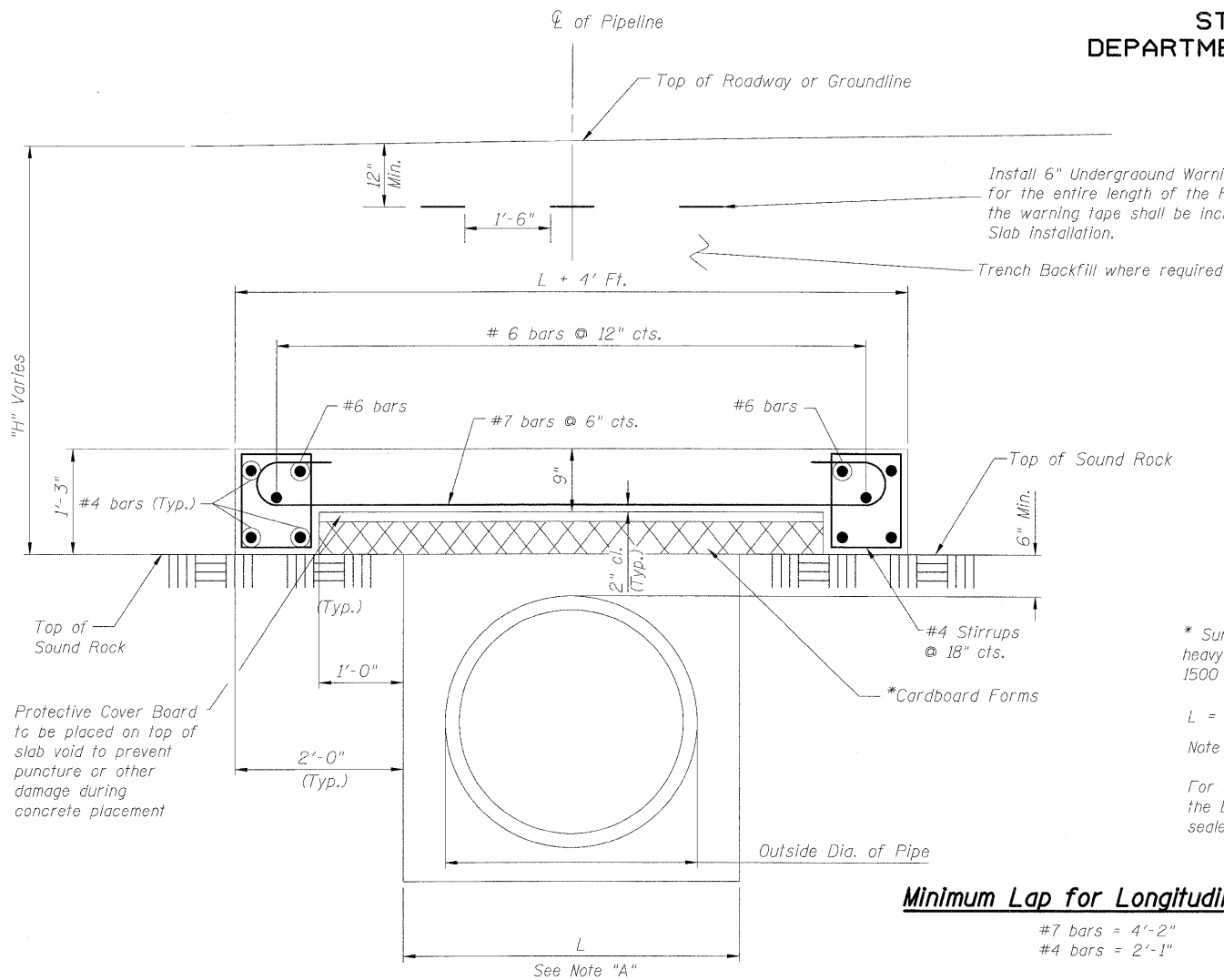


STATE OF ILLINOIS
DEPARTMENT OF TRANSPORTATION



Install 6" Underground Warning Tape - Gas (Identaline or approved equal) for the entire length of the Pipeline Protection Slab crossing. The cost of the warning tape shall be included in the cost of the Pipeline Protection Slab Installation.

Trench Backfill where required

DESIGN STRESSES

$f'c = 3500 \text{ psi}$
 $f_y = 60,000 \text{ psi (Reinforcement)}$

DESIGN LOADING

HS20-44

NOTES:

This slab has been designed for earth fill and a live load of HS20-44, if any construction equipment the Contractor uses is higher than HS20-44 he should provide the Engineer for approval a redesign of slab, sealed by a licensed Structural Engineer in Illinois.

* Surevoid Products, Inc. Slab void heavy duty strength working load of 1500 psf. End caps required or approved equal.

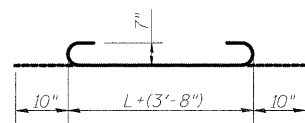
L = Clear Span = Width of Trench

Note A: Use this design for L=7'-0" or less.

For L Greater than 7'-0", Contractor should provide the Engineer for approval, a redesign of the slab, sealed by a licensed Structural Engineer in Illinois.

Minimum Lap for Longitudinal Bars

#7 bars = 4'-2"
#4 bars = 2'-1"



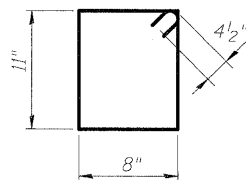
#7 Bars

Note: Tilt hook to provide the specified clearance.

****PROTECTIVE SLAB FOR EXISTING PIPELINES**

Design in accordance with title 49-Part 192 Minimum Federal Safety Standards and ASME Guide For Gas Piping Systems, Latest Edition.

**Will be paid for under the Item "Utility Protection Pad"



#4 Stirrups

DESIGNED	BKB
CHECKED	MJL
DRAWN	MJL
CHECKED	BKB

McDonough Associates Inc.
Engineers / Architects
130 East Randolph Street
Chicago, Illinois 60601
(312) 946-8600

PIPELINE PROTECTION SLAB DETAIL

SHEET NO. UD-1 SHEETS UD-1	F.A.I. RTE.	SECTION	COUNTY	TOTAL SHEETS	SHEET NO.
	55	(99-1&2) AC-3	WILL	524	299
CONTRACT NO. 60C31					
FED. ROAD DIST. NO. 1 ILLINOIS FED. AID PROJECT					