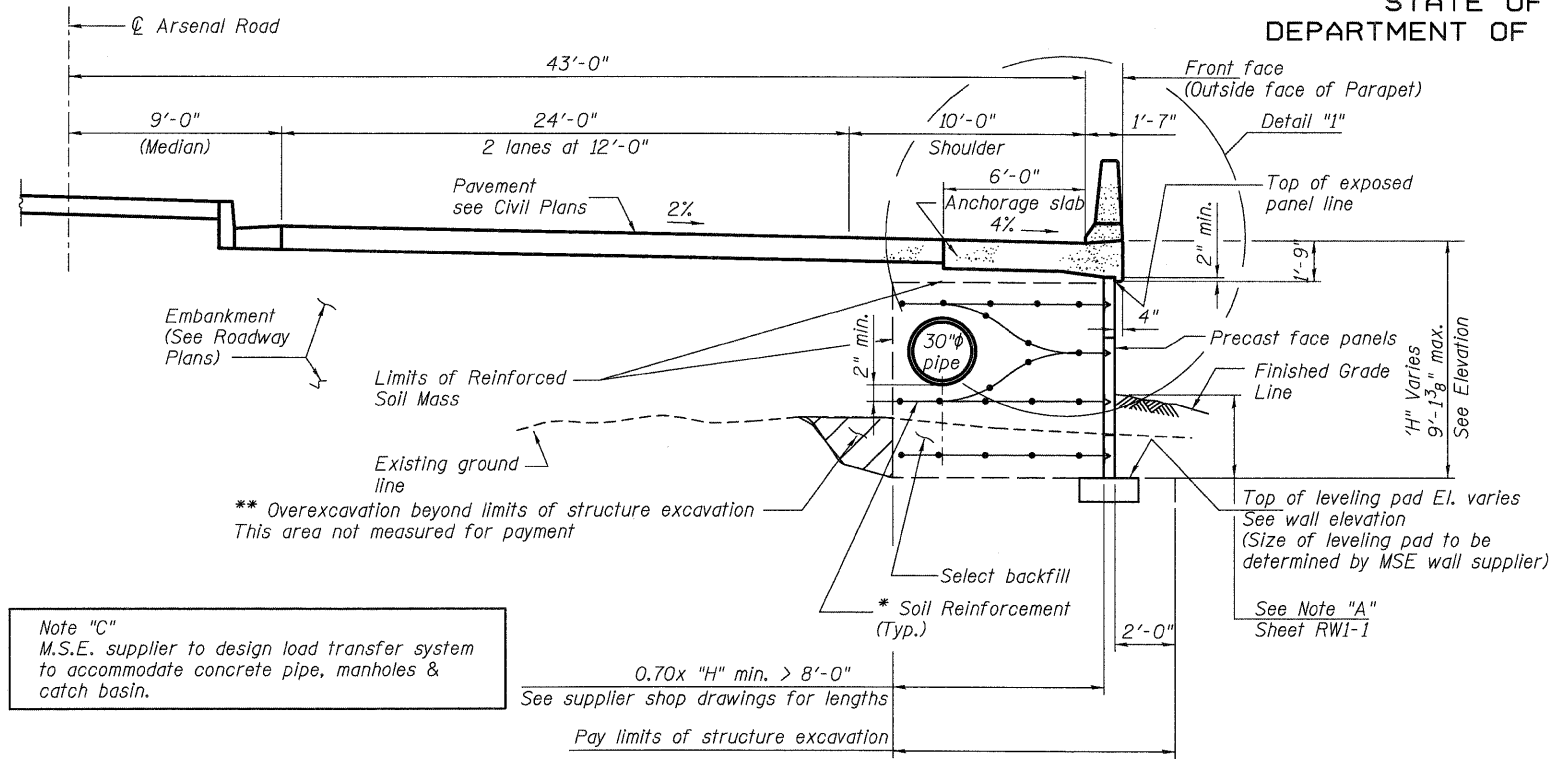
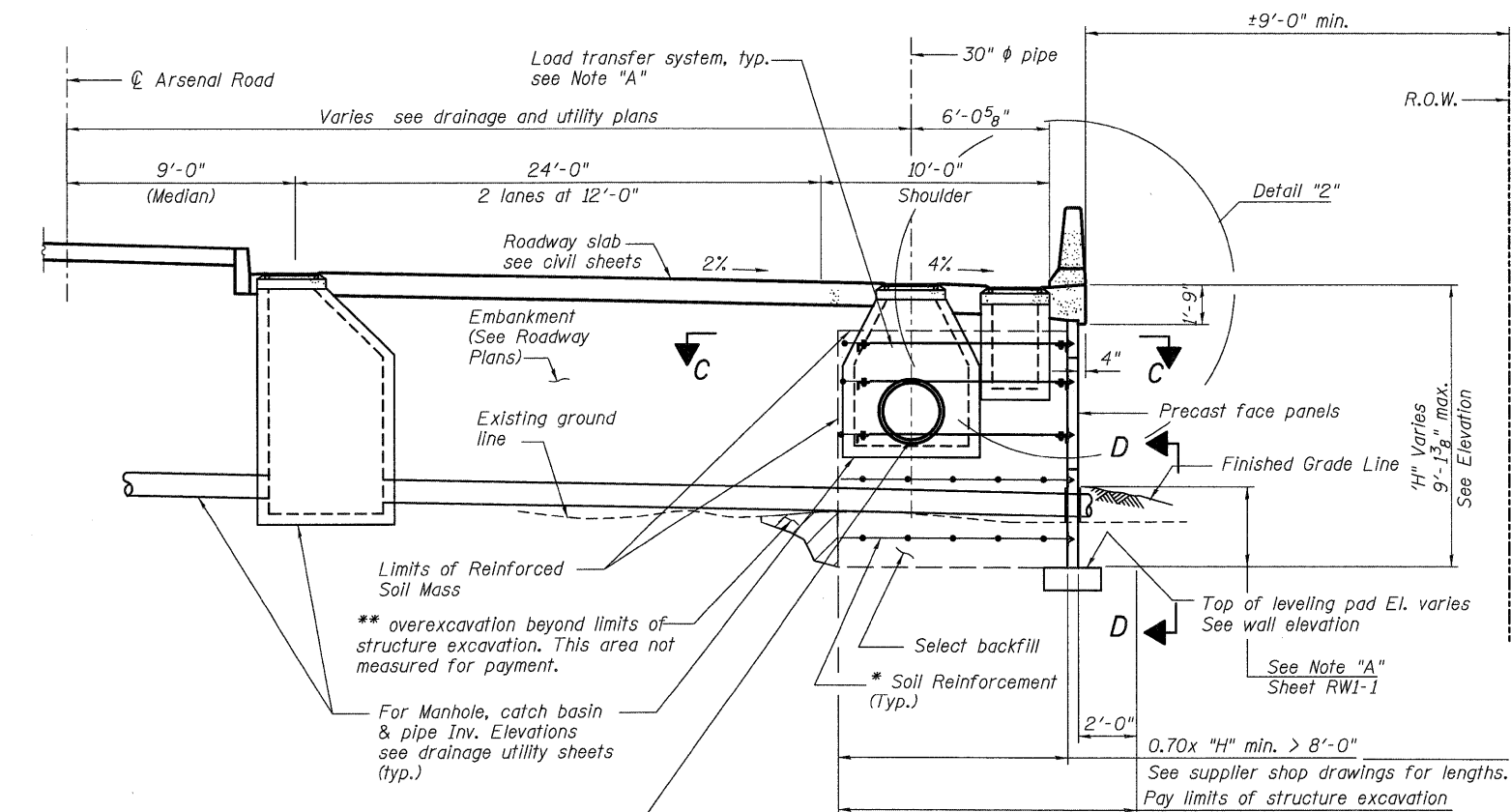


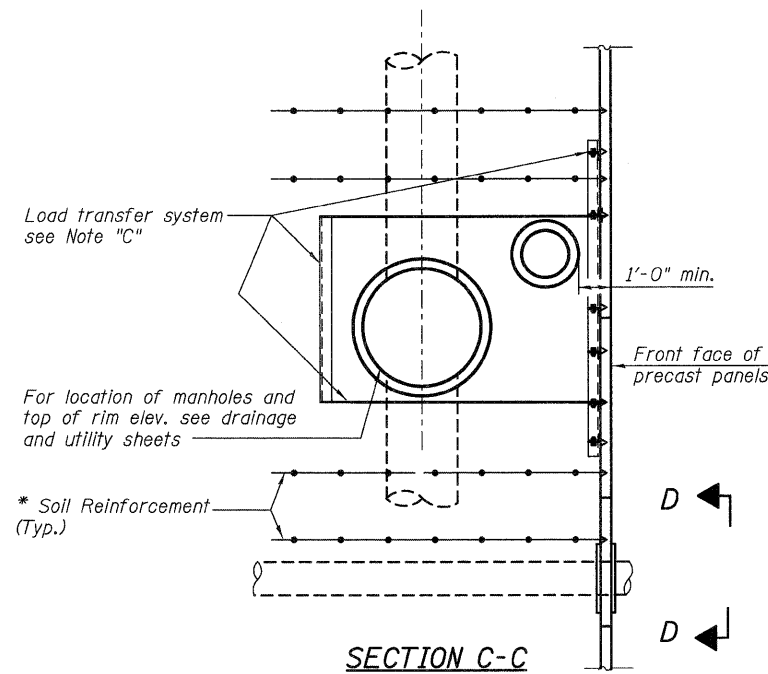
STATE OF ILLINOIS
DEPARTMENT OF TRANSPORTATION



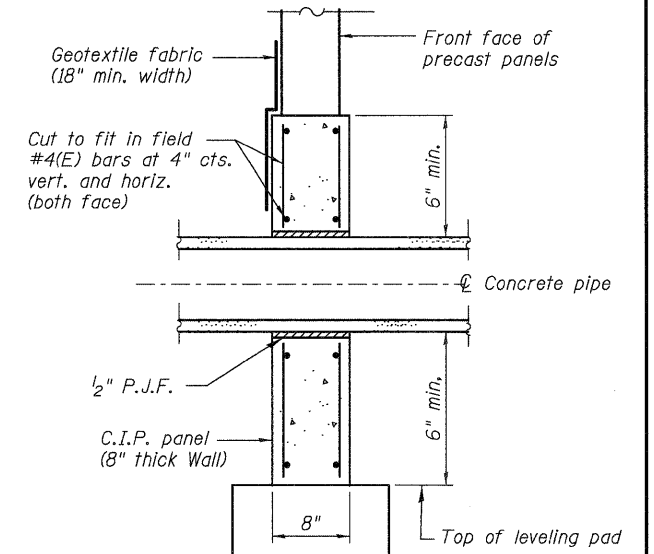
SECTION A-A



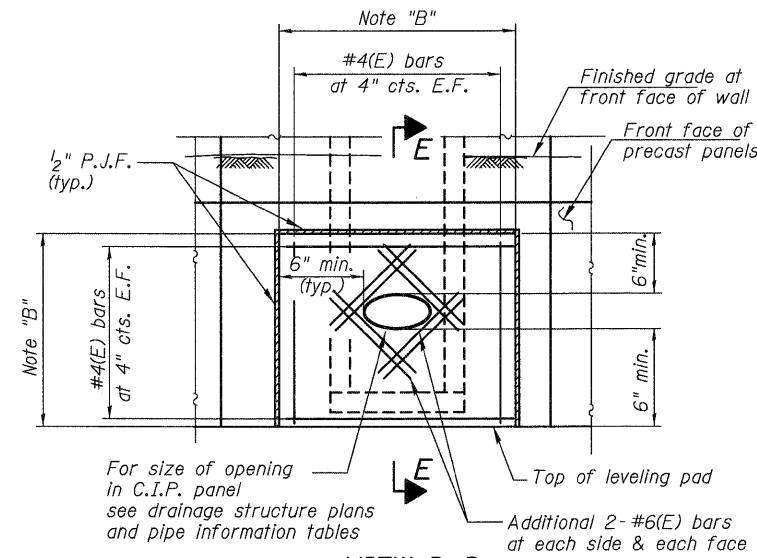
SECTION B-B



SECTION C-C



SECTION E-E
TYPICAL SECTION THROUGH C.I.P. PANEL



VIEW D-D
CAST IN PLACE (C.I.P.) PANEL ELEVATION

Note "B"
Cast-in-place panel (C.I.P.) Dimensions to be determined by Precast panel supplier.
Cost of C.I.P. panels including Reinforcement in the C.I.P. panel is included in the pay item "Mechanically Stabilized Earth Retaining Wall".

Note:
Removal of top soil & unsuitable material will be paid for under item "Removal and Disposal of unsuitable Material for Structures."

Note:
For details 1 & 2 see Sheet RWI-5.

DESIGNED	PMH
CHECKED	MJL
DRAWN	RJ
CHECKED	BKB

*The MSE wall suppliers internal stability design shall account for the anchorage slabs bearing pressure of 1.0 Ksf and horizontal sliding force of 0.5 Kips/ft. of wall.

** Backfill Overexcavation with same material as used for select fill.

McDonough Associates Inc.
Engineers / Architects
130 East Randolph Street
Chicago, Illinois 60601
(312) 946-8600

SHEET NO. RWI-4 SHEETS RWI-9	F.A.I. RTE.	SECTION	COUNTY	TOTAL SHEETS	SHEET NO.
	55	(99-1&2) AC-3	WILL	524	305
CONTRACT NO. 60C31					
FED. ROAD DIST. NO. 1 ILLINOIS FED. AID PROJECT					

SECTIONS AND DETAILS
STRUCTURE NO. 099-W026