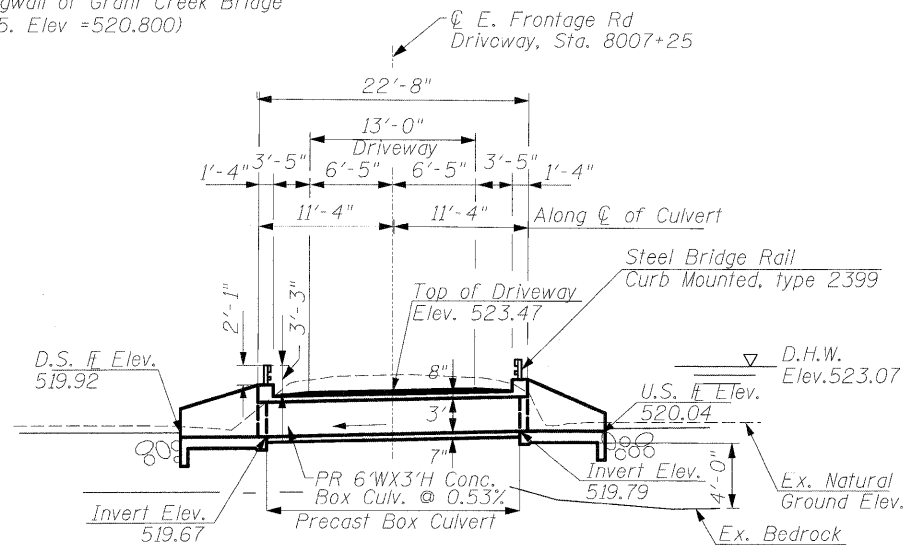
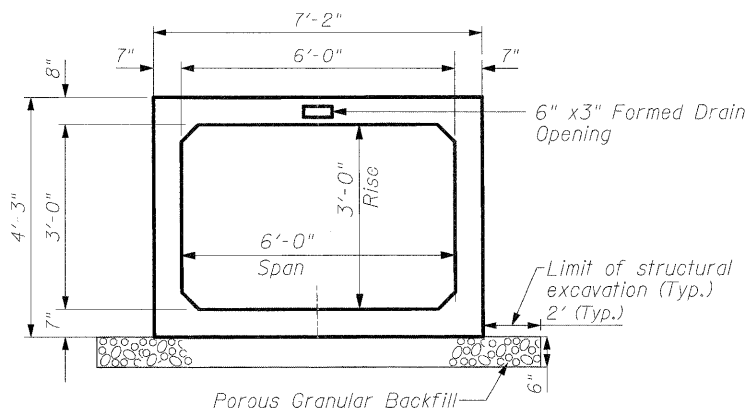


Bench Mark: BM 1
 (Box Cut at top of SE Wingwall of Grant Creek Bridge
 on E. Frontage Rd of I-55. Elev =520.800)
 Existing Structures: None

STATE OF ILLINOIS
 DEPARTMENT OF TRANSPORTATION



LONGITUDINAL SECTION
 N.T.S.



SECTION THRU BARREL
 N.T.S.

DESIGN SPECIFICATIONS

AASHTO 2002

LOADING HS-20-44

Allow 50 lbs/sq. ft. for future wearing surface.

DESIGN STRESSES

FIELD UNITS

Cast-In-Place Units

$f'_c = 3,500$ psi (Concrete)

$f_y = 60,000$ psi (Reinforcement)

Precast Units

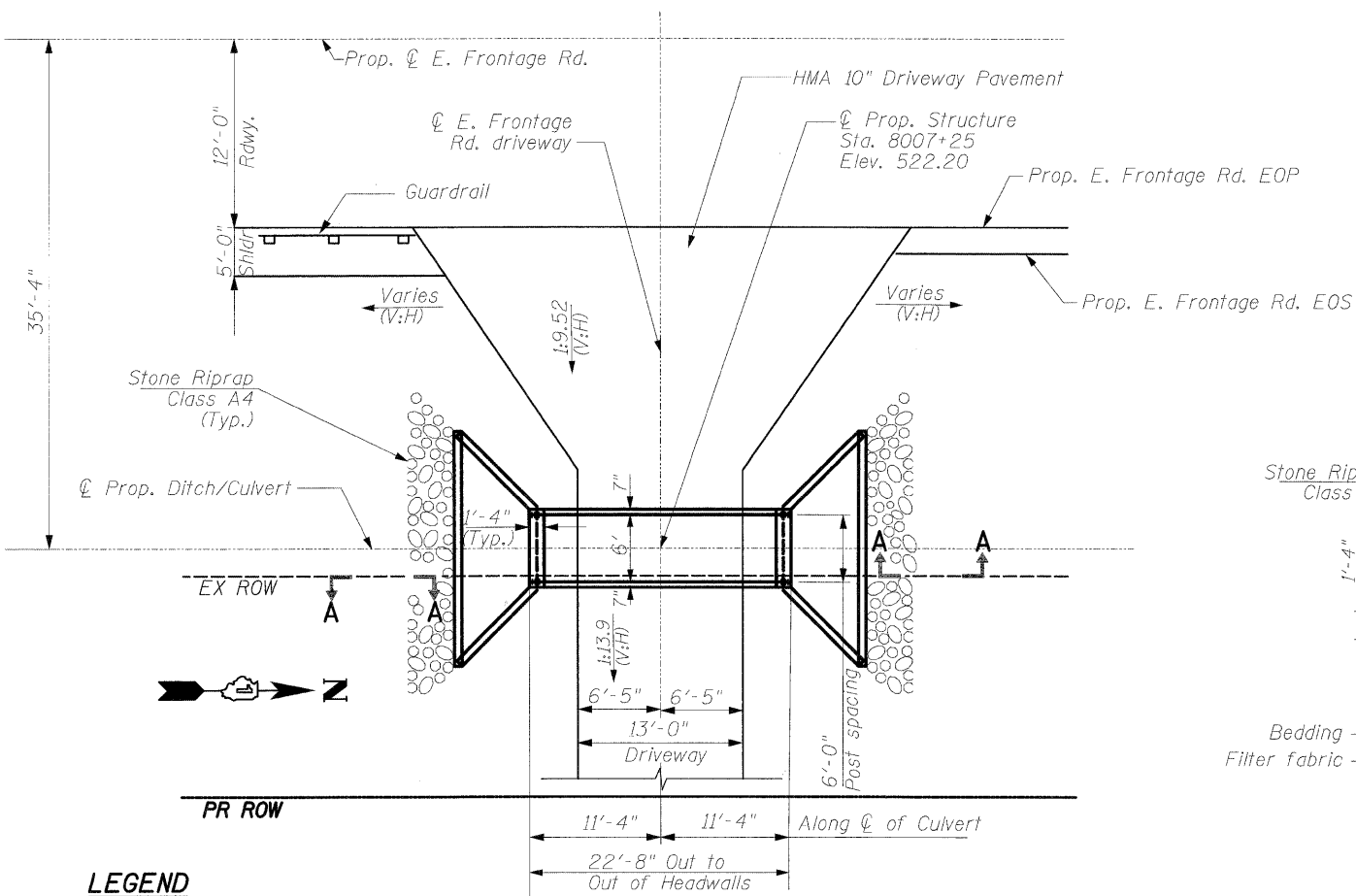
$f'_c = 5,000$ psi (Concrete)

$f_y = 65,000$ psi (Welded Wire Fabric)

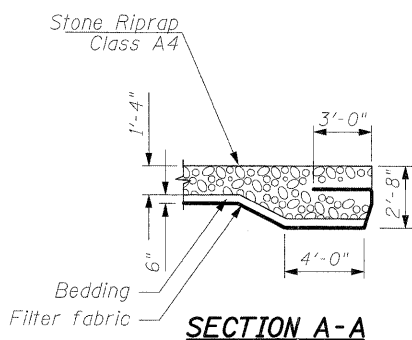
SEISMIC DATA

Seismic Performance Zone (SPC) = A
 Bedrock Acceleration Coeff.(A) = 0.04g
 Site Coefficient (S) = 1.0

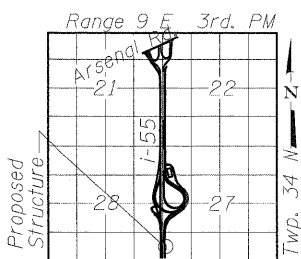
RBN-02



PLAN
 N.T.S.



SECTION A-A



LOCATION SKETCH

WATERWAY INFORMATION

Drainage Area = 0.177 sq. mi. Low Grade Elev. 525.16 @ Sta. 8007+25 E. Frontage Rd.

Flood	Freq. Yr.	Q C.F.S.	Opening Sq.Ft.		Nat. H.W.E.	Head - Ft.		Headwater El.	
			Exist.	Prop.		Exist.	Prop.	Exist.	Prop.
Design	50	91	N/A	9.7	521.91	N/A	1.16	N/A	523.07
Base	100	114	N/A	10.9	522.20	N/A	1.32	N/A	523.52
Overtopping									

**GENERAL PLAN & ELEVATION
 EAST FRONTAGE ROAD DRIVEWAY
 OVER UNNAMED DITCH
 F.A.I. ROUTE 55 - SEC. (99-1&2)AC-3
 WILL COUNTY
 STATION 8007+25
 STRUCTURE NO. 099-3034**

LEGEND

Soil Boring Location

DESIGNED	VP
CHECKED	CL
DRAWN	VP
CHECKED	SP

SINGH
 SINGH & ASSOCIATES, INC.
 CONSULTING ENGINEERS
 300 W. ADAMS ST.
 CHICAGO, IL 60606
 TEL: (312) 629-0240
 FAX: (312) 629-8449

SHEET NO.
 SHEETS

F.A.I. RTE.	SECTION	COUNTY	TOTAL SHEETS	SHEET NO.
55	(99-1&2)AC-3	WILL	524	323
Sta. 8007+25 (E. Frontage Rd.)		CONTRACT NO. 60C31		
FED. RD. DIST. NO. 1		ILLINOIS FED. AID PROJECT		

12/11/2009 10:18:13 PM 8FILES