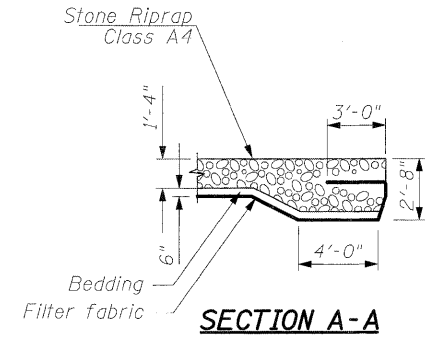
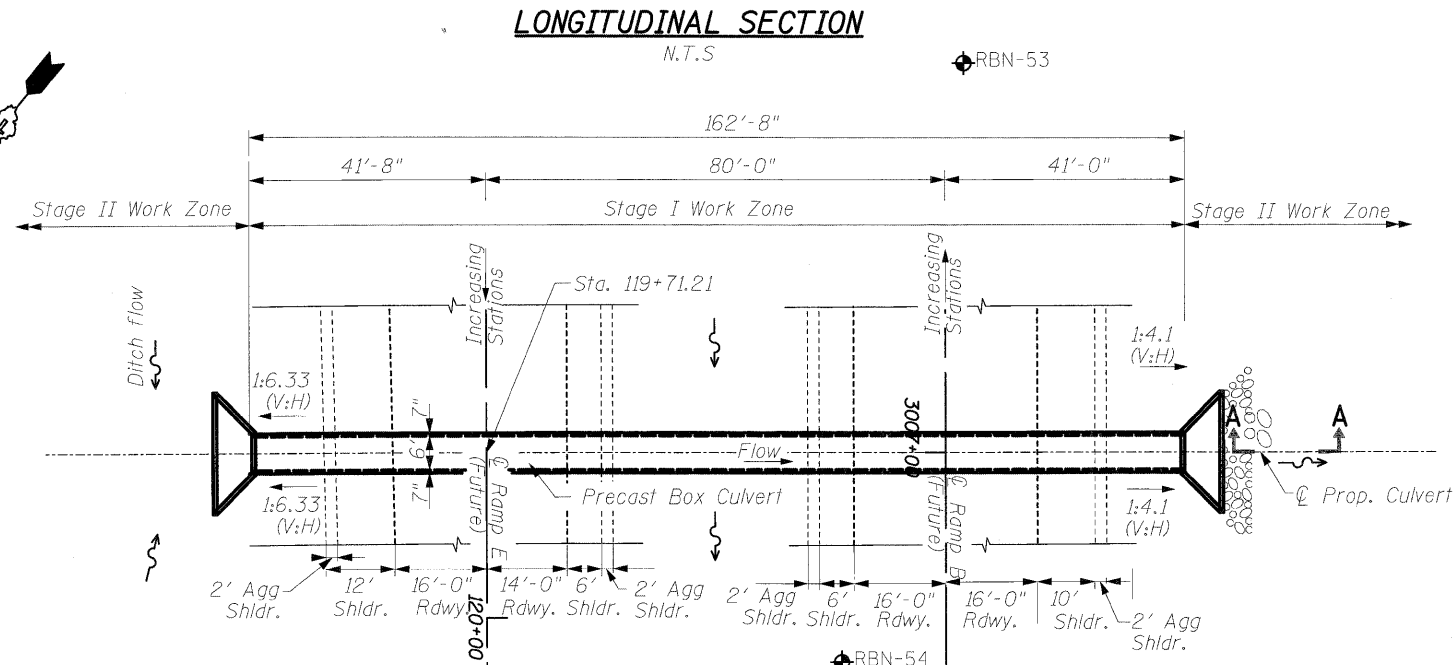
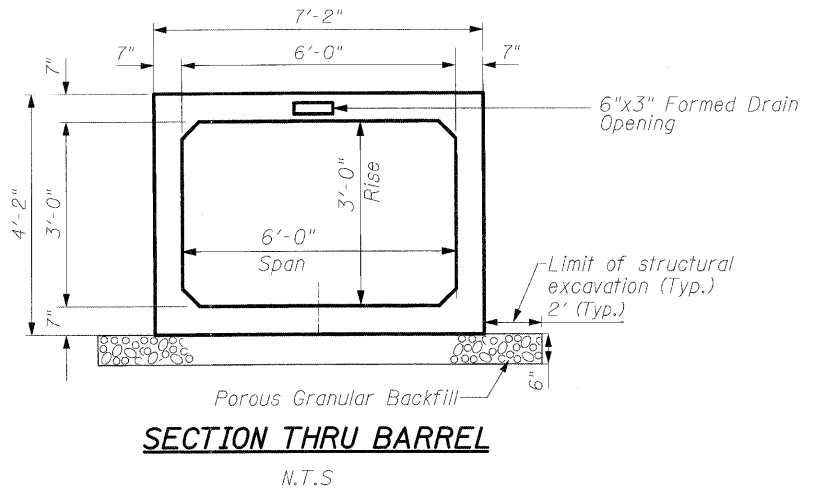
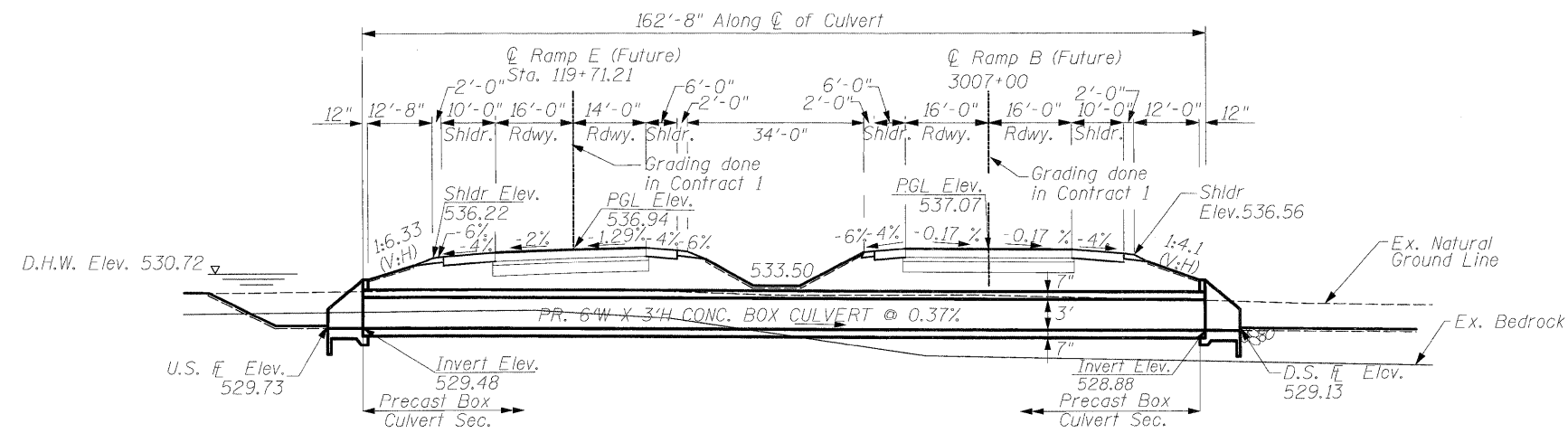


Bench Mark: BM 9
 Box Cut on S. corner of traffic handhole foundation at the SE corner
 of Arsenal Road and E. Frontage Road. Elev. = 545.485
 Existing Structures: None

STATE OF ILLINOIS
 DEPARTMENT OF TRANSPORTATION



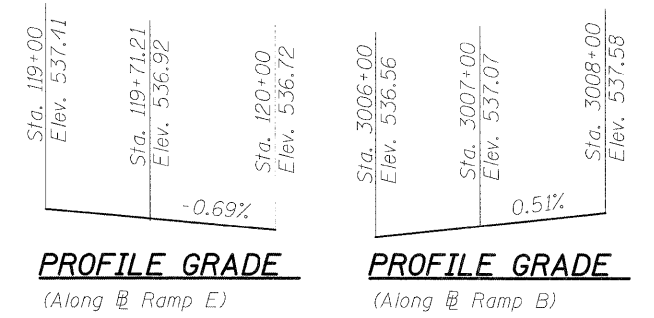
DESIGN SPECIFICATIONS
 AASHTO 2002

LOADING HS-20-44
 Allow 50 lbs/sq. ft. for future wearing surface.

DESIGN STRESSES
 FIELD UNITS
 Cast-In-Place Units
 $f'_c = 3,500$ psi (Concrete)
 $f_y = 60,000$ psi (Reinforcement)

Precast Units
 $f'_c = 5,000$ psi (Concrete)
 $f_y = 65,000$ psi (Welded Wire Fabric)

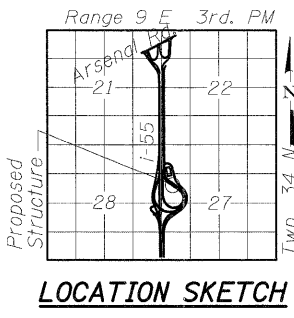
SEISMIC DATA
 Seismic Performance Zone (SPC) = A
 Bedrock Acceleration Coeff.(A) = 0.04g
 Site Coefficient (S) = 1.0



**GENERAL PLAN & ELEVATION-RAMP B
 OVER UNNAMED DITCH
 F.A.I. ROUTE 55 - SEC. (99-1&2)AC-3
 WILL COUNTY
 STATION 3007+00**

WATERWAY INFORMATION

DESIGNED VP									
CHECKED CL									
DRAWN VP									
CHECKED SP									
Drainage Area = 0.0162 sq. mi. Low Grade Elev. 536.22 @ Sta. 3007+00 Ramp B									
Flood	Freq. Yr.	Q C.F.S.	Opening Sq.Ft.		Nat. H.W.E.	Head - Ft.		Headwater El.	
			Exist.	Prop.		Exist.	Prop.	Exist.	Prop.
Design	50	24.8	N/A	4.5	530.00	N/A	0.72	N/A	530.72
Base	100	29.1	N/A	5.1	530.09	N/A	0.77	N/A	530.86
Overtopping		190.9							



SINGH
 SINGH & ASSOCIATES, INC.
 CONSULTING ENGINEERS
 300 W. ADAMS ST.
 CHICAGO, IL 60606
 TEL: (312) 629-0240
 FAX: (312) 629-8449

SHEET NO.	F.A.I. RTE.	SECTION	COUNTY	TOTAL SHEETS	SHEET NO.
	55	(99-1&2)AC-3	WILL	524	330
SHEETS	Sta. 3007+00 (Ramp B)		CONTRACT NO. 60C31		
FED. RD. DIST. NO. 1 ILLINOIS FED. AID PROJECT					

12/11/2009 10:19:20 PM 86FILE8

FINAL