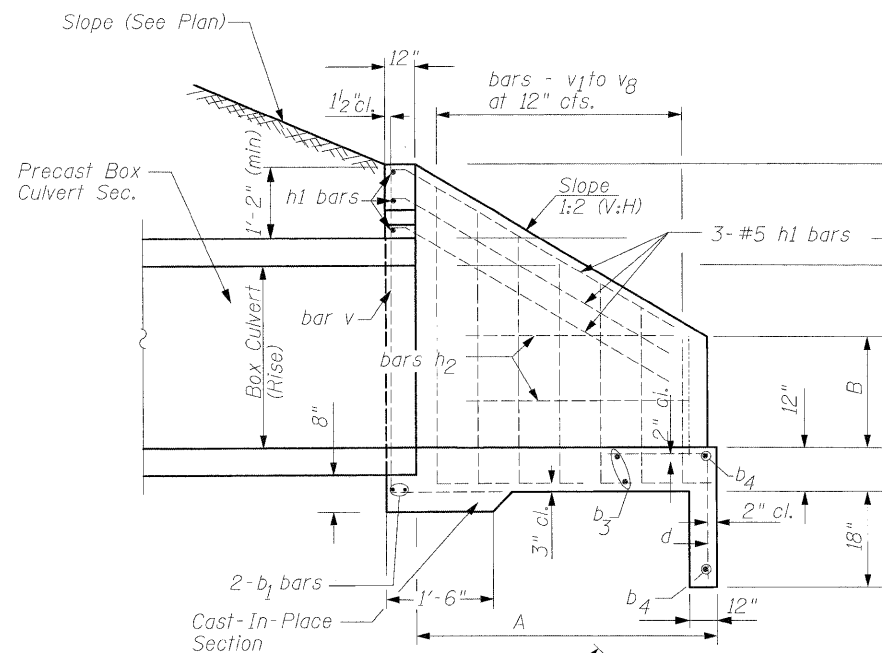


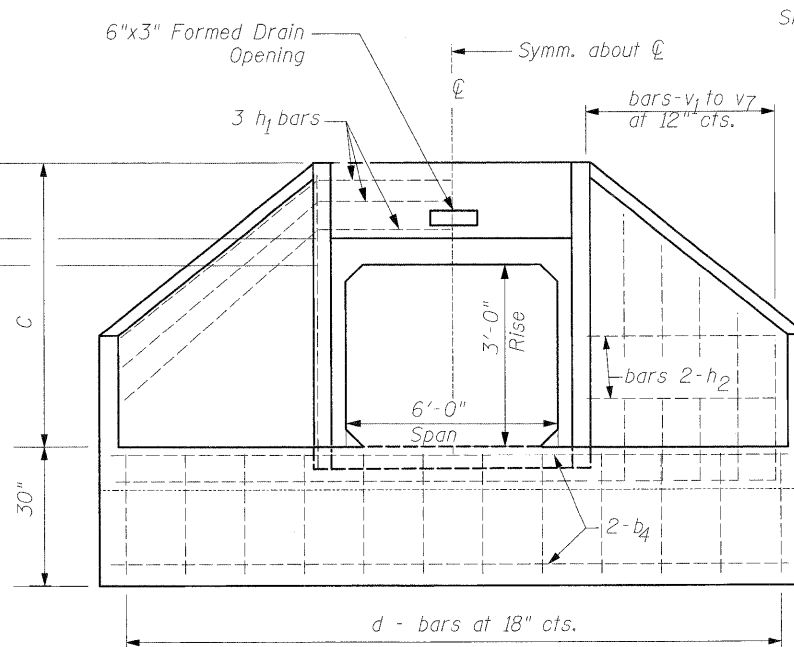
STATE OF ILLINOIS
DEPARTMENT OF TRANSPORTATION

**BARS IN ONE
END SECTION**

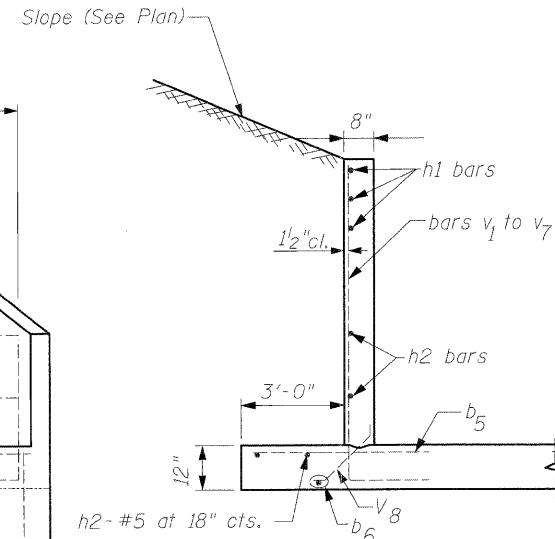
Box Culvert 6'x3'	
Bars	No.
d	12
b ₁	2
b ₂	1
b ₃	2
b ₄	2
b ₅	14
b ₆	2
h ₁	3
h ₂	4
v	2
v ₁	2
v ₂	2
v ₃	2
v ₄	2
v ₅	2
v ₆	2
v ₇	2
v ₈	14



SECTION A-A



END ELEVATION



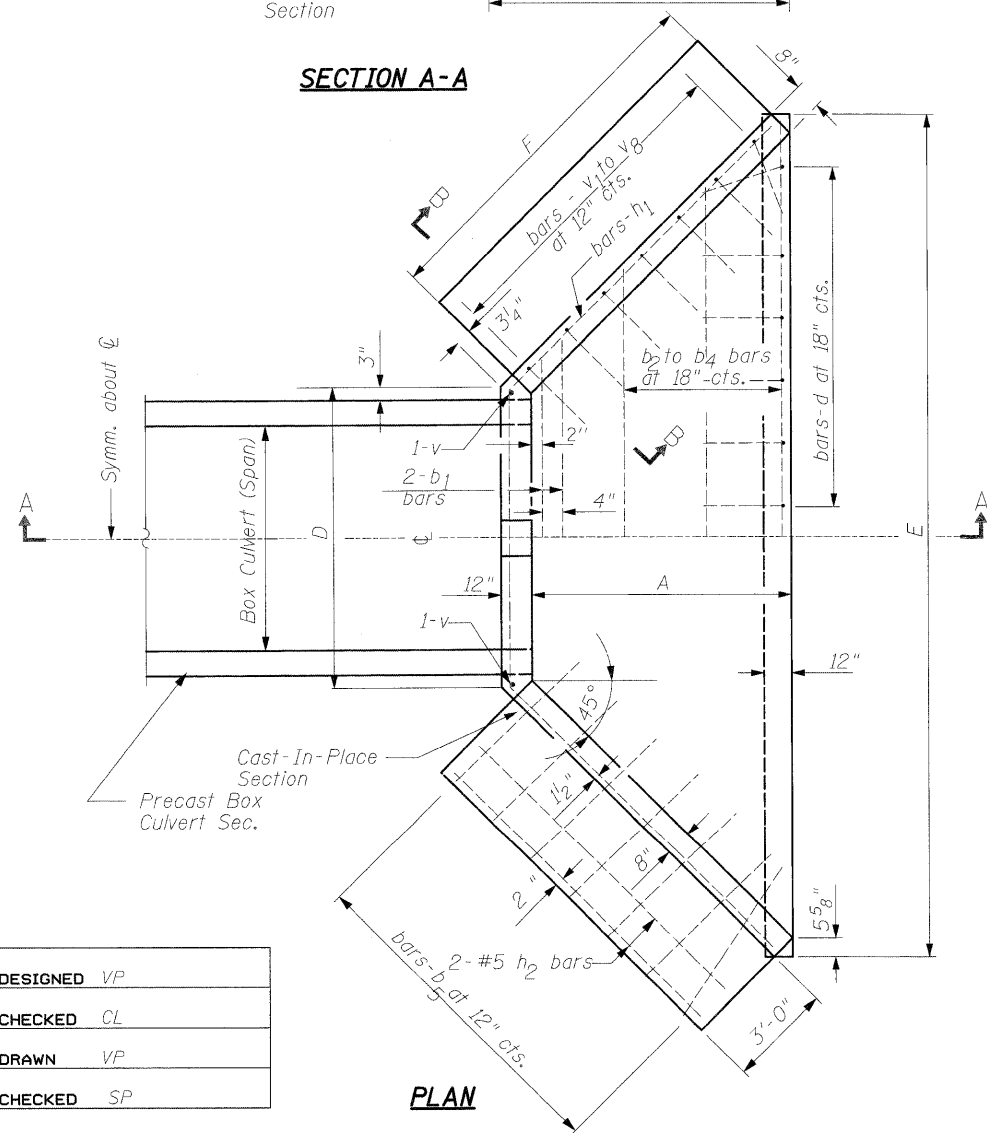
SECTION B-B

DIMENSIONS OF STRAIGHT BARS

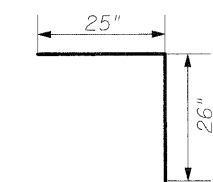
Bar	Size	Length
b ₁	No. 5	8'-0"
b ₂	No. 4	11'-0"
b ₃	No. 4	14'-0"
b ₄	No. 4	16'-8"
b ₅	No. 4	5'-0"
b ₆	No. 4	6'-3"
h ₂	No. 5	6'-6"

DIMENSIONS OF BENT BARS

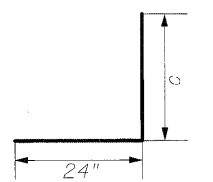
No. 5 - bars h ₁			
BARS	a	b	Total Length
h ₁	7'-8"	6'-8"	21'-0"
No. 5 - bars v to v ₇			
BARS	c	Total Length	
v	5'-1"	7'-1"	
v ₁	5'-1"	7'-1"	
v ₂	4'-9"	6'-9"	
v ₃	4'-6"	6'-6"	
v ₄	4'-2"	6'-2"	
v ₅	3'-11"	5'-11"	
v ₆	3'-8"	5'-8"	
v ₇	3'-4"	5'-4"	



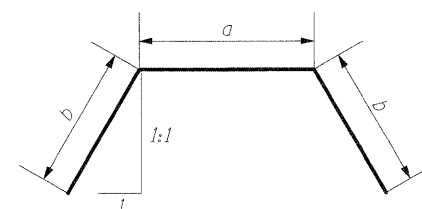
PLAN



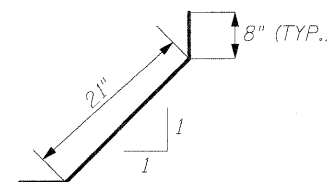
No. 4 BAR-d



BARS - v to v₇



**BARS-h₁
Bend in field**



BARS-V₈

DIMENSIONS AND QUANTITIES

Box Culvert		Slope of Wing Walls	Dimensions						Concrete for two (2) End Sections (Cu. Yd.)	Reinf. Bars for two (2) End Sections (Lbs.)
Rise	Span		A	B	C	D	E	F		
36"	72"	1:2	4'-7"	34 1/2"	4'-9"	8'-0"	17'-2"	6'-9"	15	765

NOTE:
1. Cast-In-Place Reinforced Concrete End Sections shall be constructed of Class SI concrete as per Article 503.

DESIGNED	VP
CHECKED	CL
DRAWN	VP
CHECKED	SP

SINGH
SINGH & ASSOCIATES, INC.
CONSULTING ENGINEERS

SHEET NO.
SHEETS

F.A.I. RTE. 55	SECTION (99-1&2)AC-3	COUNTY WILL	TOTAL SHEETS 524	SHEET NO. 332
Sta. 3007+00 (Ramp B)		CONTRACT NO. 60C31		
FED. RD. DIST. NO. 1 ILLINOIS FED. AID PROJECT				