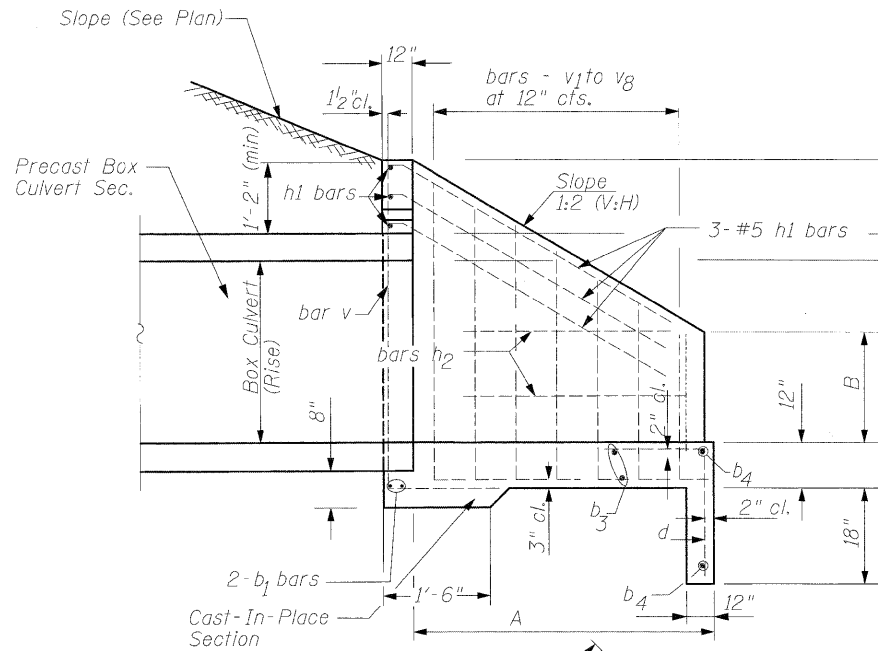


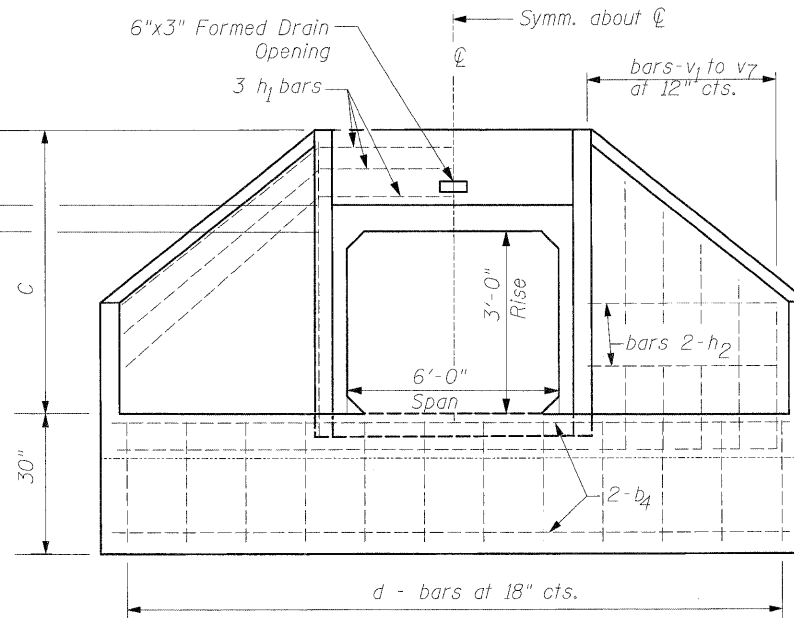
STATE OF ILLINOIS
DEPARTMENT OF TRANSPORTATION

**BARS IN ONE
END SECTION**

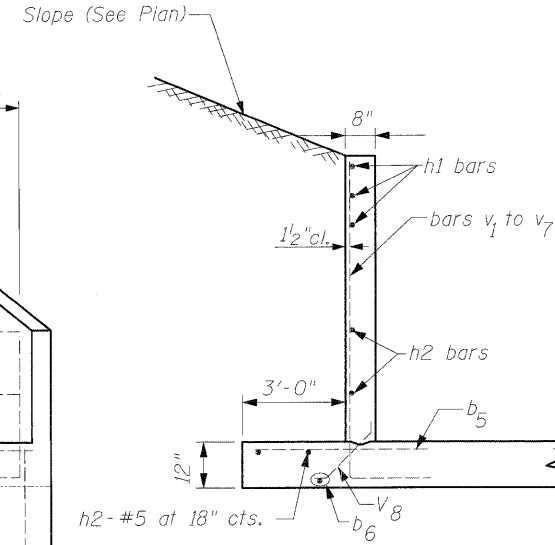
Box Culvert 6'x3'	
Bars	No.
d	12
b ₁	2
b ₂	1
b ₃	2
b ₄	2
b ₅	14
b ₆	2
h ₁	3
h ₂	4
v	2
v ₁	2
v ₂	2
v ₃	2
v ₄	2
v ₅	2
v ₆	2
v ₇	2
v ₈	14



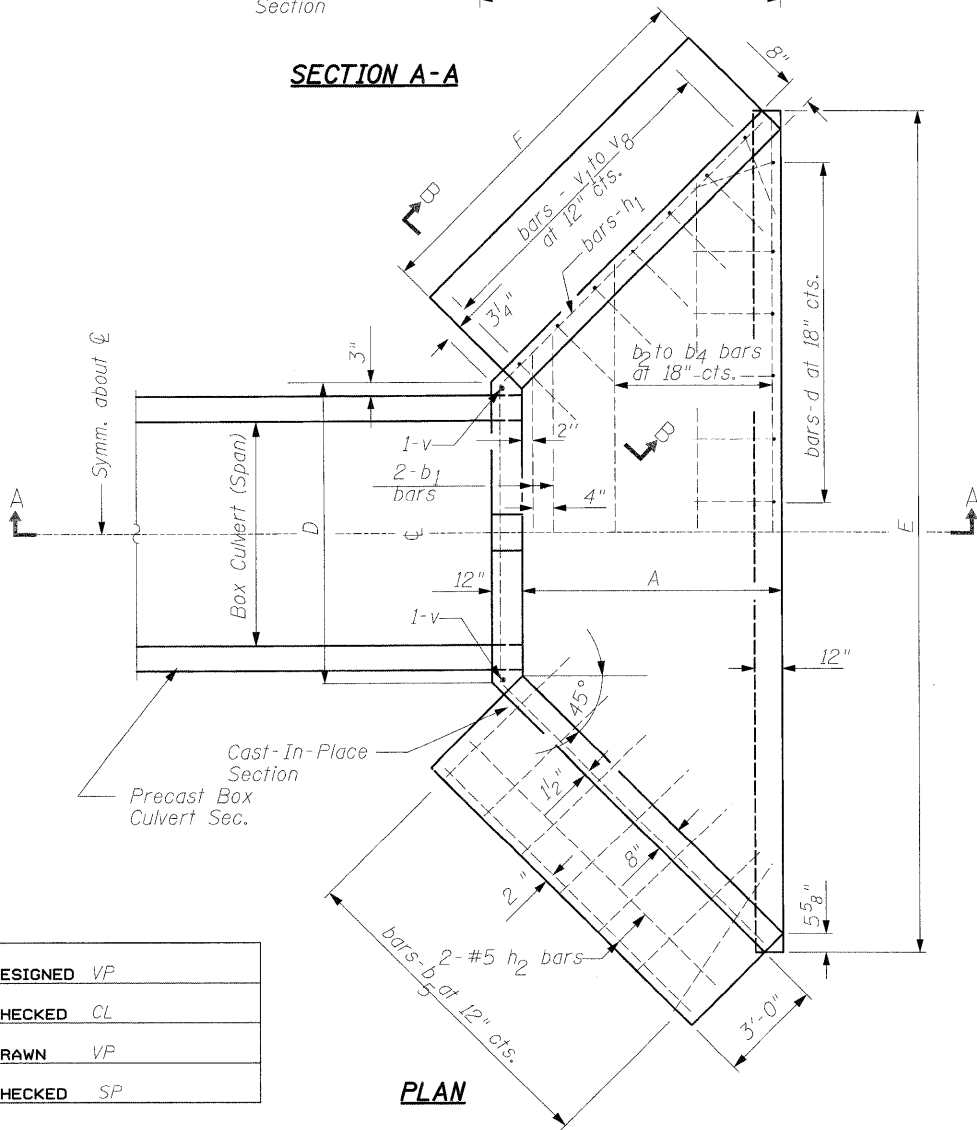
SECTION A-A



END ELEVATION



SECTION B-B



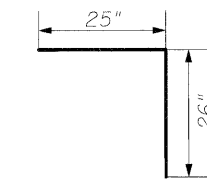
PLAN

**DIMENSIONS OF
STRAIGHT BARS**

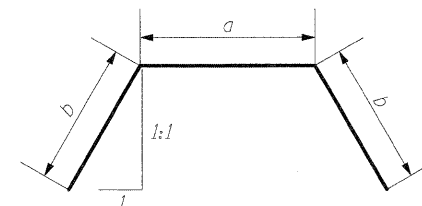
Bar	Size	Length
b ₁	No. 5	8'-0"
b ₂	No. 4	11'-0"
b ₃	No. 4	14'-0"
b ₄	No. 4	16'-8"
b ₅	No. 4	5'-0"
b ₆	No. 4	6'-3"
h ₂	No. 5	6'-6"

DIMENSIONS OF BENT BARS

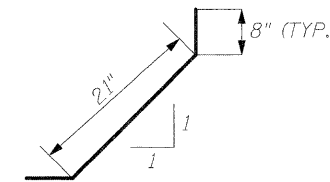
No. 5 - bars h ₁			
BARS	a	b	Total Length
h ₁	7'-8"	6'-8"	21'-0"
No. 5 - bars v to v ₇			
BARS	c	Total Length	
v	5'-1"	7'-1"	
v ₁	5'-1"	7'-1"	
v ₂	4'-9"	6'-9"	
v ₃	4'-6"	6'-6"	
v ₄	4'-2"	6'-2"	
v ₅	3'-11"	5'-11"	
v ₆	3'-8"	5'-8"	
v ₇	3'-4"	5'-4"	



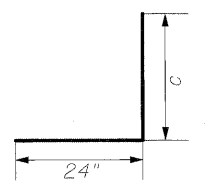
No. 4 BAR-d



BARS-h₁
Bend in field



BARS-V₈



BARS - v to v₇

DIMENSIONS AND QUANTITIES

Box Culvert Rise	Box Culvert Span	Slope of Wing Walls	Dimensions						Concrete for two (2) End Sections (Cu. Yd.)	Reinf. Bars for two (2) End Sections (Lbs.)
			A	B	C	D	E	F		
36"	72"	1:2	4'-7"	34 1/2"	4'-9"	8'-0"	17'-2"	6'-9"	15	765

NOTE:

1. Cast-In-Place Reinforced Concrete End Sections shall be constructed of Class SI concrete as per Article 503.

DESIGNED	VP
CHECKED	CL
DRAWN	VP
CHECKED	SP

SINGH CONSULTING ENGINEERS
300 W. ADAMS ST.
CHICAGO, IL 60606
TEL: (312) 629-0240
FAX: (312) 629-8449

SHEET NO.	F.A.I. RTE.	SECTION	COUNTY	TOTAL SHEETS	SHEET NO.
	55	(99-1&2)AC-3	WILL	524	335
SHEETS			CONTRACT NO. 60C31		
Sta. 2017+14 (Ramp C) ILLINOIS FED. AID PROJECT					

12/17/2009 10:49:45 PM \$FILES