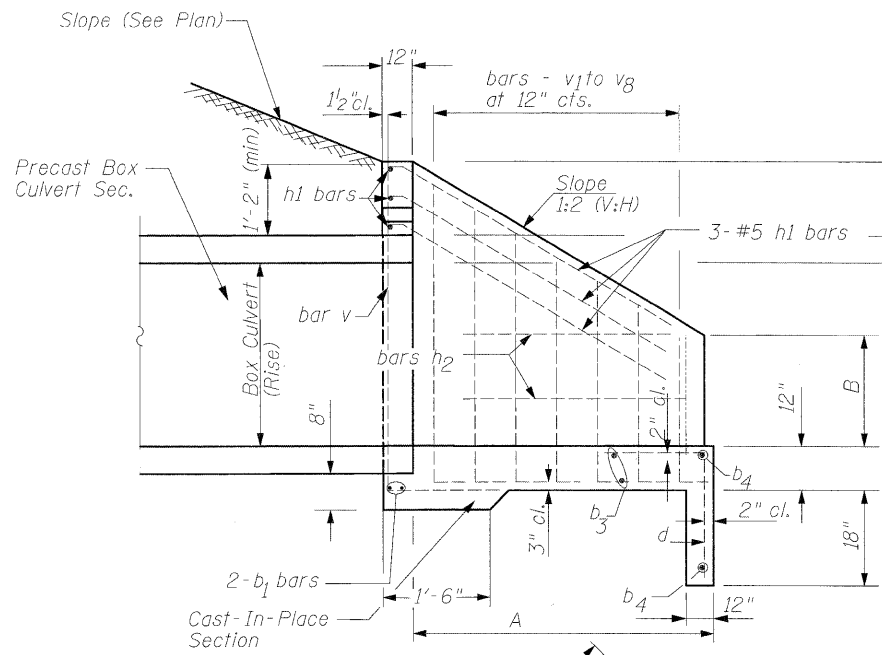


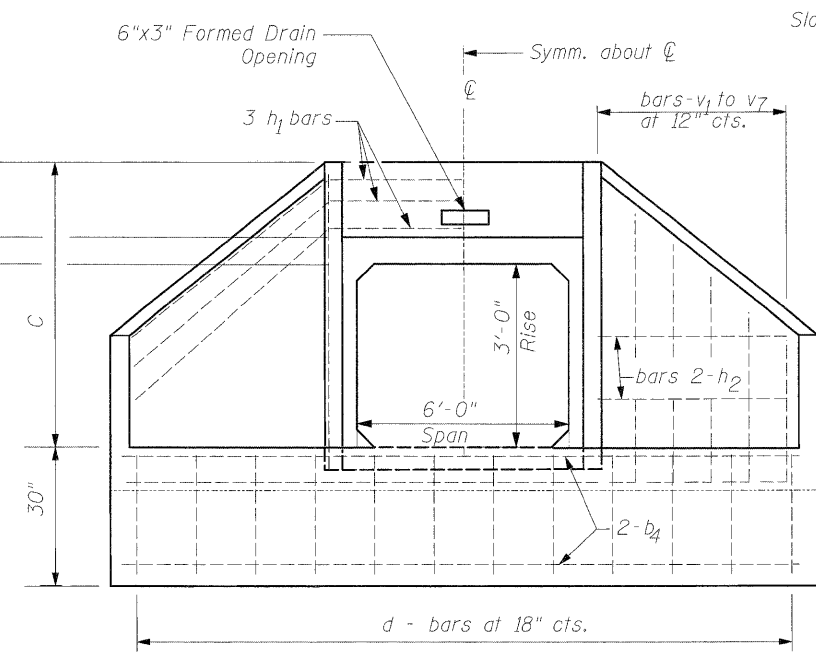
STATE OF ILLINOIS
DEPARTMENT OF TRANSPORTATION

**BARS IN ONE
END SECTION**

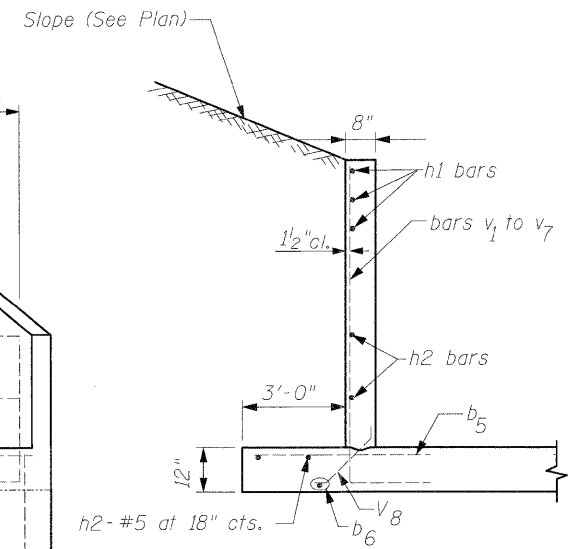
Box Culvert 6'x3'	
Bars	No.
d	12
b ₁	2
b ₂	1
b ₃	2
b ₄	2
b ₅	14
b ₆	2
h ₁	3
h ₂	4
v	2
v ₁	2
v ₂	2
v ₃	2
v ₄	2
v ₅	2
v ₆	2
v ₇	2
v ₈	14



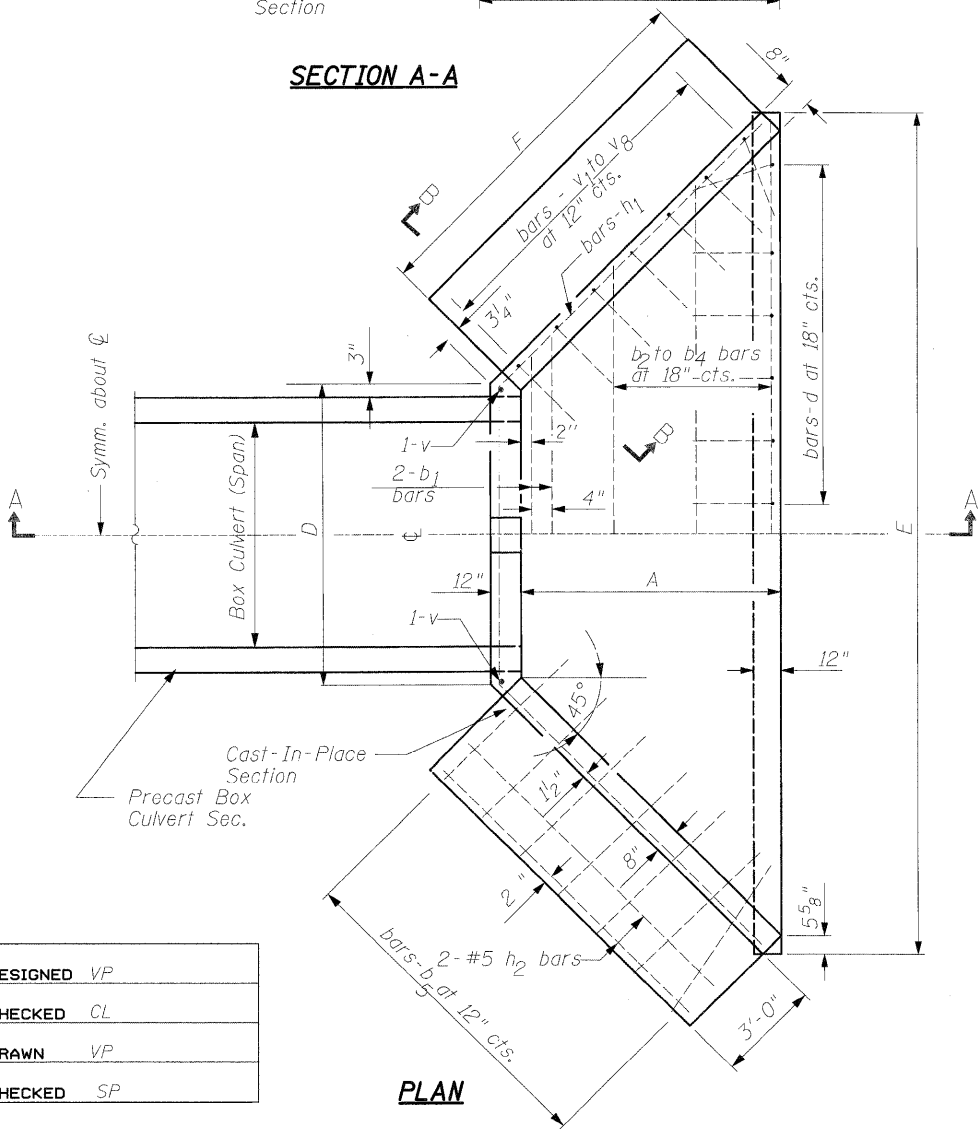
SECTION A-A



END ELEVATION



SECTION B-B



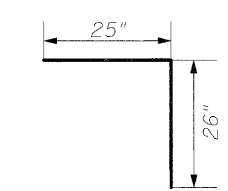
PLAN

DIMENSIONS OF STRAIGHT BARS

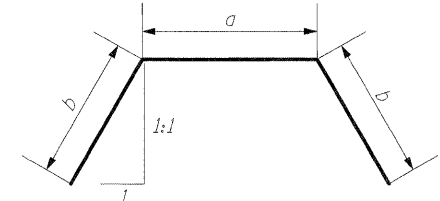
Bar	Size	Length
b ₁	No. 5	8'-0"
b ₂	No. 4	11'-0"
b ₃	No. 4	14'-0"
b ₄	No. 4	16'-8"
b ₅	No. 4	5'-0"
b ₆	No. 4	6'-3"
h ₂	No. 5	6'-6"

DIMENSIONS OF BENT BARS

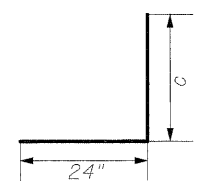
No. 5 - bars h ₁			
BARS	a	b	Total Length
h ₁	7'-8"	6'-8"	21'-0"
No. 5 - bars v to v ₇			
BARS	c	Total Length	
v	5'-1"	7'-1"	
v ₁	5'-1"	7'-1"	
v ₂	4'-9"	6'-9"	
v ₃	4'-6"	6'-6"	
v ₄	4'-2"	6'-2"	
v ₅	3'-11"	5'-11"	
v ₆	3'-8"	5'-8"	
v ₇	3'-4"	5'-4"	



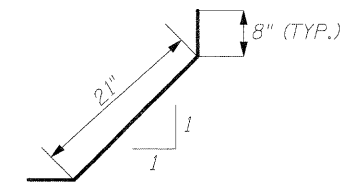
No. 4 BAR-d



BARS-h₁
Bend in field



BARS - v to v₇



BARS-V₈

DIMENSIONS AND QUANTITIES

Box Culvert		Slope of Wing Walls	Dimensions						Concrete for two (2) End Sections (Cu. Yd.)	Reinf. Bars for two (2) End Sections (Lbs.)
Rise	Span		A	B	C	D	E	F		
36"	72"	1:2	4'-7"	34 1/2"	4'-9"	8'-0"	17'-2"	6'-9"	15	765

NOTE:
1. Cast-In-Place Reinforced Concrete End Sections shall be constructed of Class SI concrete as per Article 503.

DESIGNED	VP
CHECKED	CL
DRAWN	VP
CHECKED	SP

SINGH 300 W. ADAMS ST.
CHICAGO, IL 60606
SINGH & ASSOCIATES, INC. TEL: (312) 629-0240
CONSULTING ENGINEERS FAX: (312) 629-8449

SHEET NO. SHEETS	F.A.I. RTE. 55	SECTION (99-1&2)AC-3	COUNTY WILL	TOTAL SHEETS 524	SHEET NO. 338
	Sta. 2032+25 (Ramp C)		CONTRACT NO. 60C31		
FED. RD. DIST. NO. 1 ILLINOIS FED. AID PROJECT					

12/11/2005 10:20:01 PM \$FILE\$

FINAL