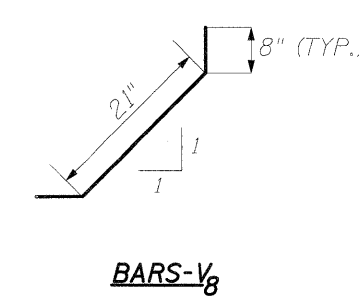
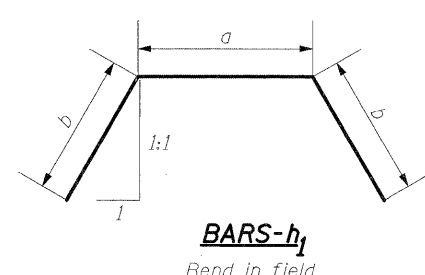
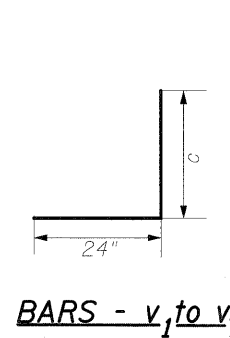
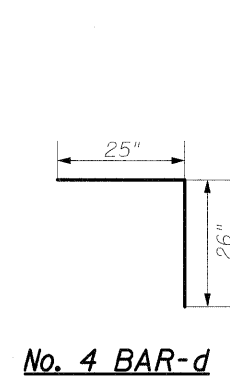
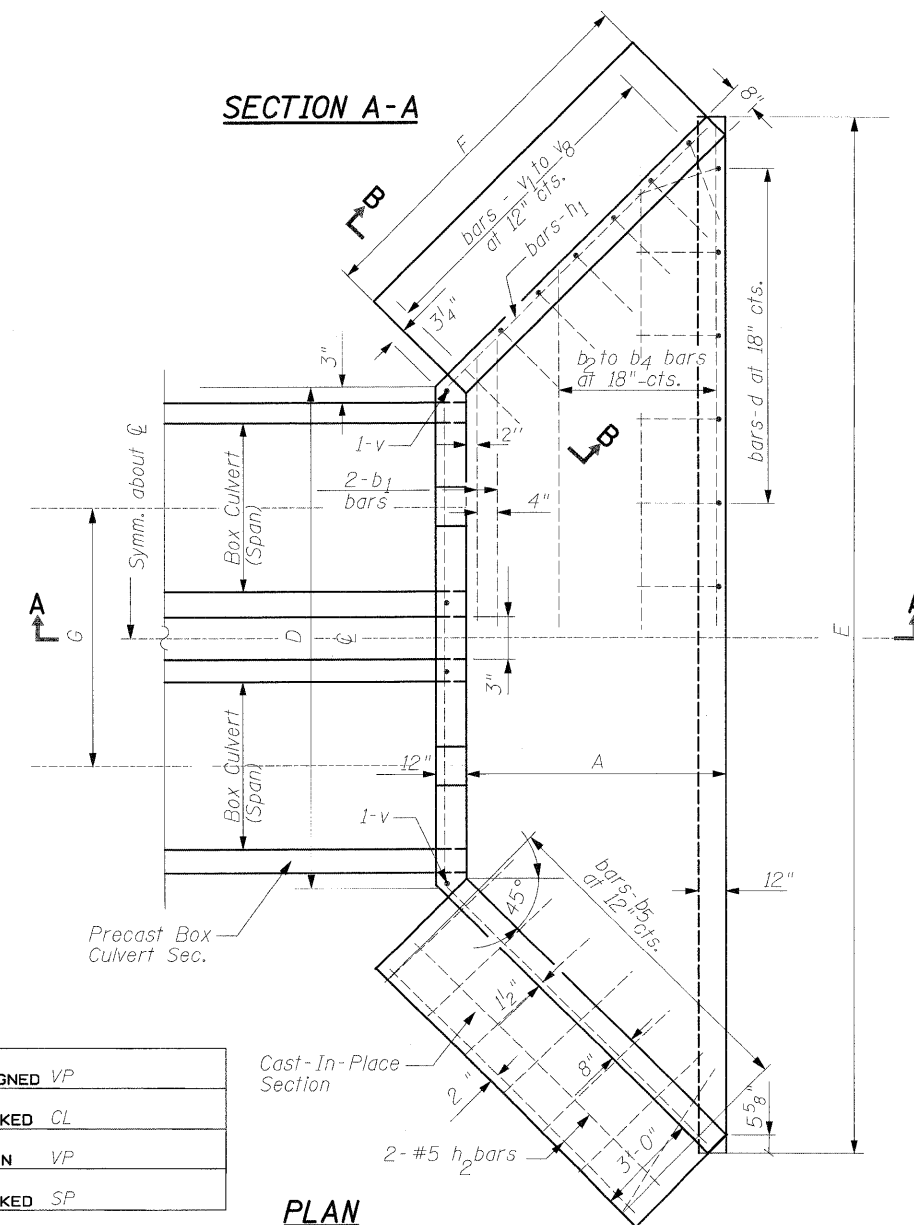
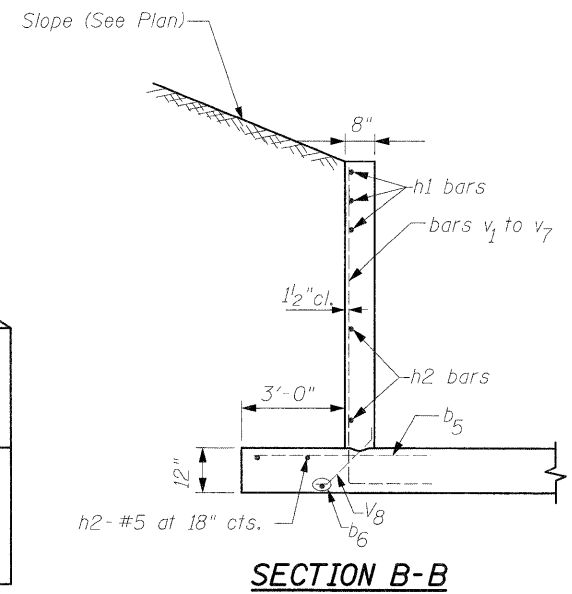
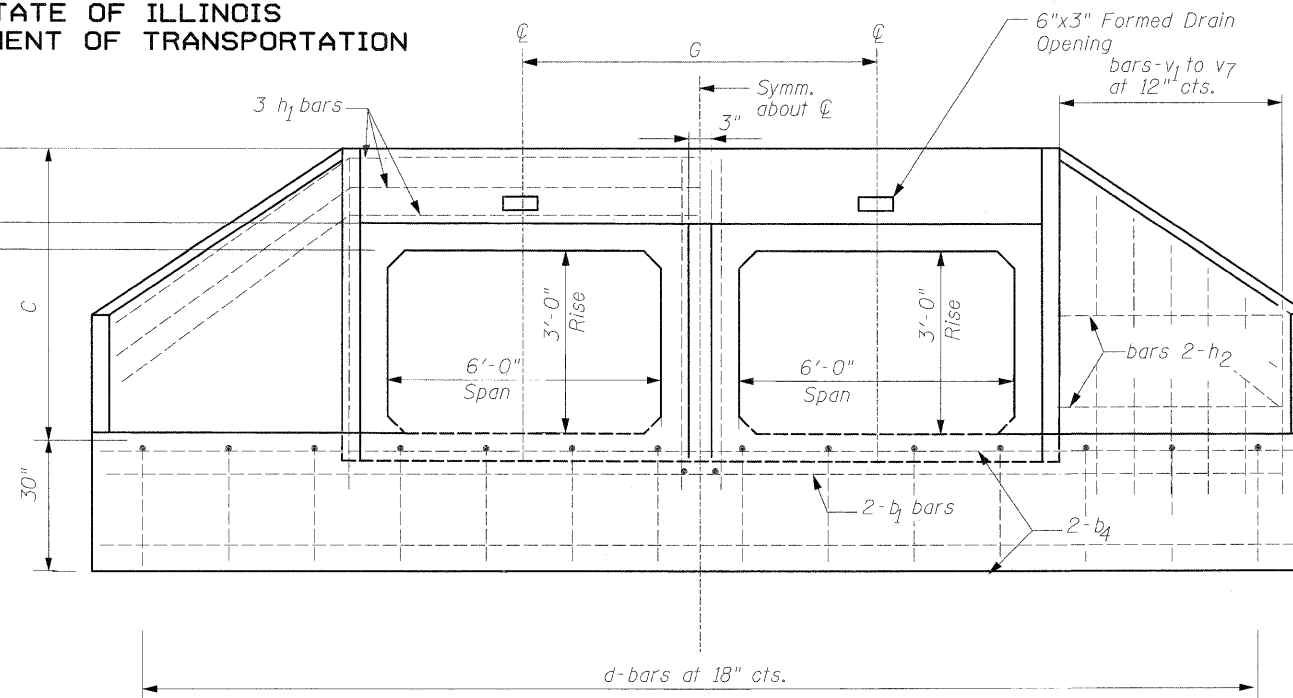
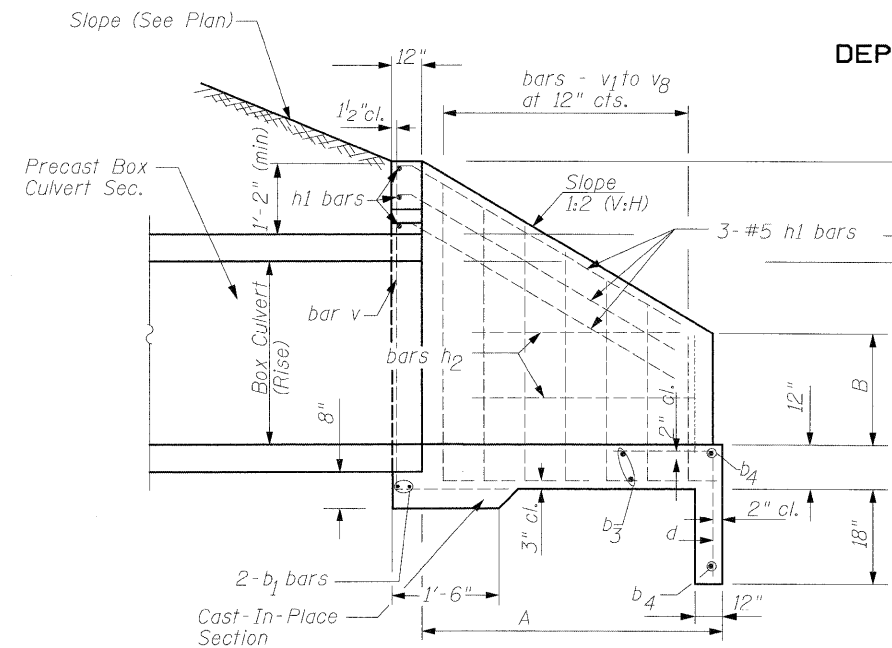


STATE OF ILLINOIS
DEPARTMENT OF TRANSPORTATION



BARS IN ONE END SECTION

Box Culvert 6'x3'	Bars	No.
	d	17
	b1	2
	b2	1
	b3	2
	b4	2
	b5	14
	b6	2
	h1	3
	h2	4
	v	4
	v1	2
	v2	2
	v3	2
	v4	2
	v5	2
	v6	2
	v7	2
	v8	14

DIMENSIONS OF STRAIGHT BARS

Bar	Size	Length
b1	No. 5	14'-11"
b2	No. 4	17'-11"
b3	No. 4	20'-11"
b4	No. 4	23'-11"
b5	No. 4	5'-11"
b6	No. 4	6'-3"
h2	No. 5	6'-11"

DIMENSIONS OF BENT BARS

No. 5 - bars h1			
BARS	a	b	Total Length
h1	14'-7"	6'-8"	27'-11"

No. 5 - bars v to v7		
BARS	c	Total Length
v	5'-1"	7'-1"
v1	5'-1"	7'-1"
v2	4'-9"	6'-9"
v3	4'-6"	6'-6"
v4	4'-2"	6'-2"
v5	3'-11"	5'-11"
v6	3'-8"	5'-8"
v7	3'-4"	5'-4"

DIMENSIONS AND QUANTITIES

Box Culvert	Slope of Wing Walls	Dimensions							Concrete for two (2) End Sections (Cu. Yd.)	Reinf. Bars for two (2) End Sections (Lbs.)	
		Rise	Span	A	B	C	D	E			F
36"	72"	1:2	4'-7"	34 1/2"	4'-9"	14'-9"	23'-11"	6'-9"	7'-3"	40	925

NOTE:
1. Cast-In-Place Reinforced Concrete End Sections shall be constructed of Class SI as per Article 503.

SINGH
SINGH & ASSOCIATES, INC.
CONSULTING ENGINEERS

300 W. ADAMS ST.
CHICAGO, IL 60606
TEL: (312) 629-0240
FAX: (312) 629-8449

SHEET NO.	F.A.I. RTE.	SECTION	COUNTY	TOTAL SHEETS	SHEET NO.
	55	(99-1&2)AC-3	WILL	524	341
Stg. 4005+00 (Ramp D)			CONTRACT NO. 60C31		
FED. RD. DIST. NO. 1		ILLINOIS FED. AID PROJECT			

12/14/2009 2:19:09 PM \$FILES\$

DESIGNED	VP
CHECKED	CL
DRAWN	VP
CHECKED	SP

PLAN