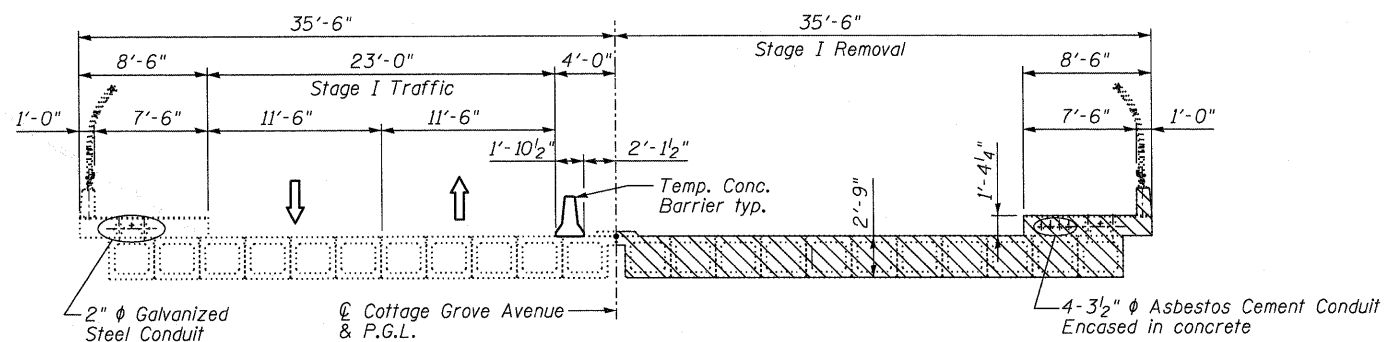
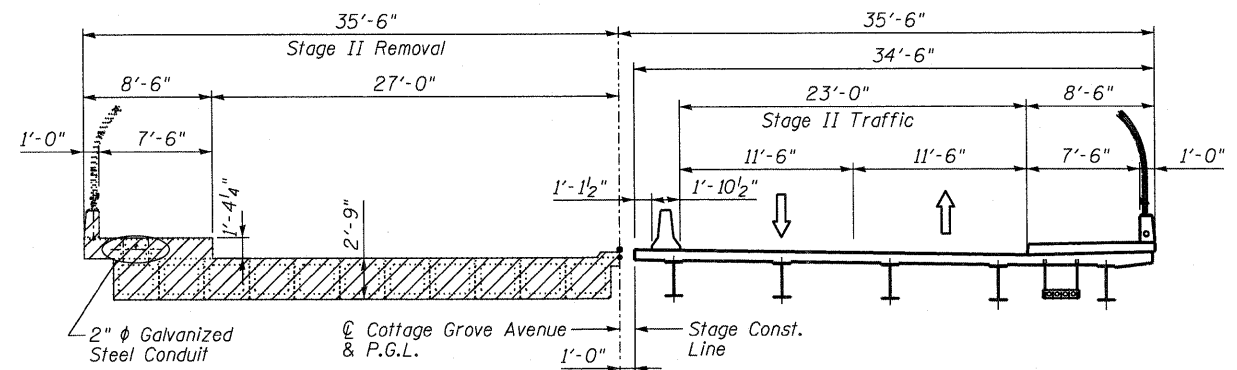


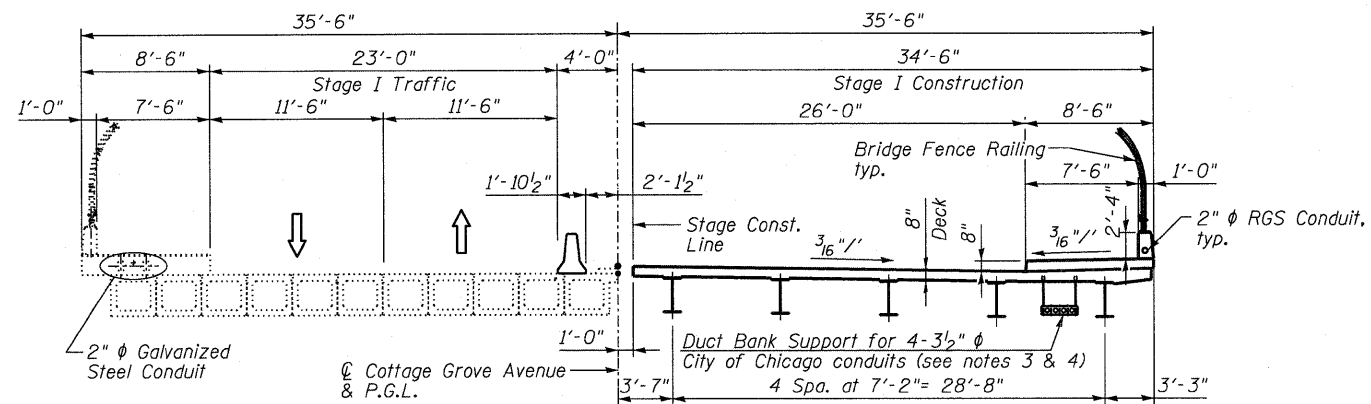
STATE OF ILLINOIS  
DEPARTMENT OF TRANSPORTATION



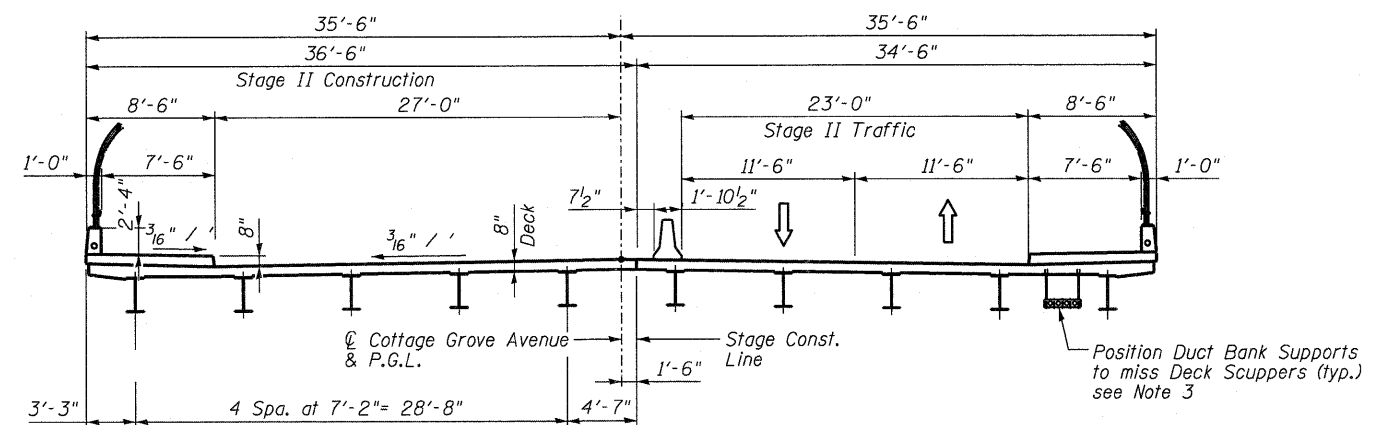
**STAGE I DEMOLITION**  
(Looking North)



**STAGE II DEMOLITION**  
(Looking North)



**STAGE I CONSTRUCTION**  
(Looking North)



**STAGE II CONSTRUCTION**  
(Looking North)

**Notes:**

1. See sheet S46 for Temp. Concrete Barrier.
2. See Roadway plans for Temporary Concrete Barrier quantities.
3. For Duct Bank Supports details see sheet S13.
4. For City of Chicago conduits details see Electrical Plans sheets E2 and E5.

DESIGNED	EV
CHECKED	PC
DRAWN	JCP
CHECKED	JPO

**STAGE CONSTRUCTION DETAILS**  
**STRUCTURE NO. 016-2119**

	SHEET NO. S3	F.A.I. RTE.	SECTION	COUNTY	TOTAL SHEETS	SHEET NO.
	S52 SHEETS	94	1314B-1	COOK	110	39
600 WEST FULTON STREET CHICAGO, ILLINOIS 80661-1259				TEL 312 454 9100 FAX 312 559 1217 WEB www.epsteinglobal.com		CONTRACT NO. 60F65 ILLINOIS FED. AID PROJECT