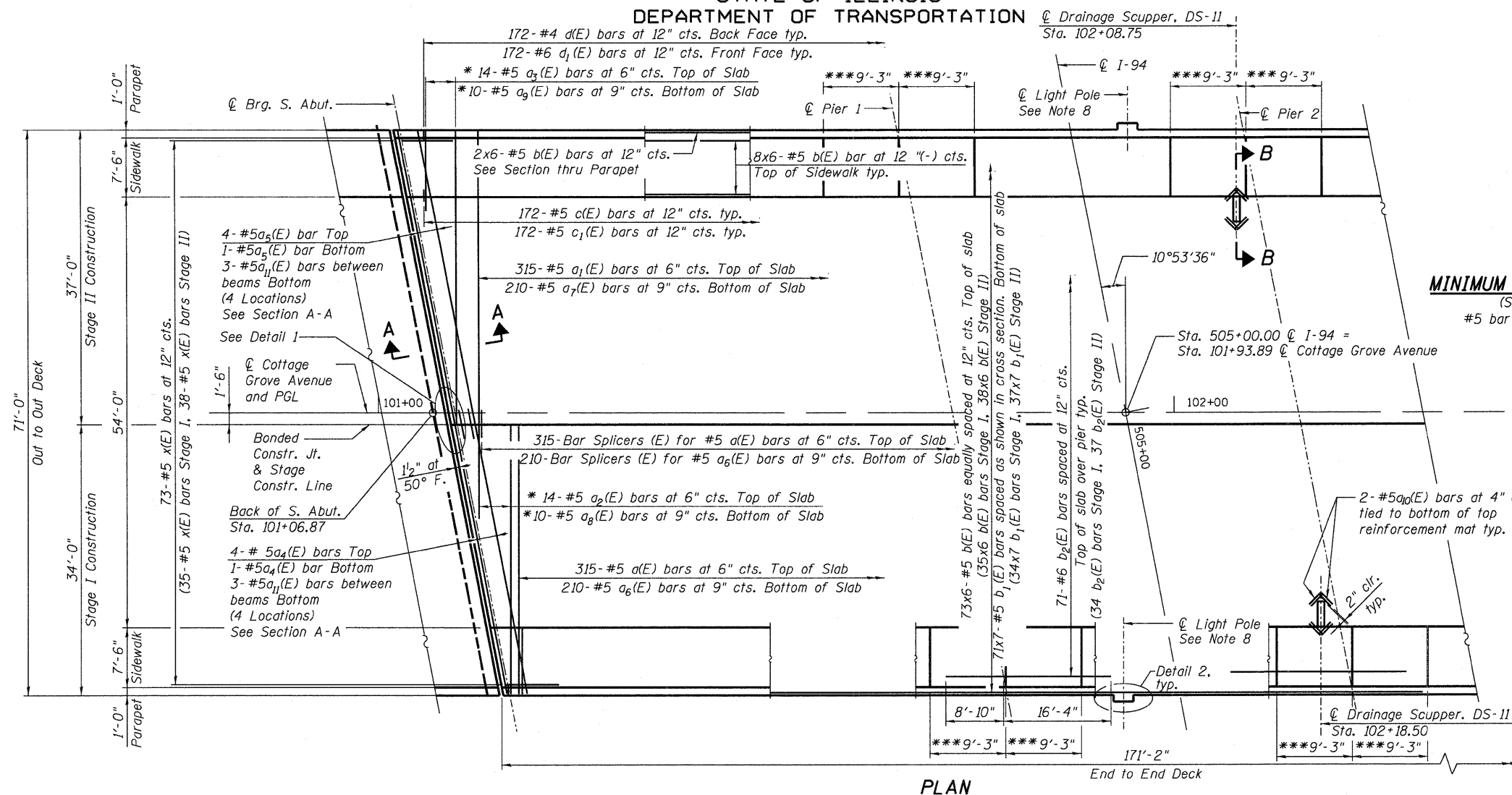


STATE OF ILLINOIS
DEPARTMENT OF TRANSPORTATION

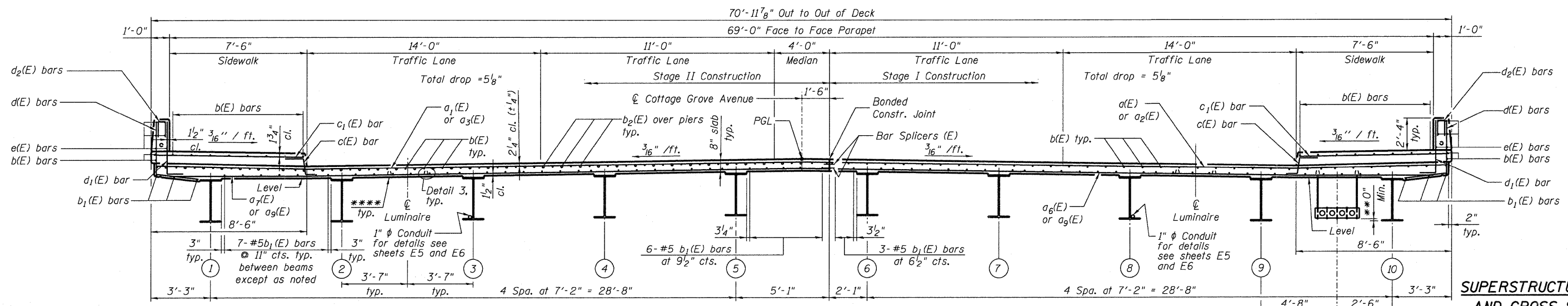


* Order $a_2(E)$, $a_3(E)$, $a_6(E)$ & $a_9(E)$ bars full length. Cut to fit skew and use remainder of bars in opposite end.
*** $\frac{1}{4} \times \frac{3}{4}$ " Formed Joint with concrete sealer (full width along joint - backer rod not required). Cost included with Concrete Superstructure see sheet S14 for details

MINIMUM BAR LAP
(Slab)
#5 bar = 3'-3"

- Notes:
1. For section thru sidewalk, parapet elevation, Section B-B, bar bending diagrams, and Bill of Material, see sheet S14.
 2. For Section A-A, Details 1 thru 3 and Conduit Bank Support Detail, see sheet S13.
 3. Bars indicated thus 20 x 3-#5 etc. indicates 20 lines of bars with 3 lengths per line.
 4. Cut longitudinal reinforcement to clear drainage scuppers.
 5. For Bar Splicer (E) details, see sheet S45.
 6. For preformed joint strip detail, see sheet S24.
 7. For drainage plan and detail, see sheet S43.
 8. For light pole locations, see sheet S14.
 9. Contractor to confirm location of conduits not in conflict with deck drainage and adjust location if needed.

PLAN



NEAR PIER

NEAR MIDSPAN

CROSS SECTION

(Looking North)
Bridge Fence Railing Not Shown for clarity

** Conduit bank and supports shall be above low steel of adjacent girders. Contractor shall survey all diaphragms between girder lines 9 and 10 prior ordering material for conduit support to ensure that conduit banks and their support system fit within space shown. Modification to conduit bank configuration is included with the pay item for the conduits.
*** Single coil, flared loop inserts cast in deck for $\frac{1}{2}$ " stud bolts, typ. For number and location, see sheets E5 and E6. Cost included with Concrete Superstructure. See Detail 3 sheet S13 for details.

DESIGNED	EV
CHECKED	PC
DRAWN	JCP
CHECKED	JPO

 600 WEST FULTON STREET CHICAGO, ILLINOIS 60661-1259	SHEET NO. S12 S52 SHEETS	F.A.I. RTE.	SECTION	COUNTY	TOTAL SHEETS	SHEET NO.
		94	1314B-1	COOK	110	48
				CONTRACT NO. 60F65		
ILLINOIS FED. AID PROJECT						

8/12/2010 12:01:53 PM P:\Projects\2000\029225 - IDOT P1B 152\CADD\Drawings\Bridges\Phase 2\0161243-012-DeckPlanSection.dgn