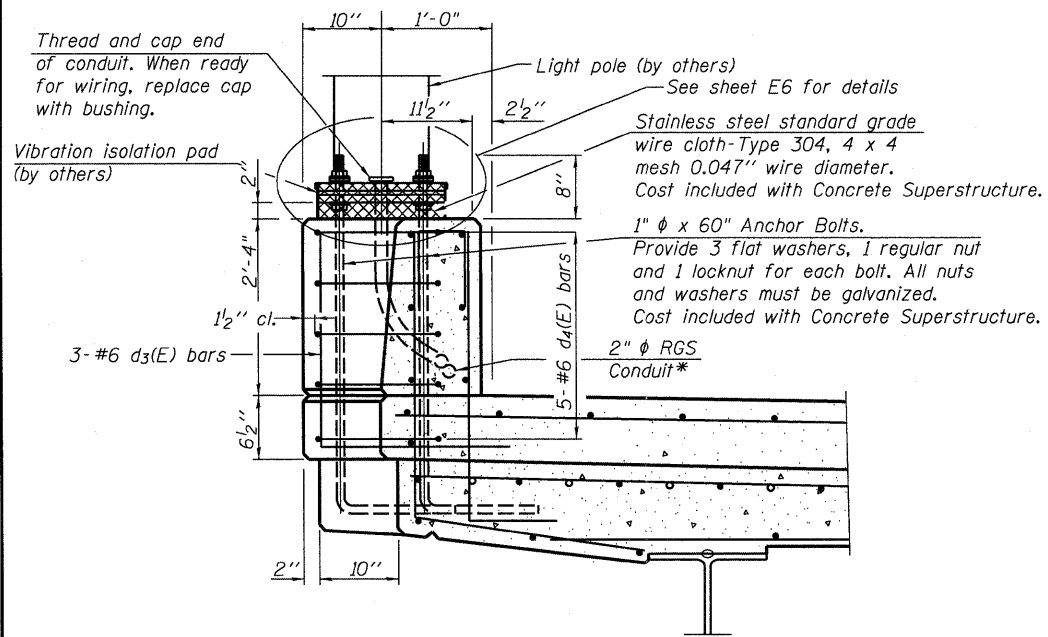
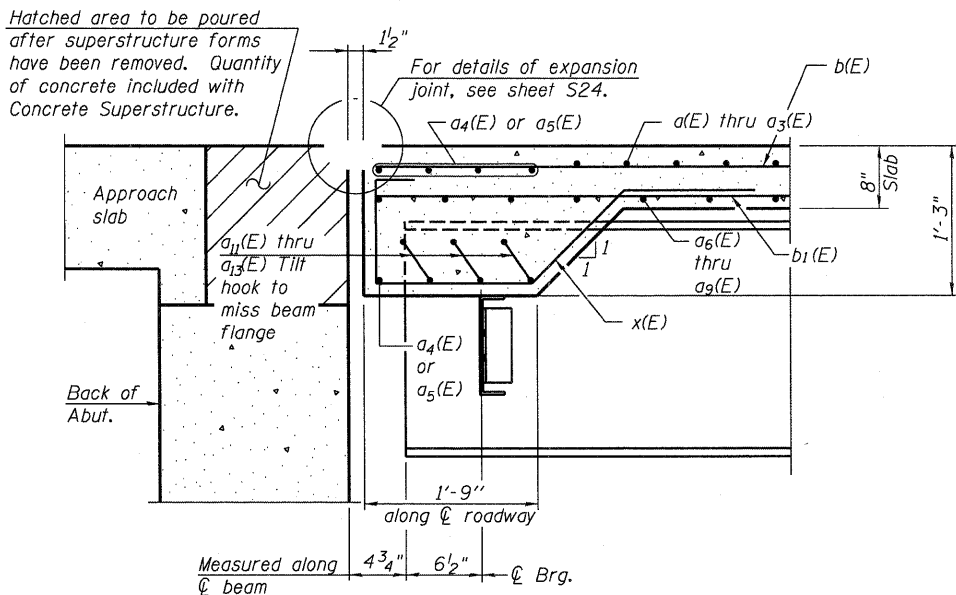


STATE OF ILLINOIS
DEPARTMENT OF TRANSPORTATION

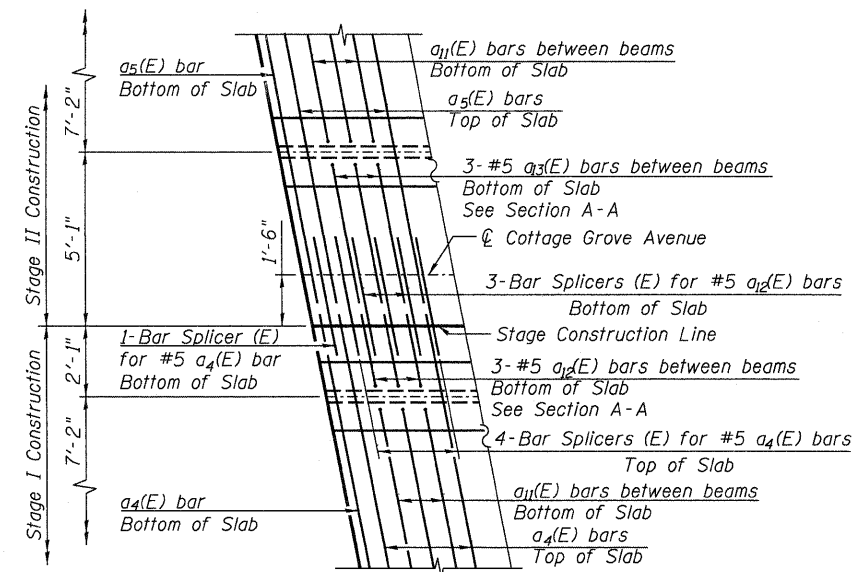


SECTION C-C

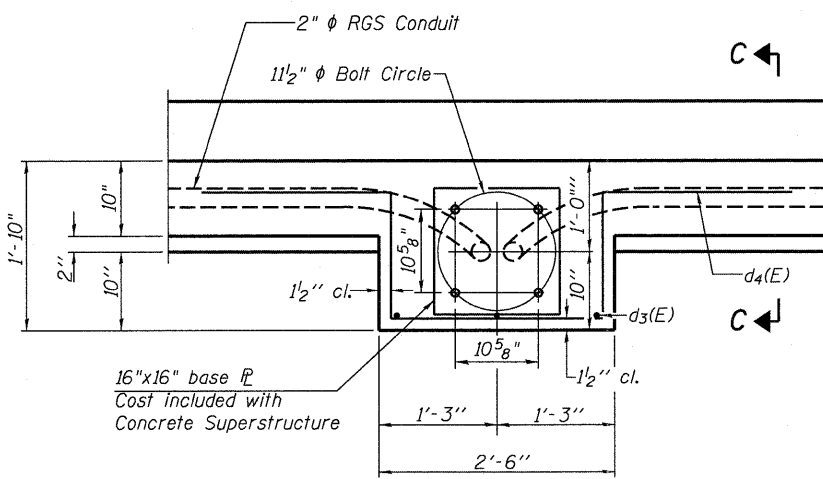
* Conduit shall have minimum 1/2" clearance from all reinforcement.



SECTION A-A

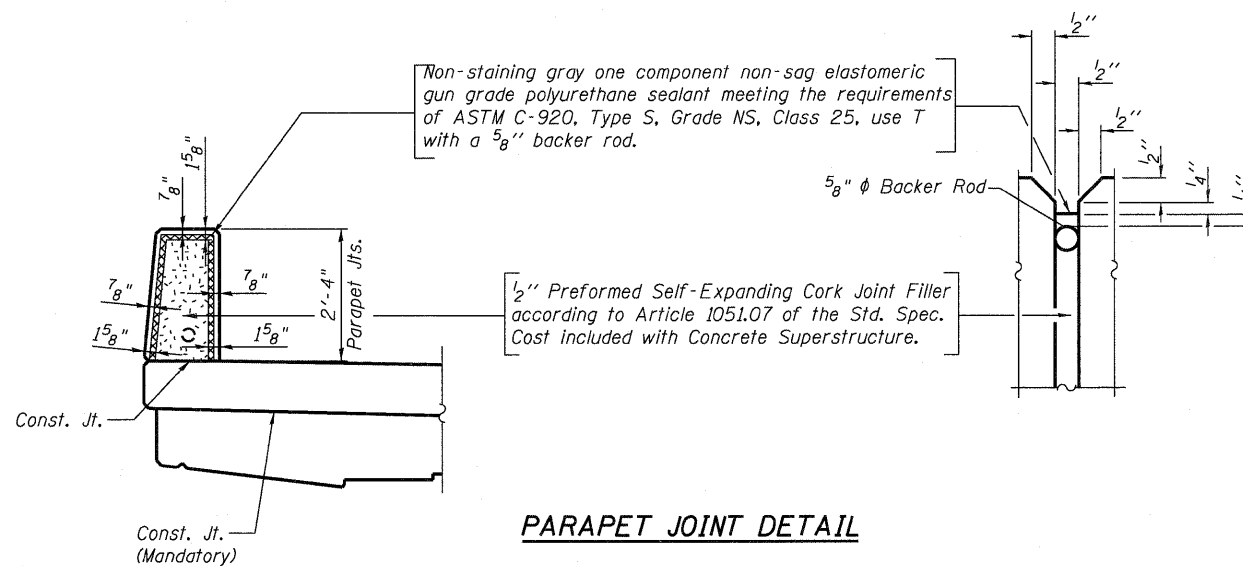


DETAIL 1
(at Expansion Joint)
Typical Slab Reinforcement
not shown for clarity



DETAIL 2

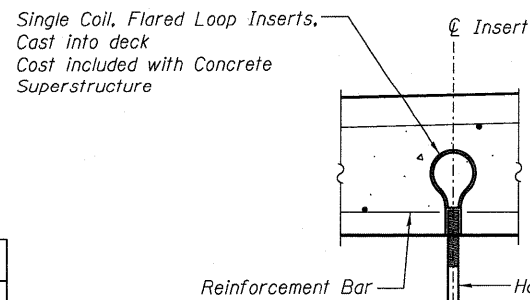
Note:
2 locations
Cost of anchor rods and conduit is included with Concrete Superstructure.



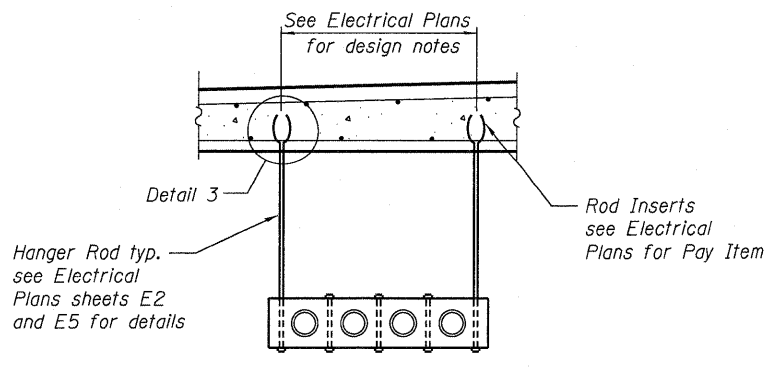
PARAPET JOINT DETAIL

Notes:

1. For location of Details 1 thru 3 and Conduit Bank Support Detail, see sheet S12.
2. For location of Parapet Joint Detail, see sheet S14.
3. For Bar Splicer (E) details, see sheet S45.
4. For bar bending diagrams and Bill of Materials, see sheet S14.
5. For electrical conduit plan location, see sheets E2 and E3.
6. For electrical conduit details, see sheet E8.
7. For electrical conduit quantities, see sheet E1.
8. For light pole details, see sheets E8 and E9.



DETAIL 3



4 CONDUIT BANK SUPPORT DETAIL
see Electrical Plans for design note and payment

DESIGNED	EV
CHECKED	PC
DRAWN	JCP
CHECKED	JPO

SUPERSTRUCTURE DETAILS 1
STRUCTURE NO. 016-2119

 600 WEST FULTON STREET CHICAGO, ILLINOIS 60661-1259 TEL 312 454 9100 FAX 312 559 1217 WEB www.epsteinglobal.com	SHEET NO. S13	F.A.I. RTE. 94	SECTION 1314B-1	COUNTY COOK	TOTAL SHEETS 110	SHEET NO. 49
	S52 SHEETS	CONTRACT NO. 60F65		ILLINOIS FED. AID PROJECT		