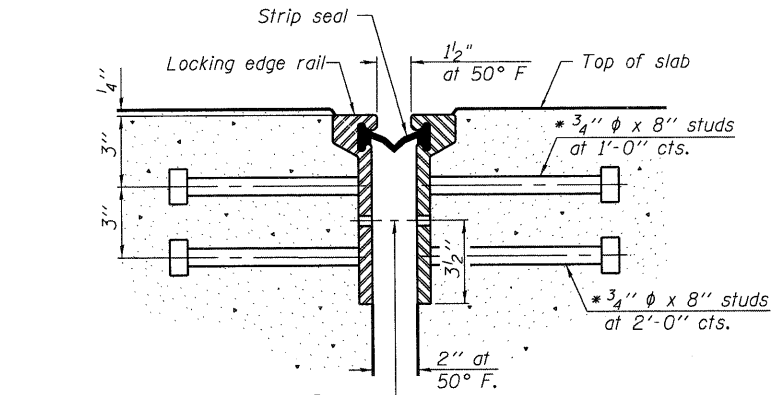


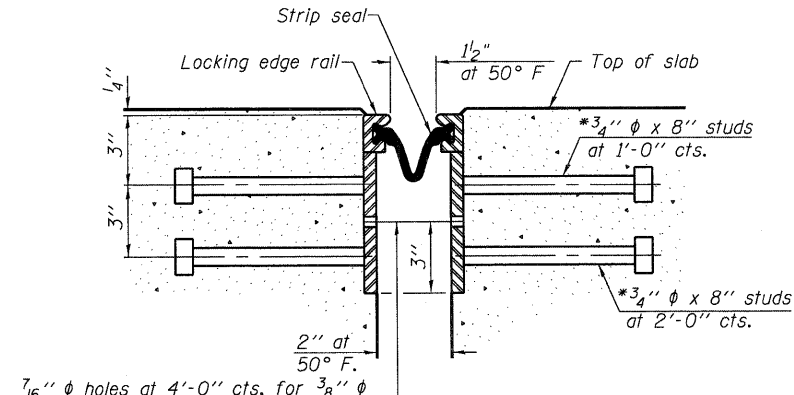
\* Granular or solid flux filled headed studs conforming to Article 1006.32 of the Std. Specs., automatically end welded.

STATE OF ILLINOIS  
DEPARTMENT OF TRANSPORTATION



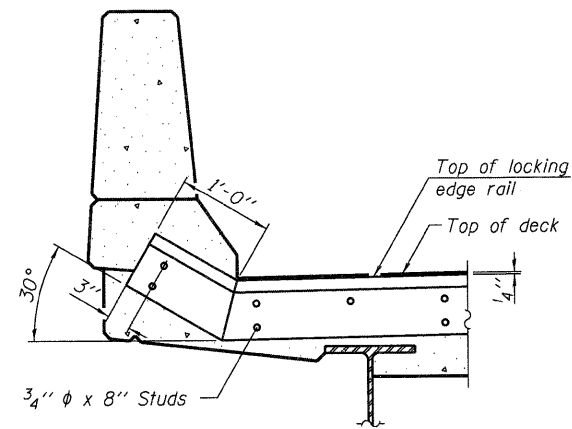
7/16"  $\phi$  holes at 4'-0" cts. for 3/8"  $\phi$  bolts. All bolts shall be burned, sawed, or chipped off flush with the plates after forms are removed, typ.

SECTION THRU  
ROLLED RAIL JOINT



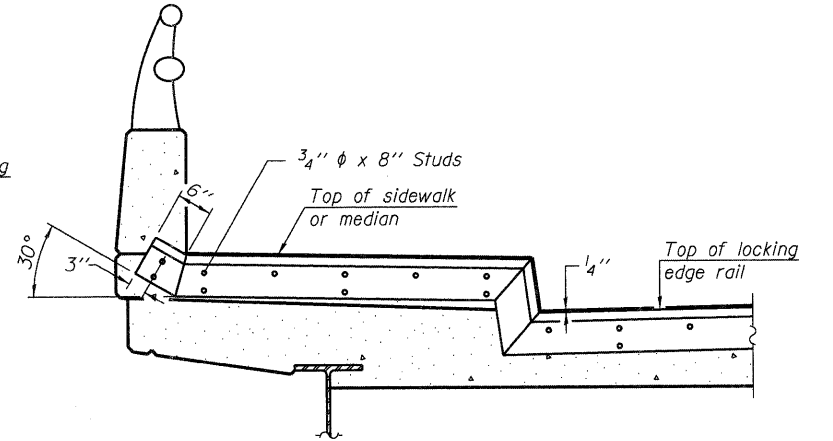
7/16"  $\phi$  holes at 4'-0" cts. for 3/8"  $\phi$  bolts. All bolts shall be burned, sawed, or chipped off flush with the plates after forms are removed, typ.

SECTION THRU  
WELDED RAIL JOINT



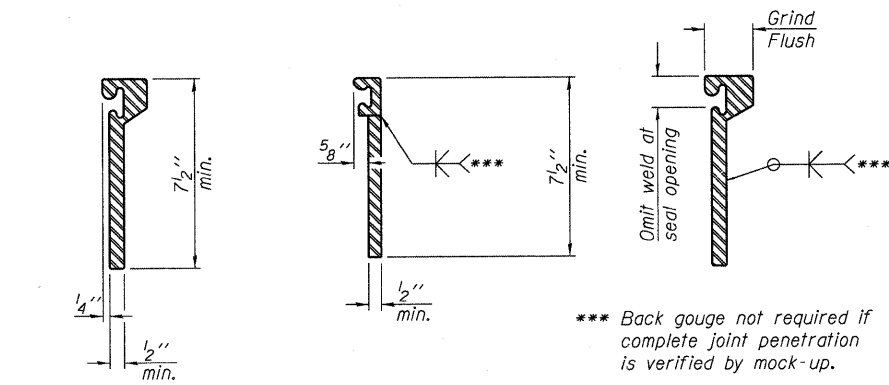
AT PARAPET

See Section A-A for end treatment of skews > 30°.



AT SIDEWALK OR MEDIAN

Shorter plates with a single row of studs at 12" cts. may be necessary on medians which are shallower than 9". See manufacturer's recommendation.

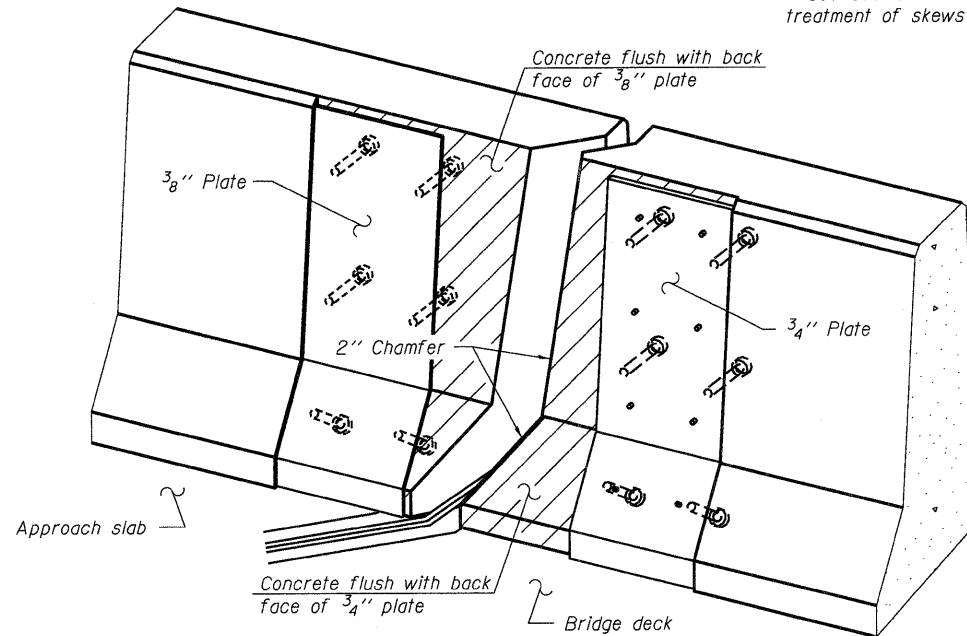


ROLLLED  
EXTRUDED RAIL      WELDED RAIL

\*\*\* Back gouge not required if complete joint penetration is verified by mock-up.

LOCKING EDGE  
RAIL SPLICE

The inside of the locking edge rail groove shall be free of weld residue. Rolled rail shown, welded rail similar.



TYPICAL END TREATMENTS

Notes:

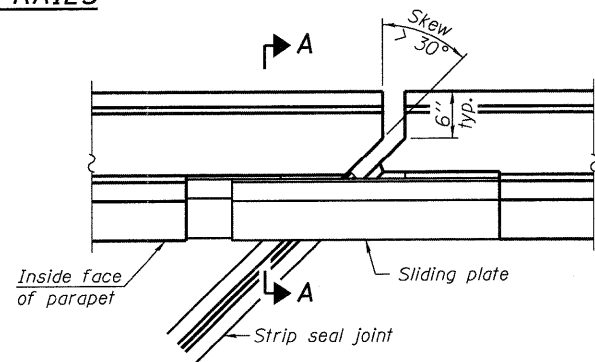
The strip seal shall be made continuous and shall have a minimum thickness of 1/4". The configuration of the strip seal shall match the configuration of the Locking Edge Rails. Open or "webbed" strip seal gland configurations are not permitted. The gland shall be sized for a maximum rated movement of 4 inches.

The Locking Edge Rails depicted are conceptual only, except for the minimum dimensions shown. The actual configuration of the Locking Edge Rails and matching strip seal may vary from manufacturer to manufacturer. Flanged edge rails will not be allowed. Locking Edge Rails may be spliced at slope discontinuities.

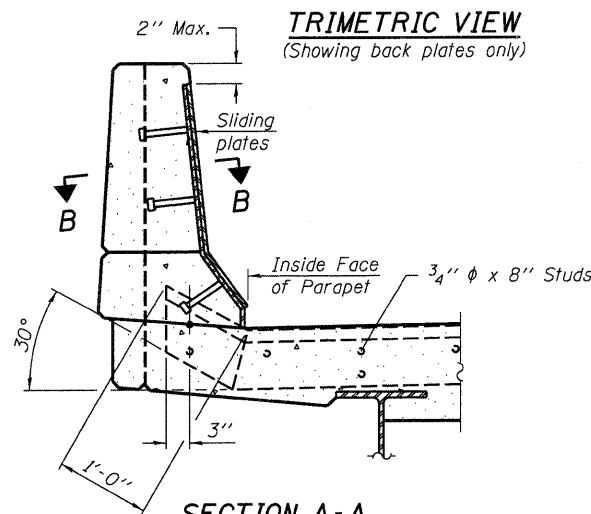
The manufacturer's recommended installation methods shall be followed. The joint opening and deck dimensions detailed on the superstructure are based on a rolled rail expansion joint. If the Contractor elects to use the welded rail expansion joint, the opening and deck dimensions shall be modified according to the dimensions detailed on this sheet. Required modifications shall be made at no additional cost to the State.

All steel components shall be galvanized after fabrication according to Article 520.03 of the Standard Specifications. Maximum space between rail segments at stage lines shall be 3/16", sealed with a suitable sealant.

LOCKING EDGE RAILS

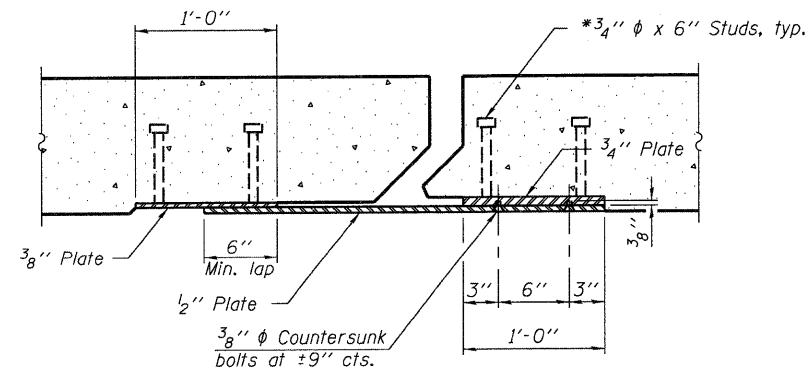


PLAN



SECTION A-A

POINT BLOCK DETAILS  
(for skews > 30°)



SECTION B-B

BILL OF MATERIAL

Item	Unit	Total
Preformed Joint Strip Seal	Foot	149

PREFORMED JOINT  
STRIP DETAILS  
STRUCTURE NO. 016-2119

DESIGNED	EV
CHECKED	PC
DRAWN	JCP
CHECKED	JPO

EJ-SSJ

11-1-09

 600 WEST FULTON STREET CHICAGO, ILLINOIS 60681-1259 TEL 312 454 9100 FAX 312 559 1217 WEB www.epsteinglobal.com	SHEET NO. S24	F.A.I. RTE.	SECTION	COUNTY	TOTAL SHEETS	SHEET NO.
	S52 SHEETS	94	1314B-1	COOK	110	60
					CONTRACT NO. 60F65	
ILLINOIS FED. AID PROJECT						

7/16/2010 12:48:58 PM P:\Projects\0900002925 - IDOT\FTB 152\CAD\CADD Sheets\Bridg... Phase 2\1612143-224-JointStripDetails.dgn