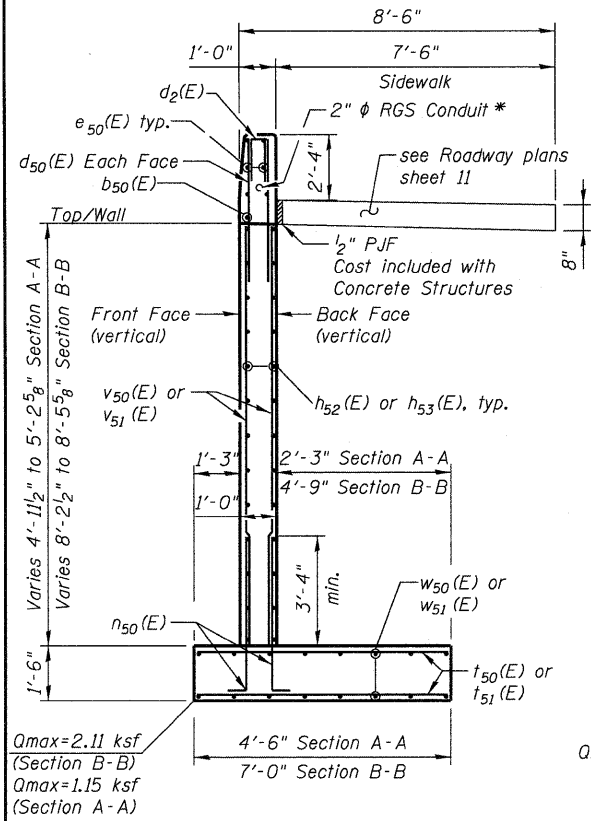
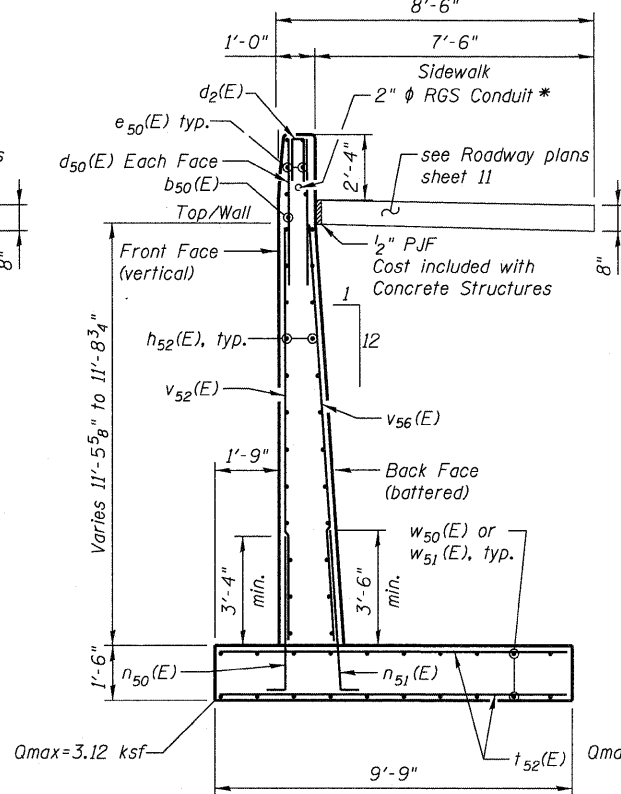


STATE OF ILLINOIS
DEPARTMENT OF TRANSPORTATION

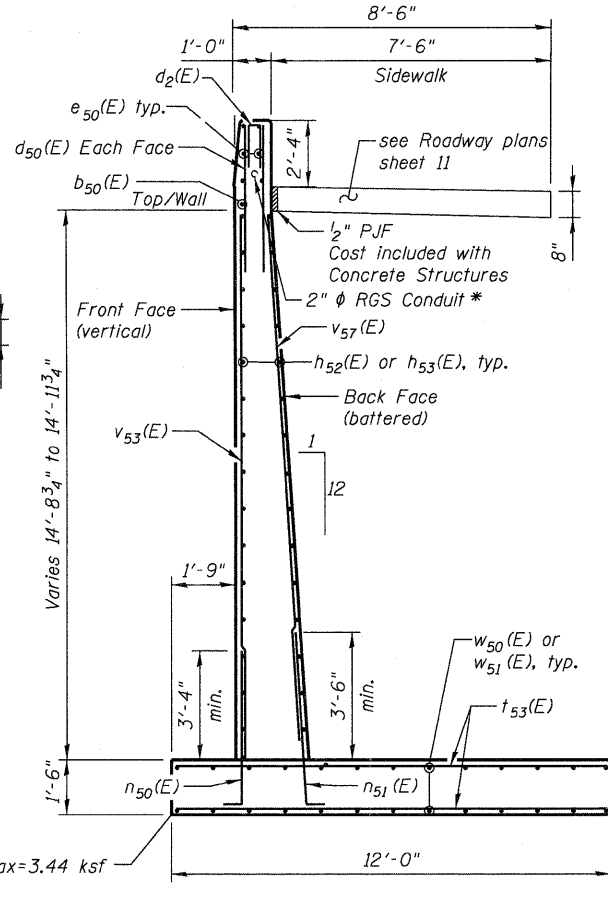
* Conduit shall have minimum
1/2" clearance from all reinforcement.



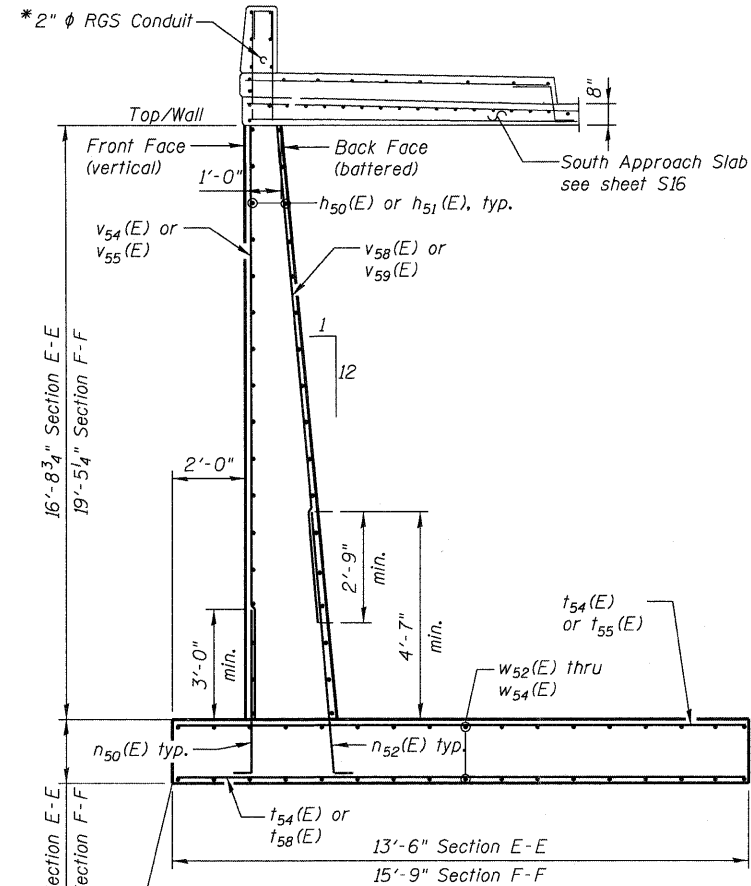
SECTION A-A & B-B



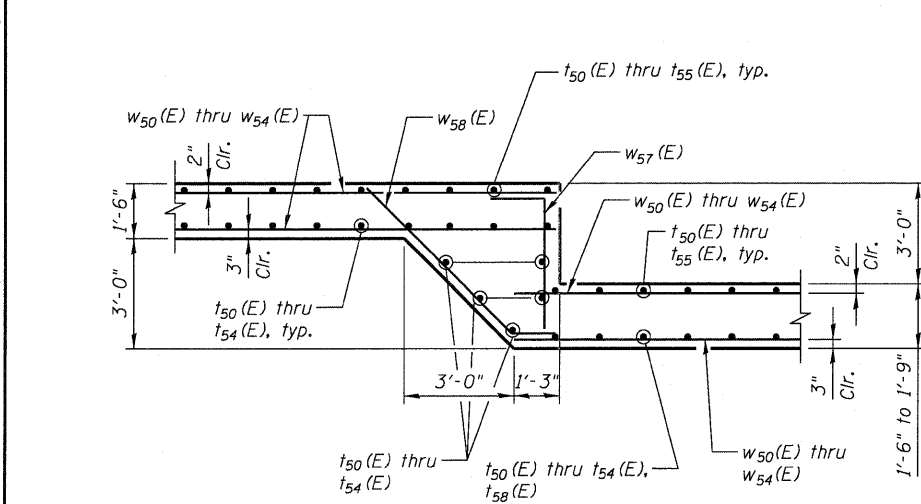
SECTION C-C



SECTION D-D



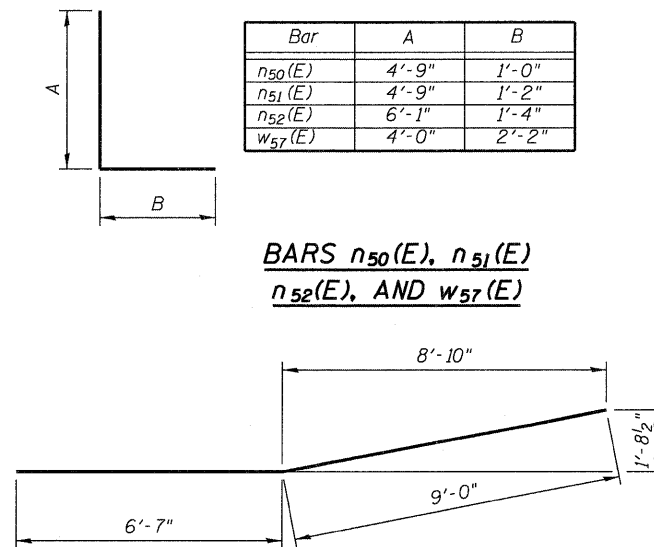
SECTION E-E & F-F



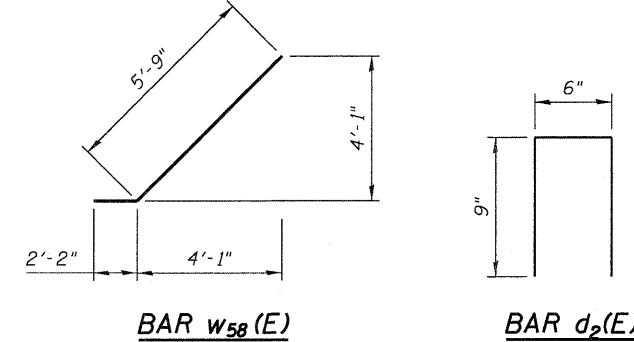
DETAIL 1

Bar	A	B
n50(E)	4'-9"	1'-0"
n51(E)	4'-9"	1'-2"
n52(E)	6'-1"	1'-4"
w57(E)	4'-0"	2'-2"

BARS n50(E), n51(E)
n52(E), AND w57(E)



BARS t57(E) and t60(E)



BAR w58(E)

BAR d2(E)

Notes:

1. For location of sections A-A thru F-F and Detail 1 see sheet S30.
2. For parapet elevation and details see sheet S31.

BILL OF MATERIAL

Bar	No.	Size	Length	Shape
d2(E)	10	# 4	2' - 0"	□
d50(E)	72	# 5	4' - 8"	—
e50(E)	12	# 5	16' - 7"	—
h50(E)	36	# 5	24' - 7"	—
h51(E)	8	# 5	12' - 1"	—
h52(E)	38	# 5	16' - 7"	—
h53(E)	16	# 5	8' - 1"	—
n50(E)	76	# 5	5' - 9"	┌
n51(E)	72	# 6	5' - 11"	┌
n52(E)	26	# 7	7' - 5"	┌
t50(E)	25	# 5	4' - 2"	—
t51(E)	25	# 5	6' - 8"	—
t52(E)	35	# 5	9' - 5"	—
t53(E)	35	# 6	11' - 8"	—
t54(E)	48	# 6	13' - 2"	—
t55(E)	23	# 8	15' - 5"	—
t56(E)	3	# 8	14' - 5"	—
t57(E)	1	# 8	15' - 7"	—
t58(E)	12	# 6	15' - 5"	—
t59(E)	2	# 6	12' - 1"	—
t60(E)	1	# 6	15' - 7"	—
v50(E)	20	# 5	4' - 8"	—
v51(E)	20	# 5	7' - 11"	—
v52(E)	10	# 5	11' - 2"	—
v53(E)	10	# 5	14' - 6"	—
v54(E)	13	# 5	16' - 5"	—
v55(E)	14	# 5	19' - 3"	—
v56(E)	10	# 6	11' - 2"	—
v57(E)	10	# 6	14' - 6"	—
v58(E)	27	# 6	16' - 5"	—
v59(E)	27	# 6	19' - 3"	—
w50(E)	58	# 5	8' - 2"	—
w51(E)	18	# 5	6' - 11"	—
w52(E)	52	# 5	13' - 4"	—
w53(E)	4	# 5	11' - 10"	—
w54(E)	6	# 5	10' - 3"	—
w57(E)	53	# 5	6' - 2"	┌
w58(E)	53	# 5	7' - 11"	┌
Porous Granular Embankment, Special		Cu. Yds.	120	
Structure Excavation		Cu. Yds.	335	
Concrete Structures		Cu. Yds.	98.5	
Concrete Superstructure		Cu. Yds.	2.7	
Protective Coat		Sq. Yds.	12	
Reinforcement Bars, Epoxy Coated		Pound	12,620	
Geocomposite Wall Drain		Sq. Yd.	87	
Pipe underdrain for structures, 4" dia.		Foot	70	

SE RETAINING WALL
DETAILS 2
STRUCTURE NO. 016-2119

DESIGNED	EV
CHECKED	PC
DRAWN	JCP
CHECKED	JPO

SEPSTEIN 600 WEST FULTON STREET CHICAGO, ILLINOIS 60661-1259	SHEET NO. S32 S52 SHEETS	F.A.I. RTE.	SECTION	COUNTY	TOTAL SHEETS	SHEET NO.
		94	1314B-1	COOK	110	68
CONTRACT NO. 60F65					ILLINOIS FED. AID PROJECT	