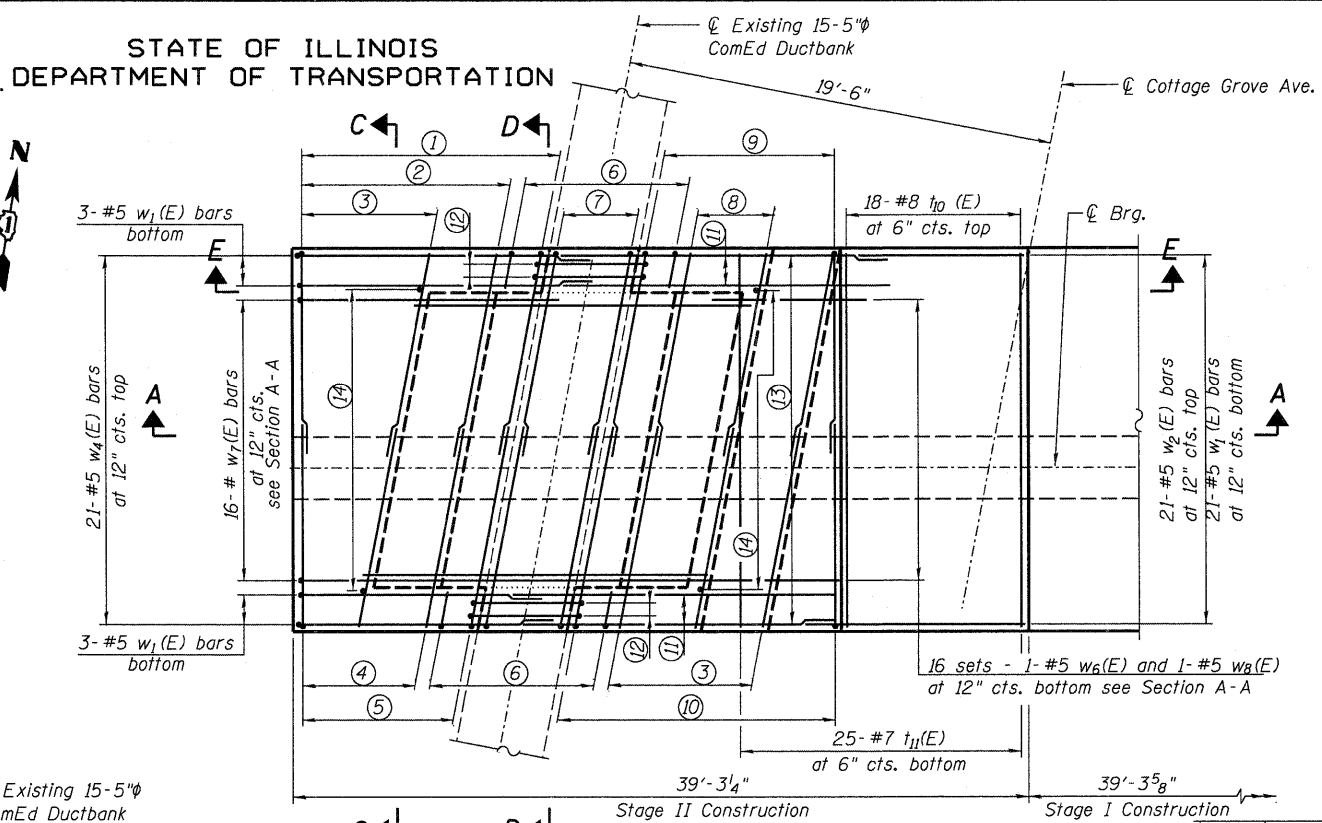
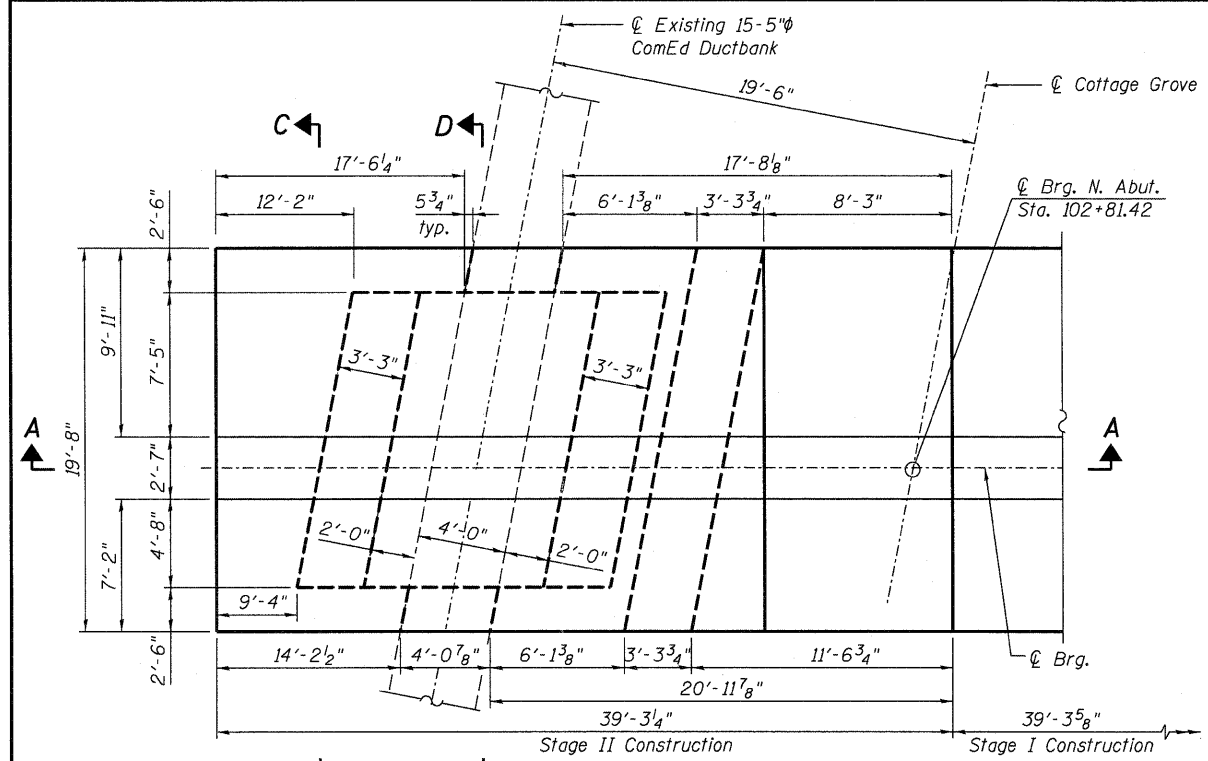
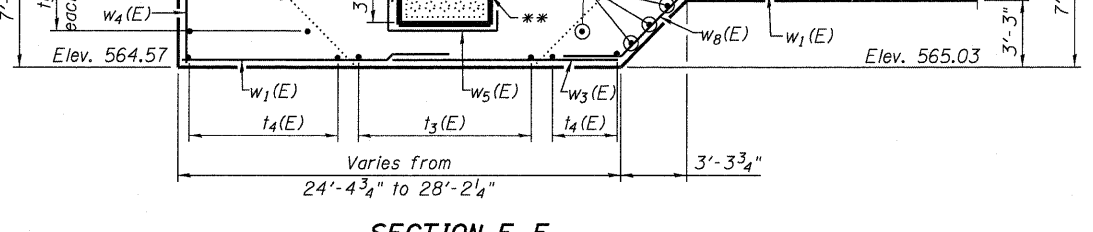
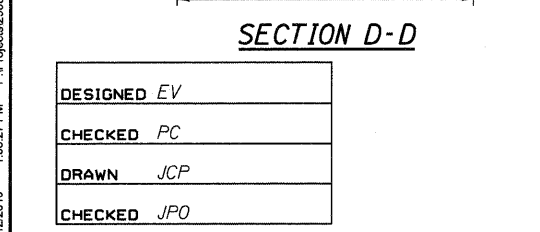
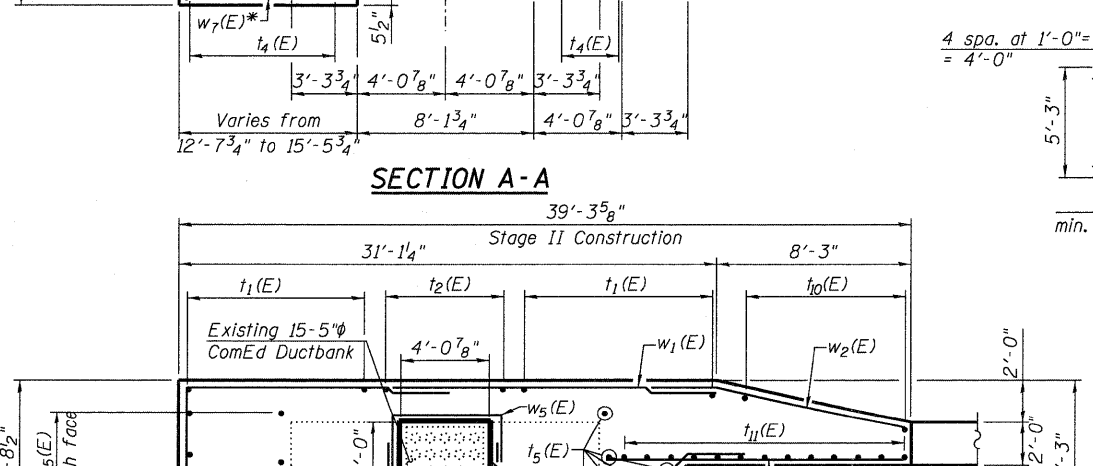
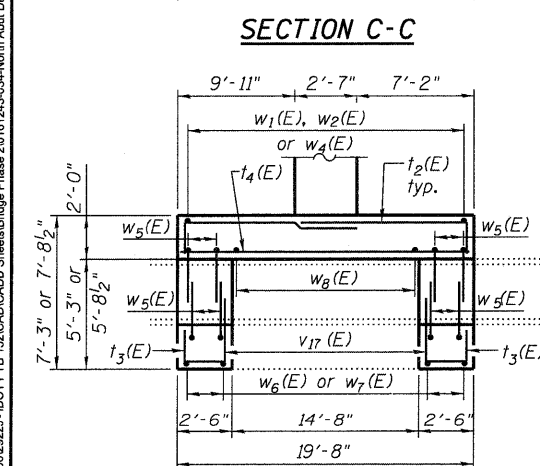
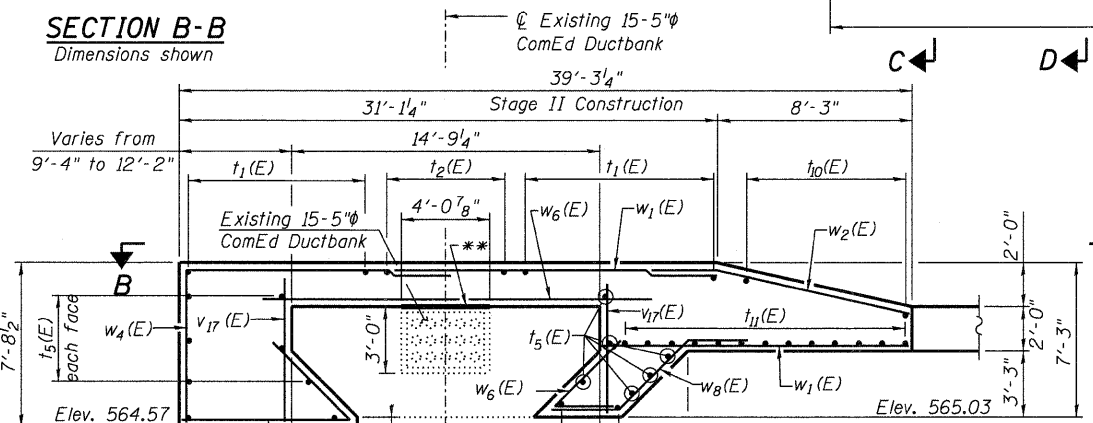
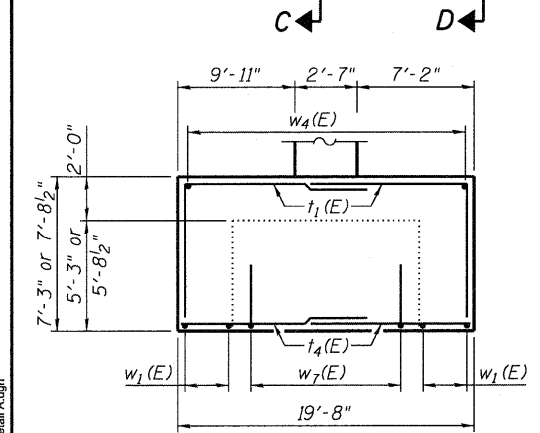


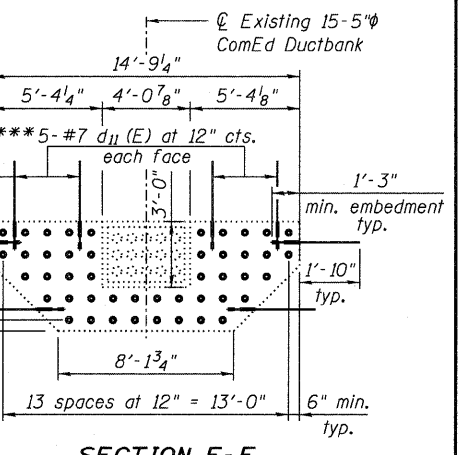
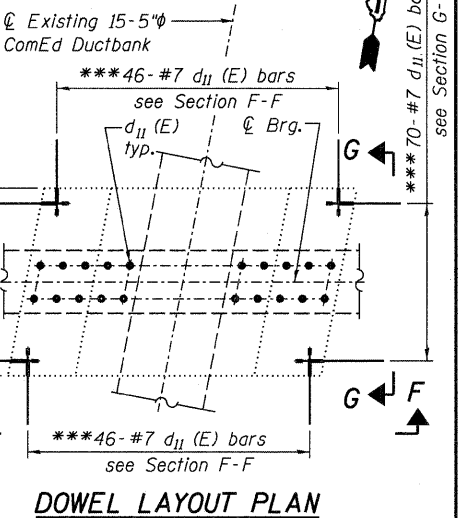
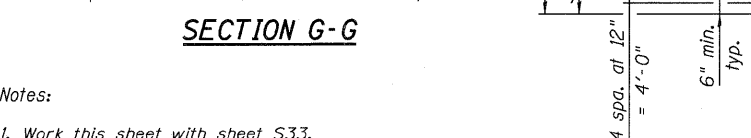
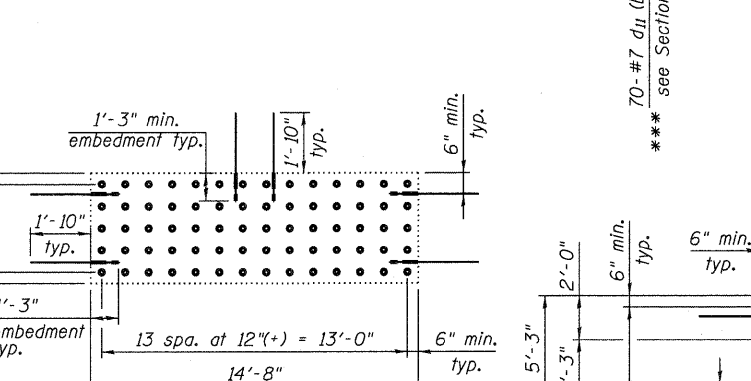
STATE OF ILLINOIS
DEPARTMENT OF TRANSPORTATION



- ① 36-#8 t1(E) at 6" cts. top
- ② 32-#7 t4(E) at 6" cts. bottom
- ③ 6x2-#6 t5(E) see Section A-A
- ④ 2x6-#7 t4(E) at 6" cts. bottom
- ⑤ 30-#8 t1(E) at 6" cts. top
- ⑥ 17-#7 t3(E) at 6" cts. bottom
- ⑦ 9x2-#8 t2(E) at 6" cts. top
- ⑧ 9x2-#7 t4(E) at 6" cts. bottom
- ⑨ 20-#8 t1(E) at 6" cts. top
- ⑩ 27-#8 t1(E) at 6" cts. top
- ⑪ 3 sets 1-#5 w3(E) and 1-#5 w8(E) bars at 12" cts. bottom
- ⑫ 3 pairs 2-#5 w5(E) bars see Section E-E
- ⑬ 21-#5 w1(E) bars at 12" cts. top
- ⑭ 16-#5 w7(E) bars at 12" cts. see Section A-A



* Cut in field as required
** 2" High Strength EPS Pad (see Note 3)
*** Drill and Grout Dowel Bars should comply with requirements of Section 584 of Standard Specification. Cost included with Reinforcement Bars, Epoxy Coated.



**NORTH ABUTMENT STAGE II
FOOTING DETAILS
STRUCTURE NO. 016-2119**

- Notes:
1. Work this sheet with sheet S33.
 2. For Bill of Material, see sheet S36.
 3. 2" High Strength EPS Pad should comply with requirements of ASTM C 578-04 Type II. Cost included with Concrete Structures.
 4. Bars indicated thus 2 x 3-#5 etc. indicates 2 lines of bars with 3 lengths per line.

 600 WEST FULTON STREET CHICAGO, ILLINOIS 60661-1269 TEL 312 454 9100 FAX 312 559 1217 WEB www.epsteinglobal.com	SHEET NO. S34	F.A.I. RTE. 94	SECTION 1314B-1	COUNTY COOK	TOTAL SHEETS 110	SHEET NO. 70
	S52 SHEETS	CONTRACT NO. 60F65		ILLINOIS FED. AID PROJECT		

8/12/2010 1:55:27 PM P:\Projects\2010\029225 - IDOT FTB 152\CAICADD Sheets\Bridge Phase 20161243-034-North Abut Detail A.dgn

DESIGNED	EV
CHECKED	PC
DRAWN	JCP
CHECKED	JPO