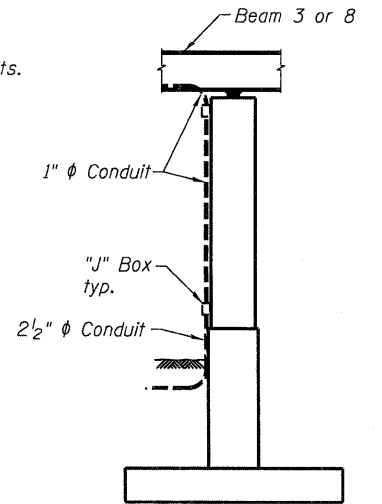


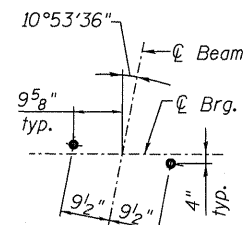
STATE OF ILLINOIS
DEPARTMENT OF TRANSPORTATION

Notes:
Space reinforcement in cap to miss anchor bolts.
Pour steps monolithically with cap.



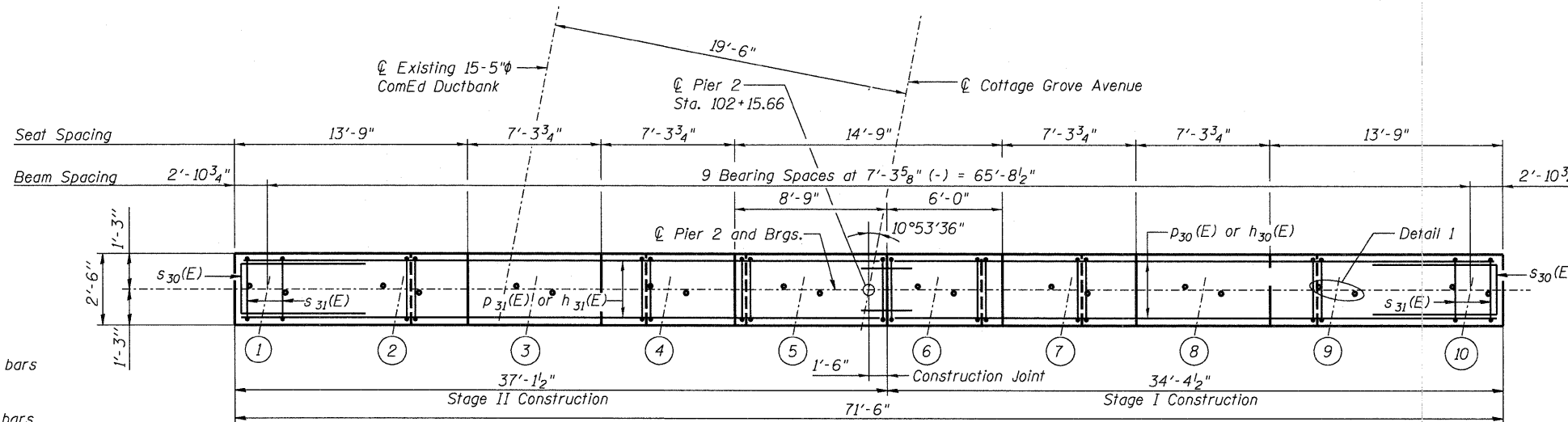
CONDUIT LOCATION

(Looking West)
Place Conduits and "J" boxes
at South face of Pier 2
see IDOT Standard BE900

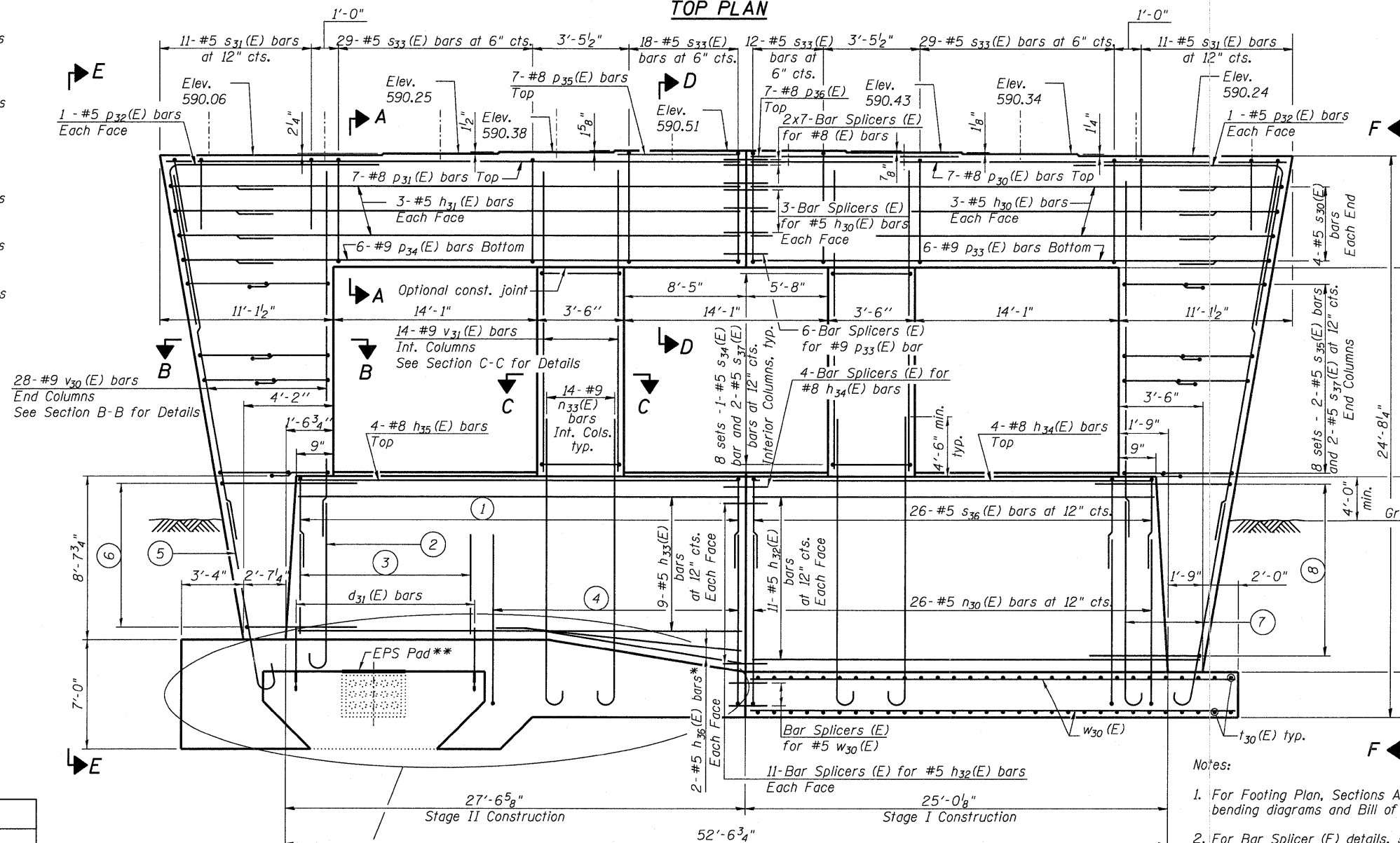


DETAIL 1

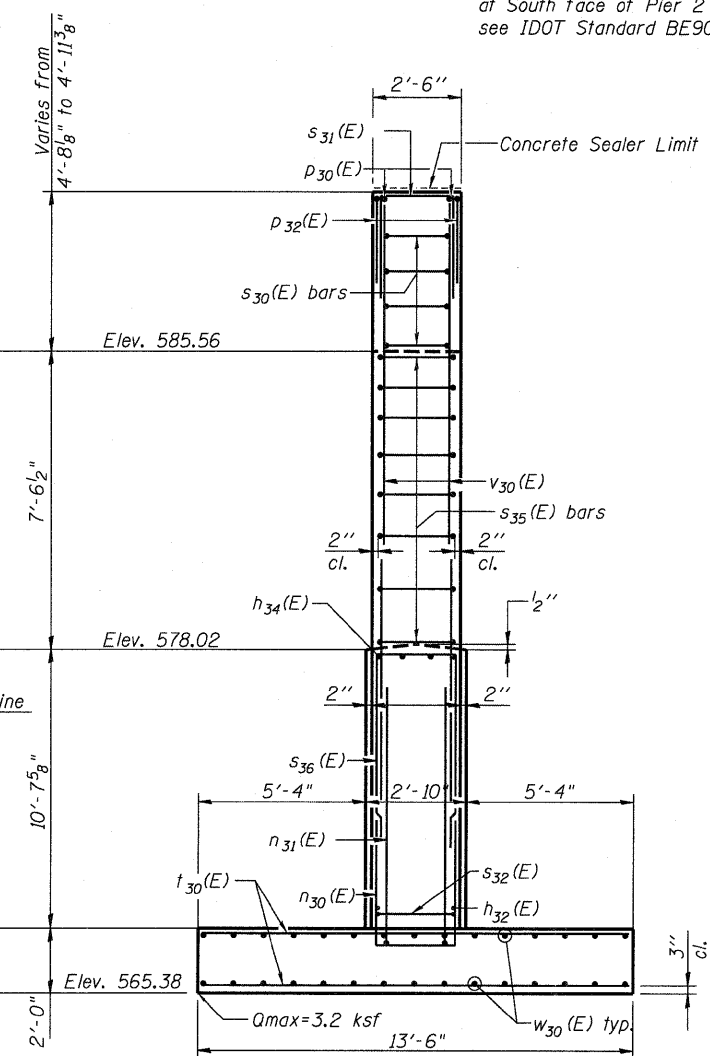
- 1 28-#5 s₃₆(E) bars at 12" cts.
- 2 12-#8 n₃₂(E) bars See Footing Plan
- 3 14-#5 v₃₂(E) bars at 12" cts. Each Face
- 4 15-#5 n₃₀(E) bars at 12" cts.
- 5 6-#8 n₃₁(E) bars See Footing Plan
- 6 10-#5 s₃₂(E) bars at 12" cts.
- 7 18-#8 n₃₁(E) bars See Footing Plan
- 8 12-#5 s₃₂(E) bars at 12" cts.



TOP PLAN



ELEVATION
(Looking North)



VIEW F-F

**PIER 2
STRUCTURE NO. 016-2119**

- Notes:
- For Footing Plan, Sections A-A thru D-D, View E-E, bar bending diagrams and Bill of Materials, see sheet S41.
 - For Bar Splicer (E) details, see sheet S45.

DESIGNED	EV
CHECKED	PC
DRAWN	JCP
CHECKED	JPO

See Pier Stage II Footing Details Sheet S42

* Bend in the field as required.
** 2" High Strength EPS Pad (see sheet S42 for details)

EPSTEIN

600 WEST FULTON STREET
CHICAGO, ILLINOIS 60661-1259
TEL 312 454 9100
FAX 312 559 1217
WEB www.epsteinglobal.com

SHEET NO. S40
S52 SHEETS

F.A.I. RTE.	SECTION	COUNTY	TOTAL SHEETS	SHEET NO.
94	1314B-1	COOK	110	76
CONTRACT NO. 60F65				
ILLINOIS FED. AID PROJECT				