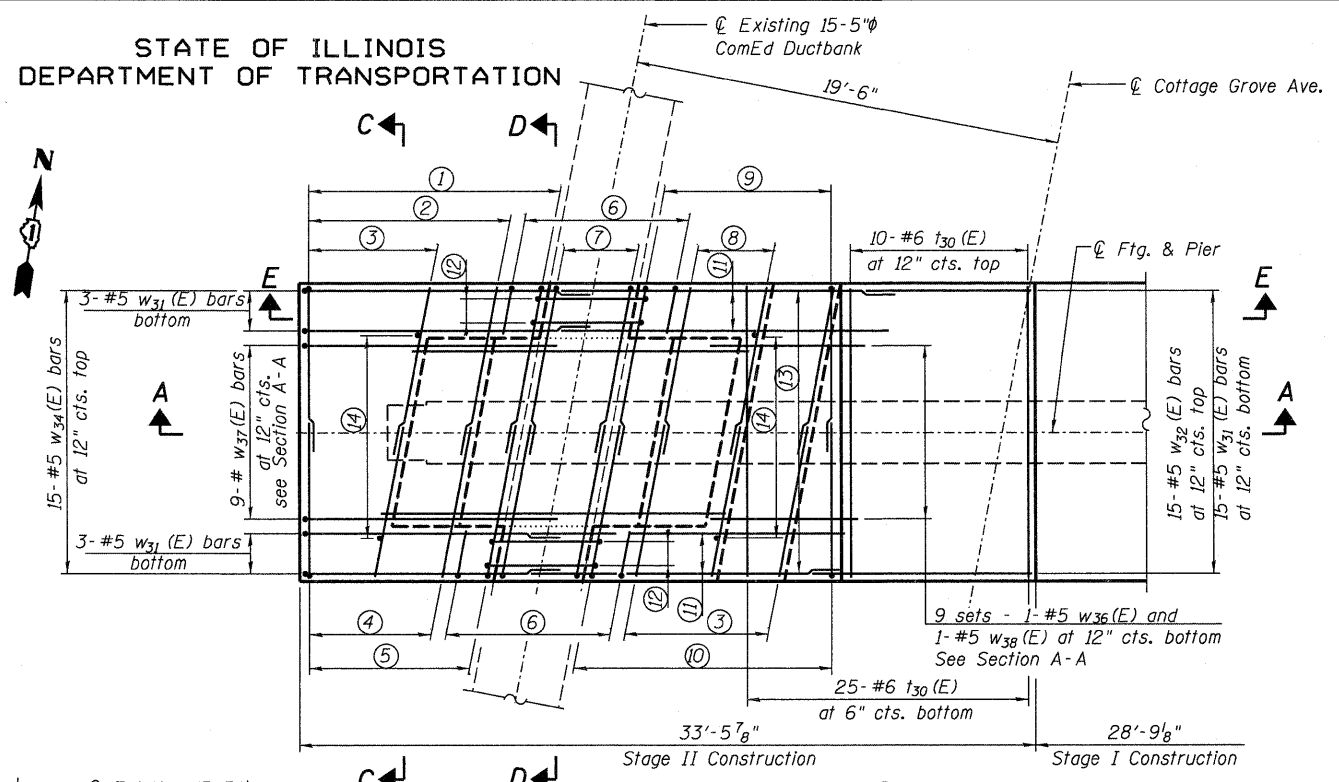
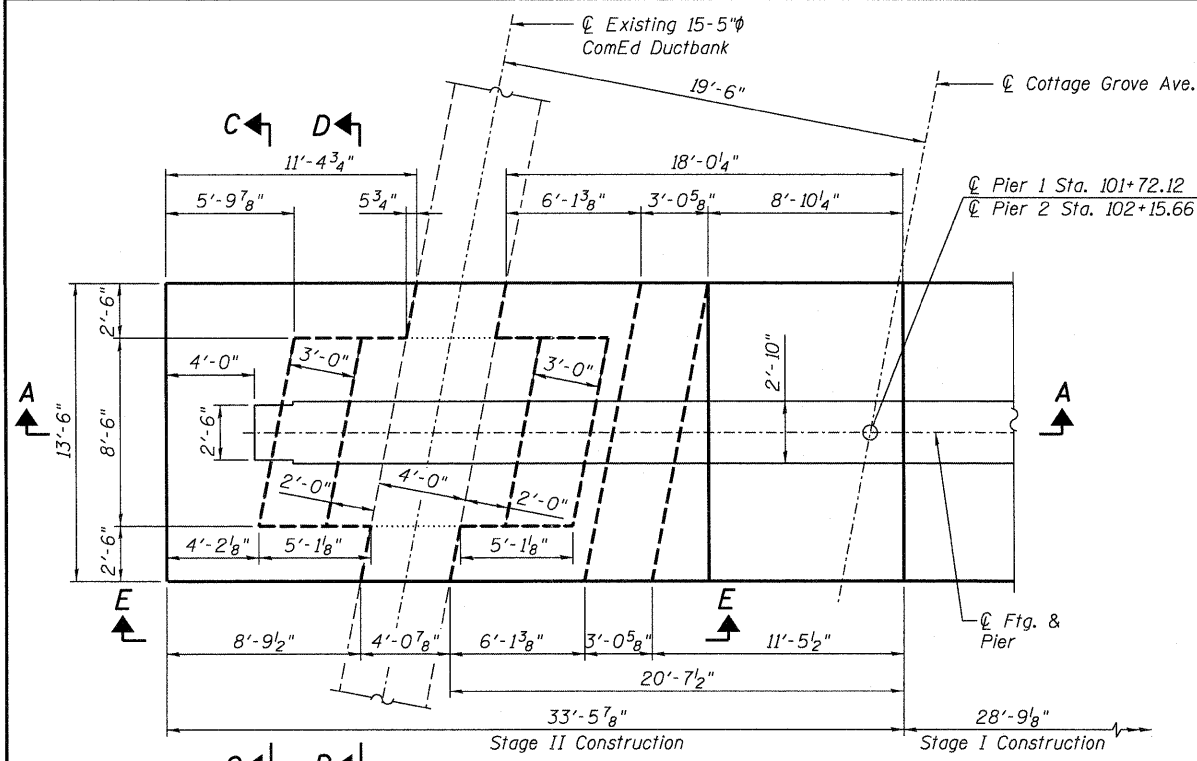
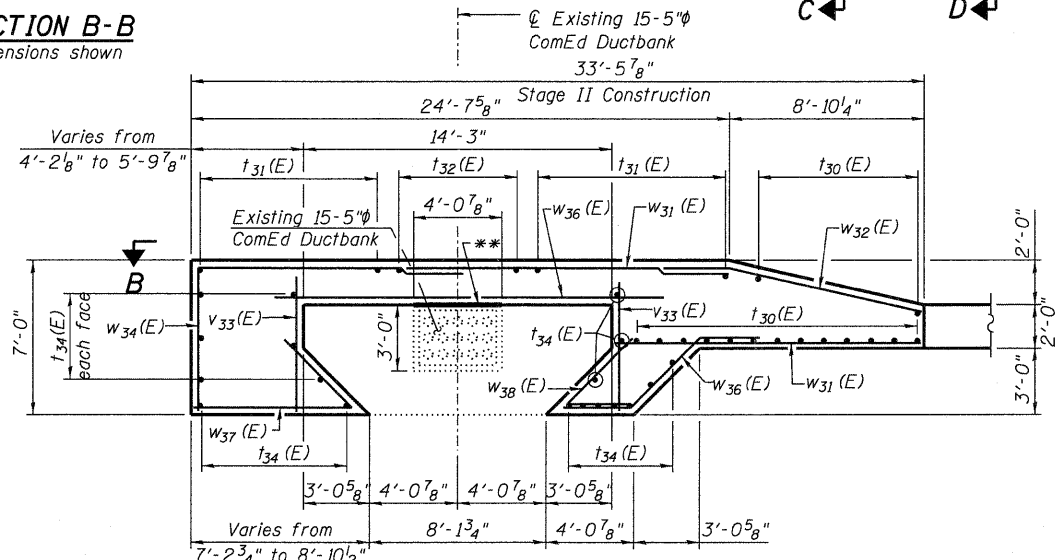


STATE OF ILLINOIS
DEPARTMENT OF TRANSPORTATION



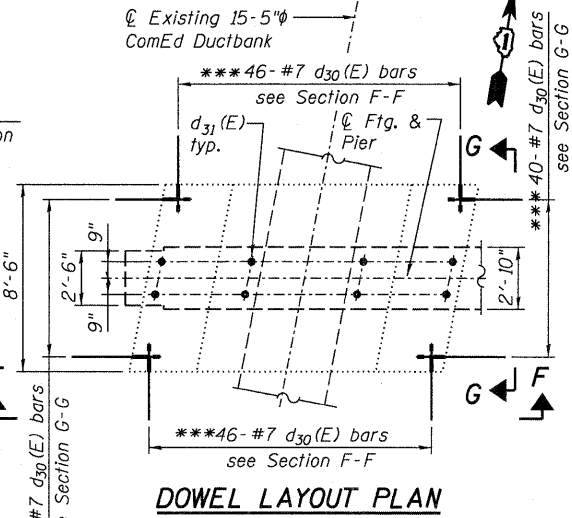
- ① 12-#6 t₃₁(E) at 12" cts. top
- ② 10-#6 t₃₄(E) at 12" cts. bottom see Section A-A
- ③ 6x2-#6 t₃₄(E) see Section A-A
- ④ 8-#6 t₃₄(E) at 12" cts. bottom
- ⑤ 10-#6 t₃₁(E) at 12" cts. top
- ⑥ 9-#6 t₃₃(E) at 12" cts. bottom
- ⑦ 5x2-#6 t₃₂(E) at 12" cts. top
- ⑧ 5x2-#6 t₃₄(E) at 12" cts. bottom
- ⑨ 10-#6 t₃₄(E) at 12" cts. bottom
- ⑩ 13-#6 t₃₁(E) at 12" cts. top
- ⑪ 3 sets 1-#5 w₃₃(E) and 1-#5 w₃₆(E) bars at 12" cts. bottom
- ⑫ 3 pairs 2-#5 w₃₅(E) bars see Section E-E
- ⑬ 15-#5 w₃₁(E) bars at 12" cts. top
- ⑭ 15-#5 v₃₃(E) bars at 12" cts. see Section A-A

SECTION B-B
Dimensions shown



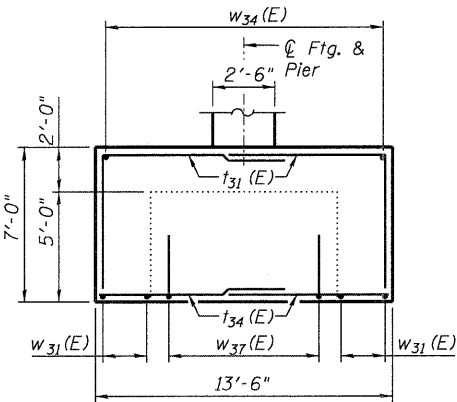
SECTION B-B
Reinforcement shown

- * Cut in field as required
- ** 2" High Strength EPS Pad (see Note 3)
- *** Drill and Grout Dowel Bars should comply with requirements of Section 584 of Standard Specification. Cost included with Reinforcement Bars, Epoxy Coated.

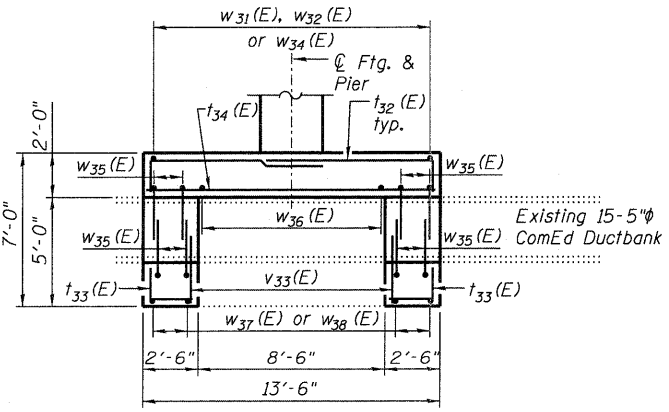


DOWEL LAYOUT PLAN

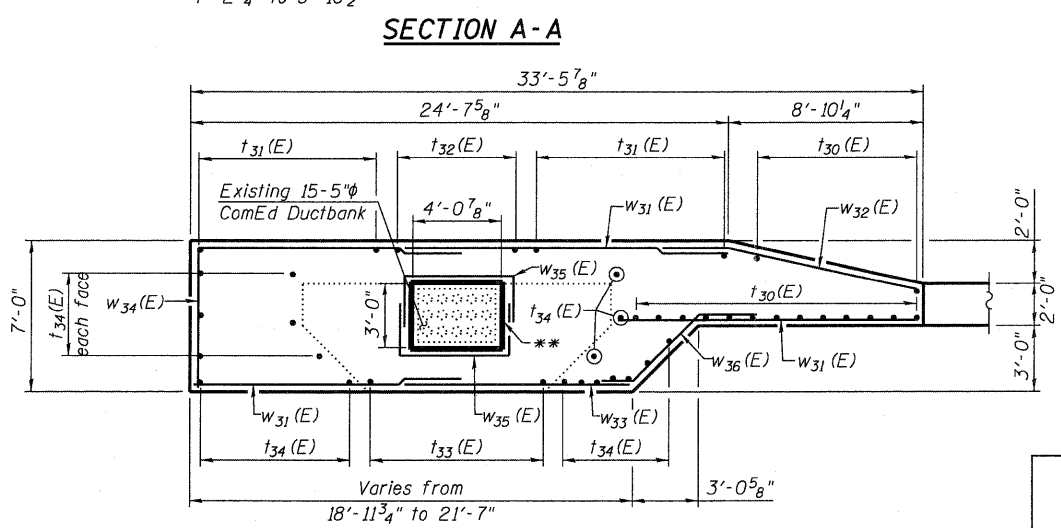
SECTION C-C



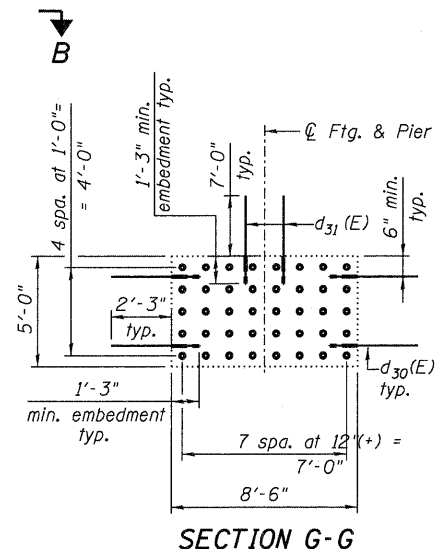
SECTION D-D



SECTION A-A

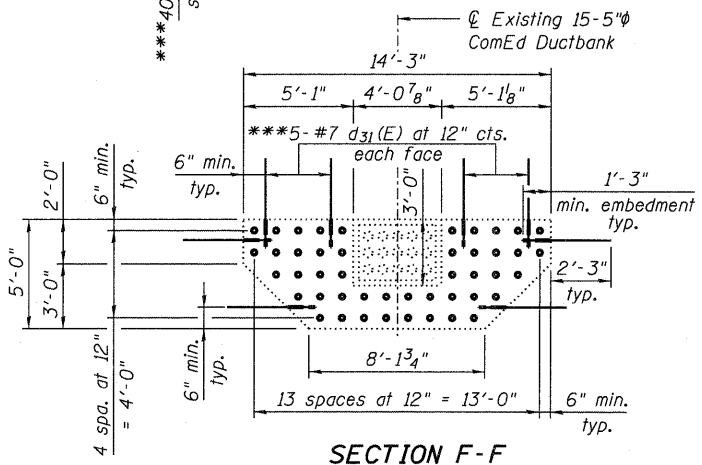


SECTION E-E



SECTION G-G

- Notes:
1. Work this sheet with sheets S38 thru S41.
 2. For Bill of Material, see sheets S39 and S41.
 3. 2" High Strength EPS Pad should comply with requirements of ASTM C 578-04 Type II. Cost included with Concrete Structures.



SECTION F-F

**PIER STAGE II
FOOTING DETAILS
STRUCTURE NO. 016-2119**

DESIGNED	EV
CHECKED	PC
DRAWN	JCP
CHECKED	JPO

SEPSTEIN
600 WEST FULTON STREET
CHICAGO, ILLINOIS
60661-1259
TEL 312 454 9100
FAX 312 559 1217
WEB www.epsteinglobal.com

SHEET NO. S42
S52 SHEETS

F.A.I. RTE.	SECTION	COUNTY	TOTAL SHEETS	SHEET NO.
94	1314B-1	COOK	110	78
CONTRACT NO. 60F65				
ILLINOIS FED. AID PROJECT				

8/12/2010 3:03:02 PM P:\Projects\2000\02225-1\DOT\FTB\152\CAD\CADD_Sheet\Bldg Phase 20161213-043-Pier2\Detail A.dgn