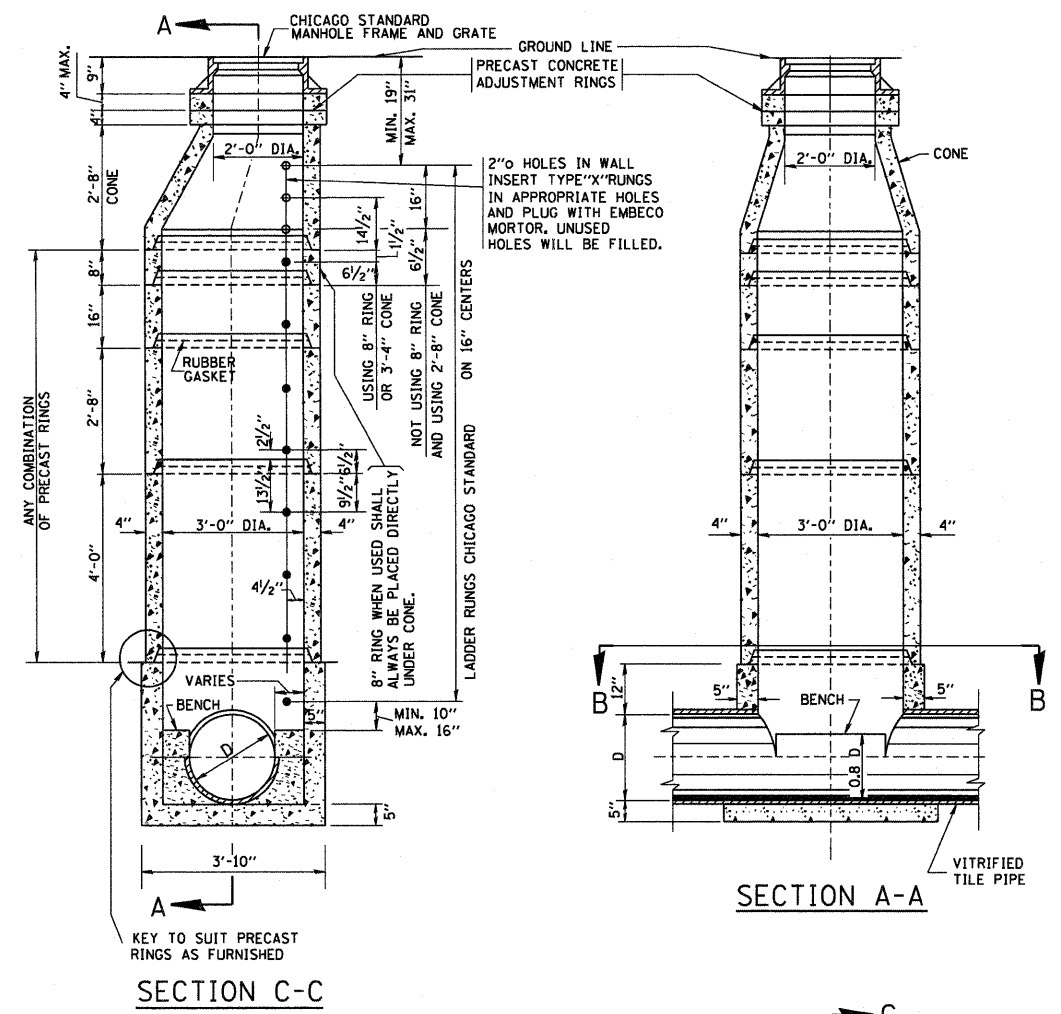
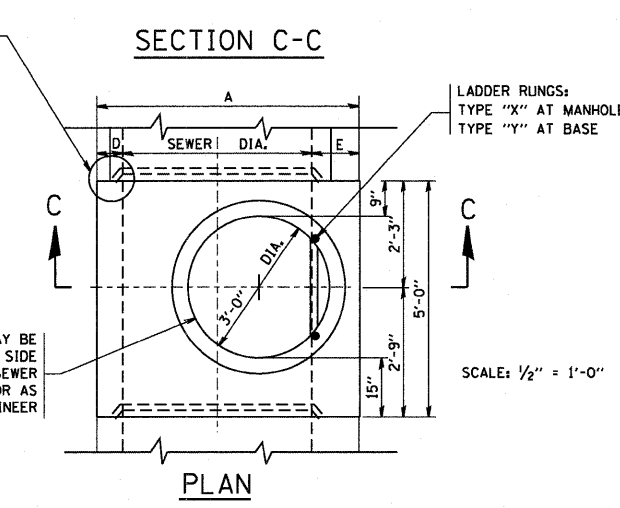
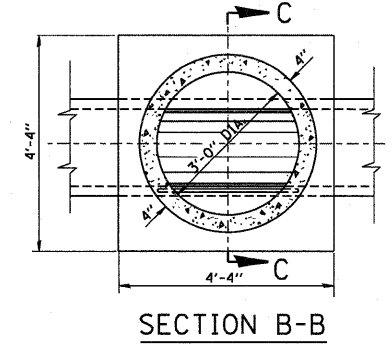


TYPE "A" MANHOLE
FOR SEWERS
24" TO 120" DIAMETER
PRECAST BASES AND RINGS



TYPE "A" MANHOLE
FOR SEWERS
21" DIAMETER AND SMALLER
PRECAST BASES AND RINGS



SCALE: 1/2" = 1'-0"

SEWER DIA.	PART OF ITEM	DIMENSIONS OF PRECAST MANHOLE BASE														NO. "Y" RINGS		
		A	B	C	D	E	F	G	J	K	L	M	N	P	O		R	
120"	---	12"-4 1/2"	12"	12"	12"	16 1/2"	12"	4'-0"	4'-0"	4'-4 1/2"	2'-7 1/2"	2'-5"	3'-7"	3'-7"	4'-8 1/2"	2'-0"	2 1/2"	7
108"	---	11"-4 1/2"	12"	12"	12"	16 1/2"	12"	3'-8"	3'-8"	4'-0 1/2"	2'-5"	2'-2"	3'-4"	3'-4"	4'-0 1/2"	2'-0"	6 1/2"	6
102"	---	10"-10 1/2"	12"	12"	12"	16 1/2"	12"	3'-6"	3'-6"	3'-10 1/2"	2'-4"	2'-1"	3'-2"	3'-2"	3'-8 1/2"	2'-0"	16 1/2"	5
96"	10-A	10"-2 1/2"	11"	11"	11"	15 1/2"	11"	3'-3"	3'-3"	3'-8 1/2"	2'-3"	2'-11"	2'-11"	3'-4 1/2"	2'-0"	9 1/2"	5	
90"	10-B	9'-8 1/2"	11"	11"	11"	15 1/2"	11"	3'-1"	3'-1"	3'-6 1/2"	2'-1 1/2"	22"	2'-10"	2'-10"	2'-11 1/2"	2'-0"	3 1/2"	5
84"	10-C	9'-0 1/2"	10"	10"	10"	14 1/2"	10"	2'-11"	2'-11"	3'-2 1/2"	23"	21"	2'-7"	2'-7"	2'-7 1/2"	2'-0"	12 1/2"	4
78"	10-D	8'-6 1/2"	10"	10"	10"	14 1/2"	10"	2'-9"	2'-9"	3'-0 1/2"	22"	20"	2'-6"	2'-6"	2'-2 1/2"	2'-0"	6 1/2"	4
72"	10	7'-10 1/2"	9"	9"	9"	13 1/2"	9"	2'-6"	2'-6"	2'-10 1/2"	21"	18"	2'-3"	2'-3"	22 1/2"	2'-0"	15 1/2"	3
66"	11	7'-4 1/2"	9"	9"	9"	13 1/2"	9"	2'-4"	2'-4"	2'-8 1/2"	19 1/2"	17"	2'-1"	2'-1"	18 1/2"	2'-0"	9 1/2"	3
60"	12	6'-8 1/2"	8"	8"	8"	12 1/2"	8"	2'-1 1/2"	2'-1"	2'-6"	18"	15"	23"	23"	13 1/2"	2'-0"	2 1/2"	3
54"	13	6'-2 1/2"	8"	8"	8"	12 1/2"	8"	23 1/2"	23"	2'-4"	17"	14"	21"	21"	9 1/2"	2'-0"	12 1/2"	2
48"	14	5'-6 1/2"	7"	7"	7"	11 1/2"	7"	20 1/2"	21"	2'-1"	15"	12 1/2"	18 1/2"	18 1/2"	5"	2'-0"	5 1/2"	2
42"	15	5'-0 1/2"	7"	7"	7"	11 1/2"	7"	18 1/2"	19"	23"	14"	11"	---	---	17 1/2"	21"	2 1/2"	2
36"	16	4'-4 1/2"	6"	6"	6"	10 1/2"	6"	16"	16"	20 1/2"	12 1/2"	9 1/2"	---	---	10 1/2"	18"	14 1/2"	1
30"	17	4'-0"	6"	6"	6"	12"	6"	14"	14"	20"	12"	8 1/2"	---	---	6"	15"	11 1/2"	1
24"	18	4'-0"	6"	6"	12"	12"	6"	16"	16"	16"	9 1/2"	9 1/2"	---	---	6"	12"	8 1/2"	1

FOR STATE CONTRACT
ALL DIMENSIONS SHOULD
BE PREPARED IN METRIC
UNITS. SOFT CONVERSION
METHOD SHOULD BE USED.

FILE NAME =
W:\dststd\22x34\bd09.dgn

USER NAME = geglionobt
DESIGNED -
DRAWN -
CHECKED -
DATE - 06-18-82

DESIGNED -
DRAWN -
CHECKED -
DATE - 06-18-82

REVISED - 09-22-90
REVISED -
REVISED -
REVISED -

STATE OF ILLINOIS
DEPARTMENT OF TRANSPORTATION

CITY OF CHICAGO
DRAINAGE DETAILS
SCALE: NONE SHEET NO. 1 OF 1 SHEETS STA. TO STA.

F.A.I. RTE. 94	SECTION 1314B-1	COUNTY COOK	TOTAL SHEETS 110	SHEET NO. 91
BD600-12 (BD-9)		CONTRACT NO. 60F65		
FED. ROAD DIST. NO. 1 ILLINOIS FED. AID PROJECT				