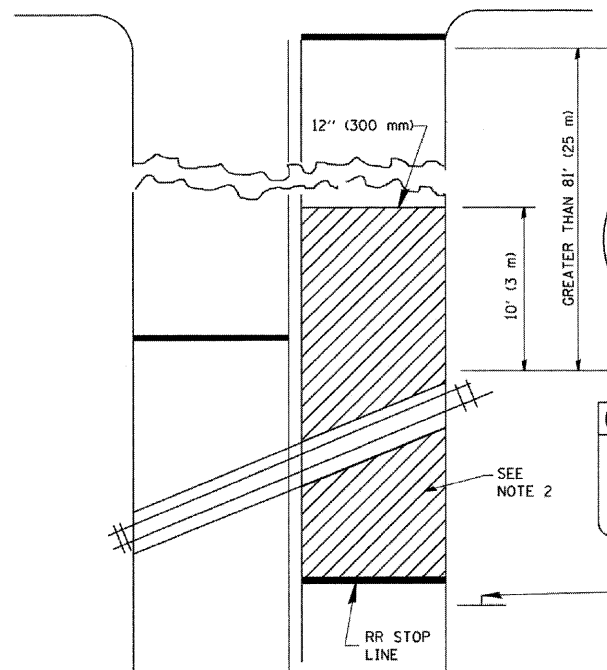
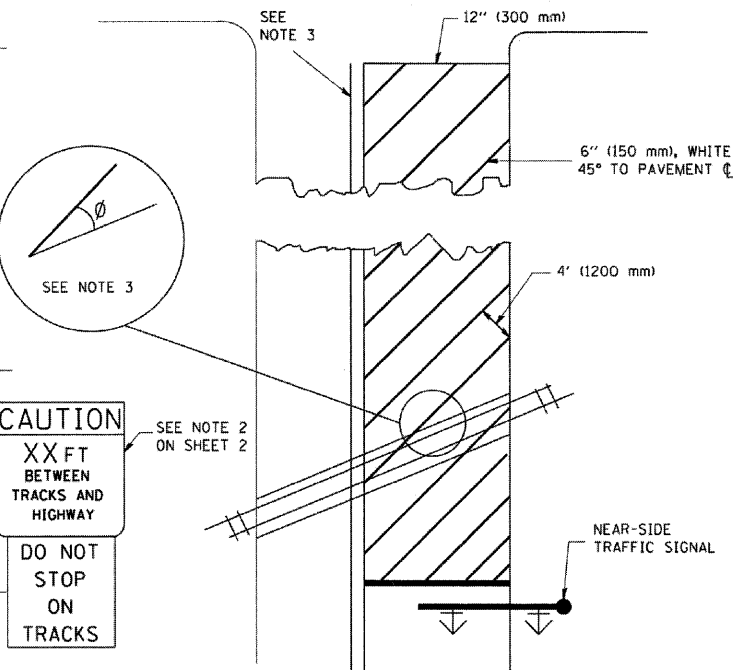


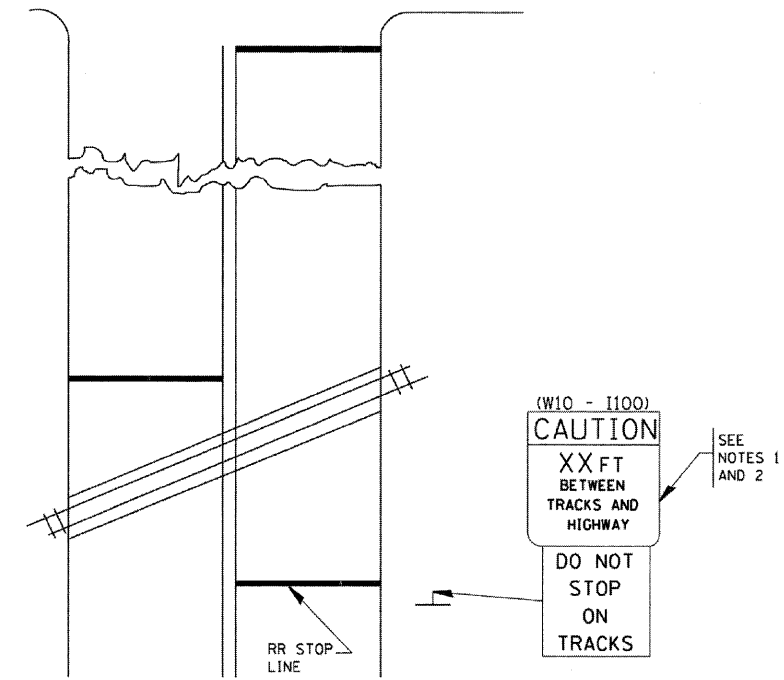
WITH INTERSECTION TRAFFIC SIGNALS



WITH NEAR-SIDE TRAFFIC SIGNALS



WITH NONSIGNALIZED INTERSECTION  
8' (2.5 m) OR LESS TO CLOSEST RAIL



- NOTES:
1. PAVEMENT MARKINGS TO BE INSTALLED ONLY ON APPROACHES TO INTERSECTIONS CONTROLLED BY TRAFFIC SIGNALS WHICH ARE INTERCONNECTED WITH THE RAILROAD WARNING SIGNALS.
  2. WHERE NEAR-SIDE TRAFFIC SIGNALS ARE USED, THE PAVEMENT MARKINGS EXTENDS TO THE INTERSECTION.
  3. WHERE THE ANGLE BETWEEN THE DIAGONAL STRIPES AND THE TRACK (Ø) WOULD BE LESS THAN APPROXIMATELY 20°, THE STRIPES SHOULD BE SLOPED IN THE OPPOSITE DIRECTION FROM THAT SHOWN.

- NOTE :
1. DISTANCE TO BE SHOWN ON SIGN MEASURED FROM A POINT 6 FEET (1.8 m) FROM THE RAIL CLOSEST TO THE INTERSECTION TO THE STOP LINE OR CROSSWALK, WHICHEVER IS CLOSEST. ROUNDED DOWN TO THE NEAREST 5 FEET (1.5 m). WHERE THERE IS NO STOP LINE, MEASURE TO POINT WHERE THE DRIVER HAS A VIEW OF APPROACHING TRAFFIC.
  2. THE CLEARANCE SIGN IS ALSO TO BE USED AS AN INTERIM MEASURE AT LOCATIONS WITH INTERCONNECTED INTERSECTION TRAFFIC SIGNALS WHERE IT IS PLANNED TO CHANGE THEM TO NEAR-SIDE SIGNALS AT A FUTURE TIME. IN THIS CASE, THE DISTANCE TO BE SHOWN ON THE SIGN IS MEASURED FROM THE EDGE OF THE STRIPED-OUT AREA INSTEAD OF 6- FEET FROM THE RAIL. THE SIGN IS TO BE REMOVED WHEN THE NEAR-SIDE SIGNALS ARE INSTALLED AND THE PAVEMENT MARKINGS EXTEND TO THE INTERSECTION.

REVISED	-	01-01-07
REVISED	-	
REVISED	-	
REVISED	-	

ALL DIMENSIONS ARE IN INCHES (MILLIMETERS) UNLESS OTHERWISE SHOWN.

**SIGNING AND PAVEMENT MARKINGS TREATMENT FOR RAILROAD CROSSINGS**

**LOXCO, INC.**  
CONSULTING ENGINEERS  
1560 WALL ST., SUITE 222  
NAPERVILLE, ILLINOIS 60563 PH: 630/ 517-9100

DESIGNED	-	MJY	
DRAWN	-	ST, TSC	REVISED -
CHECKED	-	MJY, SLV	REVISED -
DATE	-	03/26/2010	REVISED -

STATE OF ILLINOIS  
DEPARTMENT OF TRANSPORTATION

DISTRICT ONE DETAIL SHEETS		
IL ROUTE 59 OVER FLINT CREEK TRIBUTARY		
SCALE: NONE	SHEET NO. 11 OF 11 SHEETS	STA. 98+00 TO STA. 101+60

F.A.P. RTE.	SECTION	COUNTY	TOTAL SHEETS	SHEET NO.
338	108 B-1	LAKE	40	40
D-90-289-09		CONTRACT NO. 60F92		
FED. ROAD DIST. NO.		ILLINOIS FED. AID PROJECT		