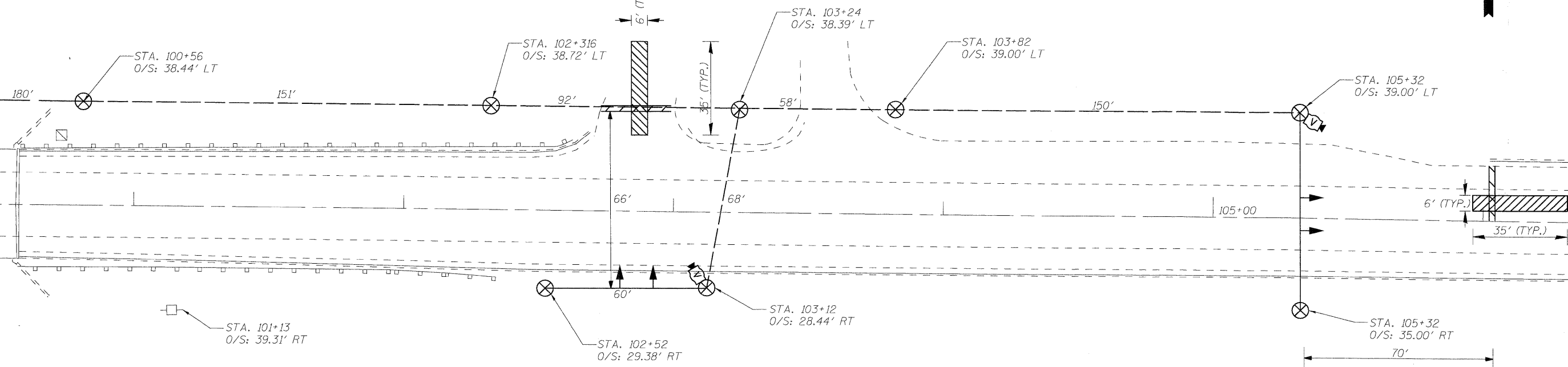


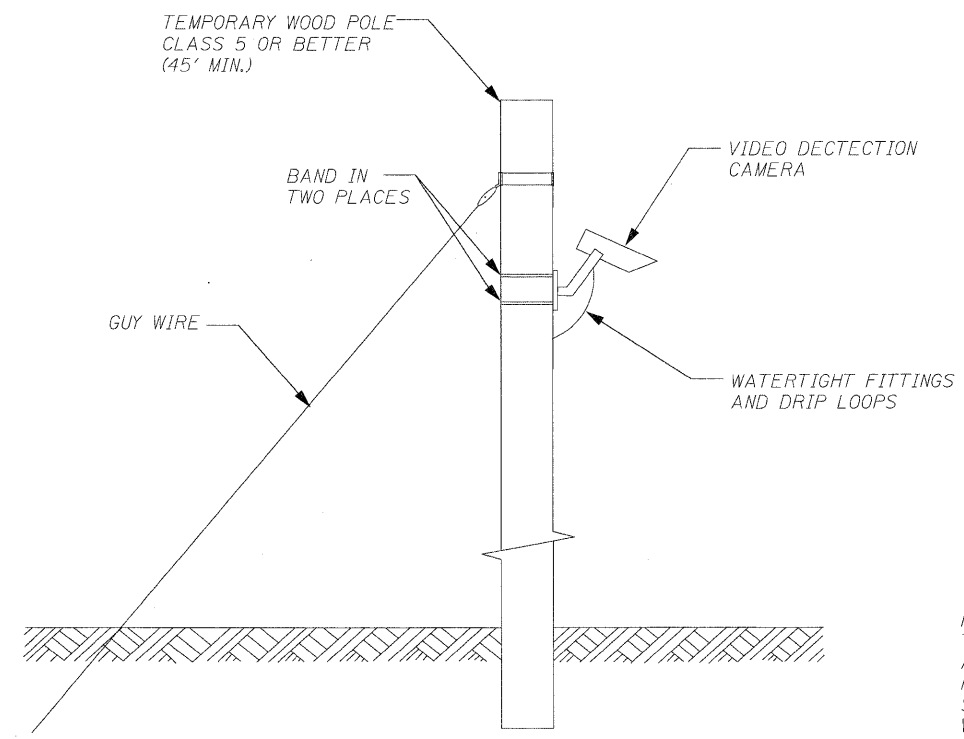


MATCHLINE STA. 100+25



TEMPORARY TRAFFIC SIGNAL LEGEND

- ▲ - TEMPORARY TRAFFIC SIGNAL HEAD SPAN WIRE MOUNTED ORIGINAL LOCATION
- ▲ - TEMPORARY TRAFFIC SIGNAL HEAD SPAN WIRE MOUNTED SECONDARY LOCATION
- ⊗ - TEMPORARY WOOD POLE (CLASS 5 OR BETTER) 45 FOOT MINIMUM
- ⊠ - TEMPORARY CONTROLLER CABINET
- - TEMPORARY SPAN WIRE, TETHER WIRE, AND CABLE
- - TEMPORARY SERVICE INSTALLATION
- ⊙ - EMERGENCY VEHICLE LIGHT DETECTOR
- ⊙ - CONFIRMATION BEACON
- - VEHICLE DETECTOR, INDUCTION LOOP
- CT - COMMON TRENCH
- UD - UNIT DUCT
- (T/P) - G.S. CONDUIT IN TRENCH (T) OR PUSHED (P)
- - HANDHOLE
- ▣ - HEAVY DUTY HANDHOLE
- Ⓜ - VIDEO DETECTOR SENSOR
- Ⓜ - UN-INTERRUPTIBLE POWER SUPPLY (UPS)
- ▨ - VIDEO DETECTION ZONE

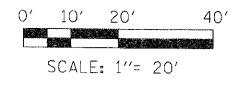


TEMPORARY VIDEO DETECTION MOUNTING DETAIL

NOT TO SCALE

RESTORATION OF WORK AREA

RESTORATION OF THE TRAFFIC SIGNAL WORK AREA SHALL BE INCIDENTAL TO THE RELATED PAY ITEM SUCH AS FOUNDATION, CONDUIT, HANDHOLE, TRENCH AND BACKFILL, ETC., AND NO EXTRA COMPENSATION SHALL BE ALLOWED. ALL ROADWAY SURFACES SUCH AS SHOULDERS, MEDIANS, SIDEWALKS, PAVEMENT, ETC. SHALL BE REPLACED IN KIND. ALL DAMAGE TO MOWED LAWNS SHALL BE REPLACED WITH AN APPROVED SOD, AND ALL DAMAGE TO UNMOWED FIELDS SHALL BE SEEDED IN ACCORDANCE WITH STANDARD SPECIFICATIONS 252 AND 250 RESPECTIVELY.



LOVCO, INC.
CONSULTING ENGINEERS
1560 WALL ST, SUITE 222
NAPERVILLE, ILLINOIS 60563 PH: (630) 577-9100

DESIGNED - MJY	REVISED -
DRAWN - ST, TSC	REVISED -
CHECKED - MJY, SLV	REVISED -
DATE - 06/25/2010	REVISED -

**STATE OF ILLINOIS
DEPARTMENT OF TRANSPORTATION**

**TEMPORARY TRAFFIC SIGNAL
IL ROUTE 173 OVER DES PLAINES RIVER**

SCALE: 1" = 20' SHEET NO. 2 OF 2 SHEETS STA. 98+00 TO STA. 101+80

F.A.I. RTE. 303	SECTION 136 B-1	COUNTY LAKE	TOTAL SHEETS 43	SHEET NO. 13
D-91-290-09			CONTRACT NO. 60F93	
FED. ROAD DIST. NO.		ILLINOIS FED. AID PROJECT		