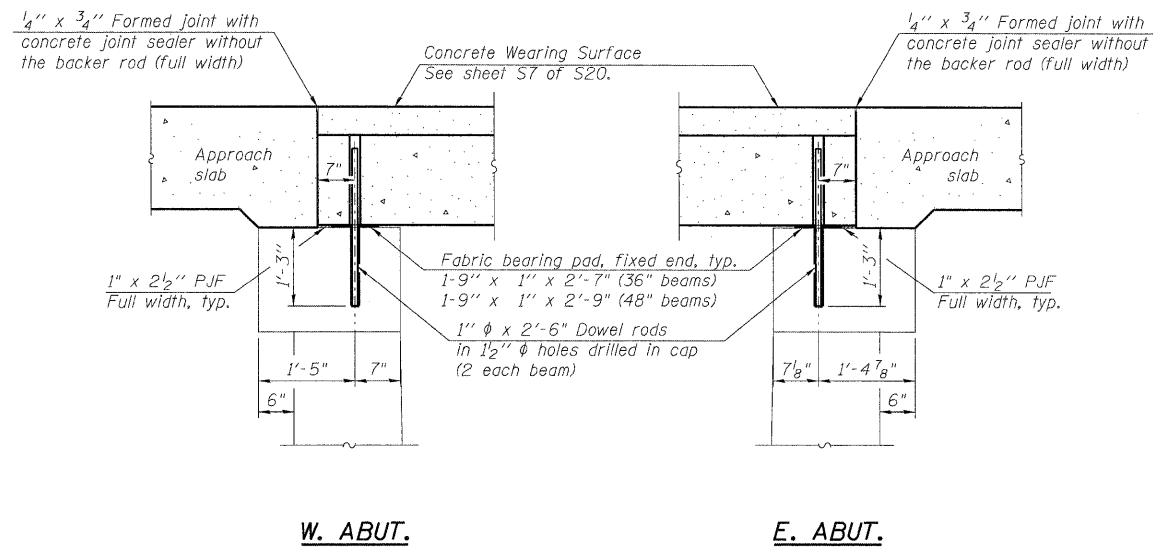


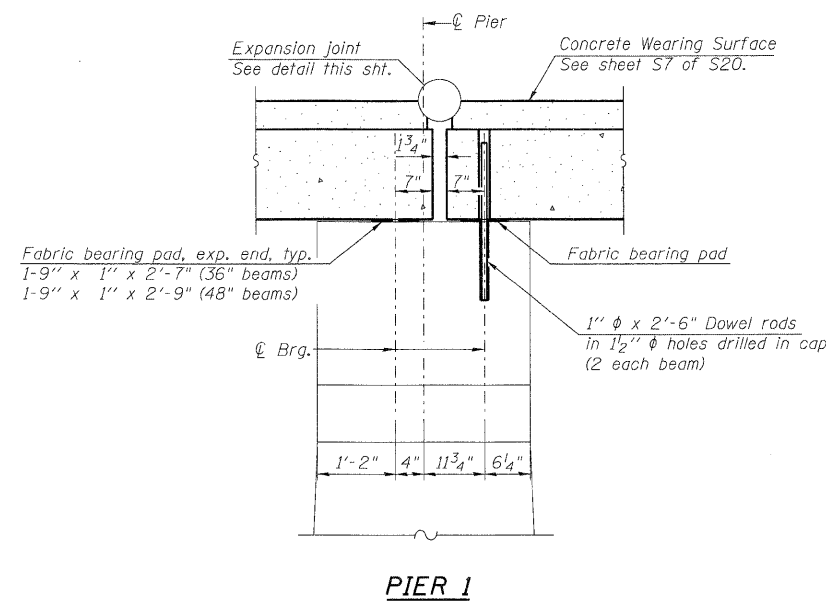
STATE OF ILLINOIS  
DEPARTMENT OF TRANSPORTATION



SECTION THRU FIXED ABUTMENT

Notes:

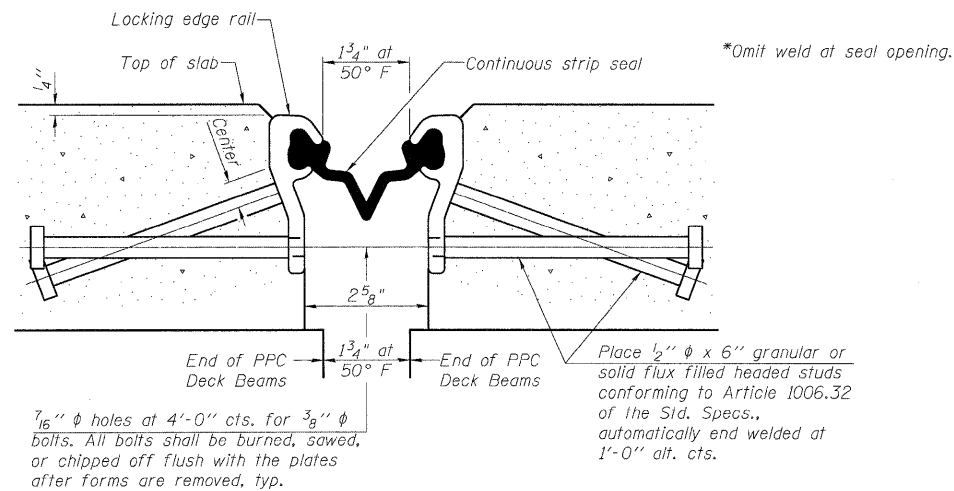
After beams have been erected, holes shall be drilled into substructure and anchor dowels placed. Dowel holes shall be filled with non-shrink grout to top of beam and allowed to cure min. 24 hrs. prior to grouting the shear keys. All horizontal dimensions are at right angles to beam ends. See sheet S14 & S16 of S20 for 48" and 36" beams bearing pad details.



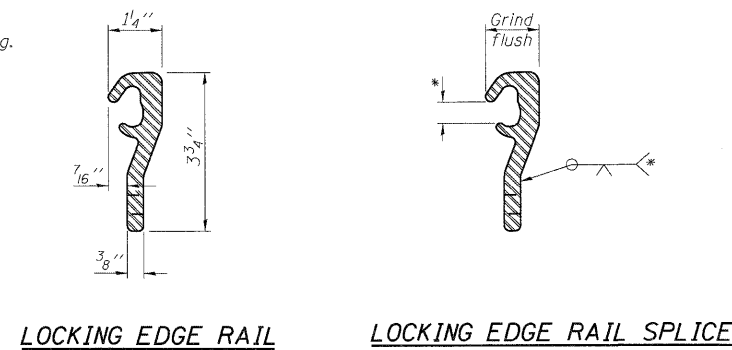
SECTION THRU PIER

Notes:

After beams have been erected, holes shall be drilled into substructure and anchor dowels placed. Dowel holes shall be filled with non-shrink grout to top of beam and allowed to cure min. 24 hrs. prior to grouting the shear keys. All horizontal dimensions are at right angles to beam ends. See sheet S14 & S16 of S20 for 48" and 36" beams bearing pad details.



SECTION THRU STRIP SEAL JOINT FOR OVERLAY OVER DECK BEAMS



Notes:

The strip seal shall be made continuous and shall have a minimum thickness of 1/4". The configuration of the strip seal shall match the configuration of the Locking Edge Rails. The height and thickness of the Locking Edge Rails shown are minimum dimensions. The actual configuration of the Locking Edge Rails and matching strip seal may vary from manufacturer to manufacturer. Flanged edge rails will not be allowed. The inside of the Locking Edge Rail groove shall be free of weld residue. Locking Edge Rails may be spliced at slope discontinuities and stage construction joints. The manufacturer's recommended installation methods shall be followed. All Steel components shall be galvanized after fabrication according to Article 520.03 of the Standard Specifications.

DESIGNED	SLV
CHECKED	DJB
DRAWN	SLV
CHECKED	DJB

**LONCO, INC.**  
CONSULTING ENGINEERS  
1560 WALL ST, SUITE 222  
NAPERVILLE, ILLINOIS 60563 PH: (630) 577-9100

SUPERSTRUCTURE DETAILS  
STRUCTURE NO. 049-0059

SHEET NO. S8 OF S20 SHEETS	F.A.P. RTE.	SECTION	COUNTY	TOTAL SHEETS	SHEET NO.
	303	136 B-1	LAKE	43	23
D-91-290-09			CONTRACT NO. 60F93		
FED. ROAD DIST. NO. _ ILLINOIS FED. AID PROJECT					