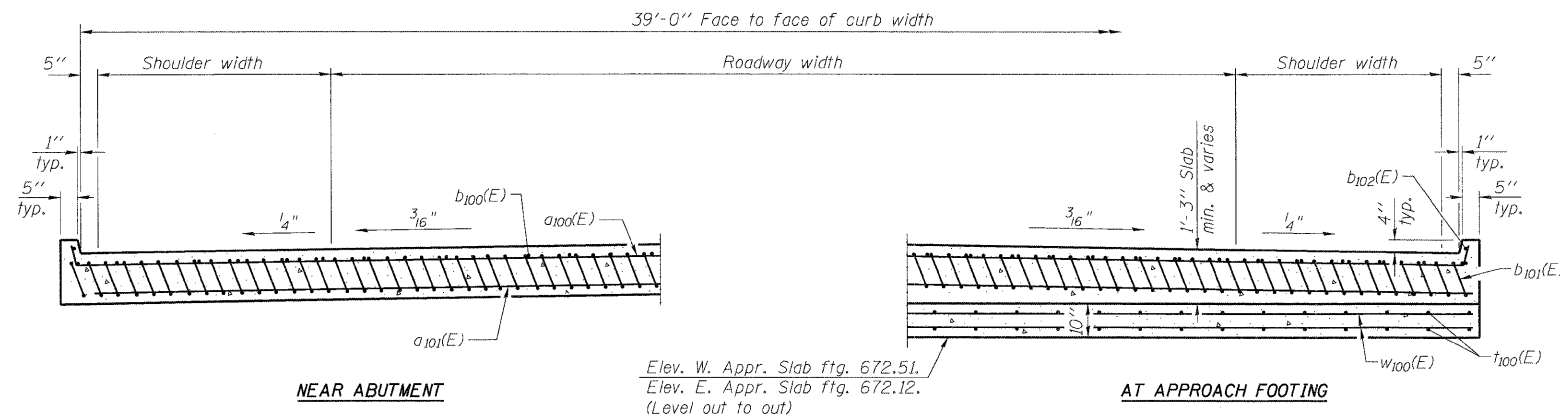
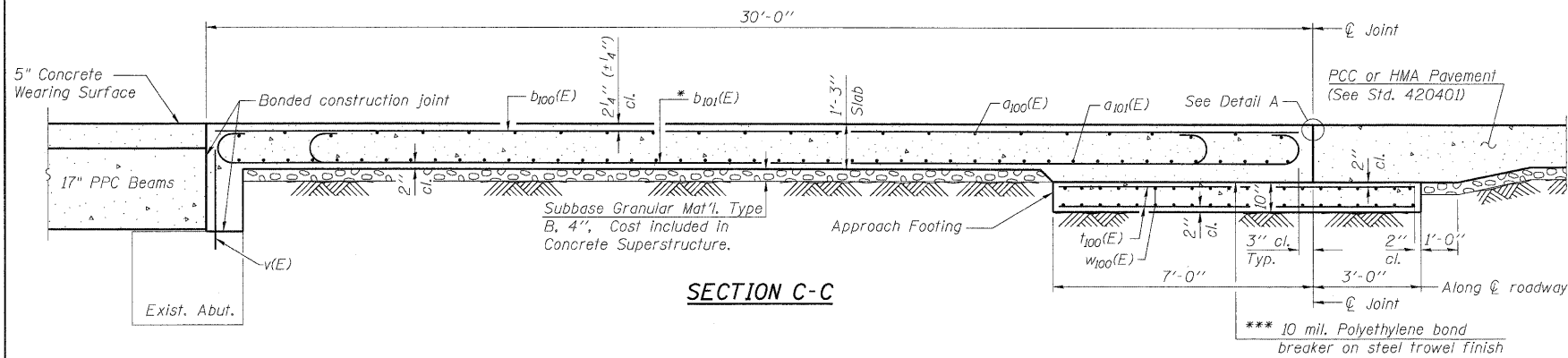
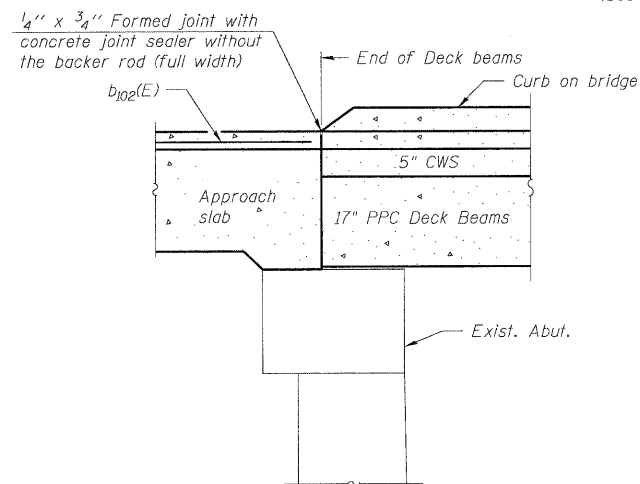


STATE OF ILLINOIS
DEPARTMENT OF TRANSPORTATION

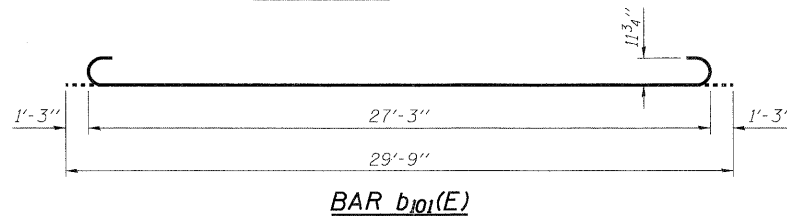
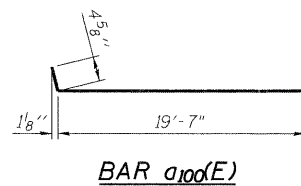
Notes:
See sheet S11 of S20 for Detail A.
Approach slab shall be paid for as Concrete Superstructure.
Approach footing concrete shall be paid for as Concrete Structures.
Reinforcement shall be paid for as Reinforcement Bars, Epoxy Coated.
For v(E) bar details, see sheet S17 and S18 of S20.
The approach footing maximum applied service bearing pressure (Qmax) = 2.0 ksf.
For bar splicer details, see sheet S20 of S20.
Cost of excavation for approach footing included with Concrete Structures.



* Tilt #9 b₁₀₁(E) bars as required to maintain clearance.
*** Cost included with Concrete Superstructure.



VIEW E-E



TWO APPROACHES
BILL OF MATERIAL

Bar	No.	Size	Length	Shape
a ₁₀₀ (E)	100	#4	19'-8"	—
a ₁₀₁ (E)	184	#5	19'-8"	—
b ₁₀₀ (E)	62	#4	29'-8"	—
b ₁₀₁ (E)	190	#9	29'-9"	—
b ₁₀₂ (E)	4	#4	29'-8"	—
t ₁₀₀ (E)	164	#4	9'-6"	—
w ₁₀₀ (E)	160	#5	19'-6"	—
Concrete Superstructure		Cu. Yd.	111.8	
Concrete Structures		Cu. Yd.	24.7	
Reinforcement Bars, Epoxy Coated		Pound	29910	
Bar Splicers		Each	222	

DESIGNED	SLV
CHECKED	DJB
DRAWN	SLV
CHECKED	DJB

LONGO, INC.
CONSULTING ENGINEERS
1560 WALL ST., SUITE 222
NAPERVILLE, ILLINOIS 60563 PH: (630) 577-9100

(Sheet 2 of 2)
BRIDGE APPROACH SLAB DETAILS
STRUCTURE NO. 049-0059

SHEET NO. S12 OF S20 SHEETS	F.A.P. RTE.	SECTION	COUNTY	TOTAL SHEETS	SHEET NO.
	303	136 B-1	LAKE	43	27
D-91-290-09			CONTRACT NO. 60F93		
FED. ROAD DIST. NO. ILLINOIS FED. AID PROJECT					