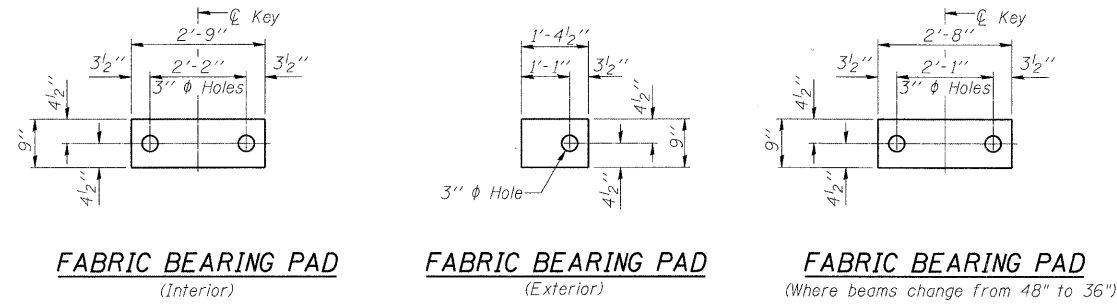
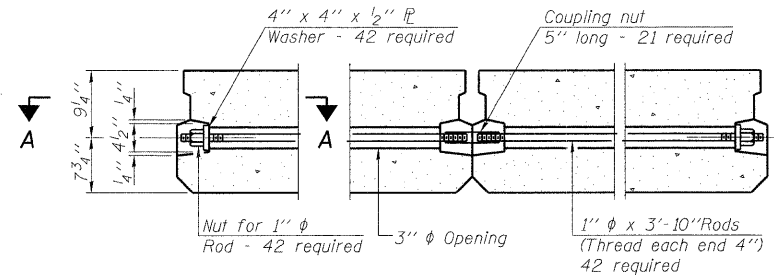


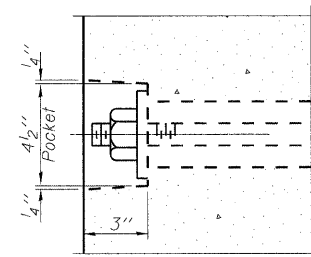
STATE OF ILLINOIS
DEPARTMENT OF TRANSPORTATION



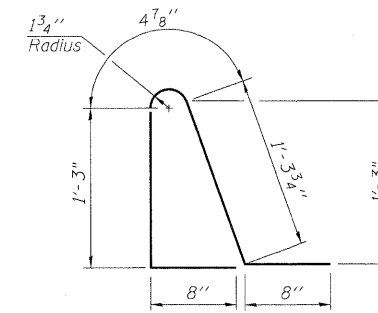
FIXED
Notes:
All bearing pads shall be 1" thick.
Omit holes when using expansion bearings.
Expansion bearing pad shall be bonded to the substructure.



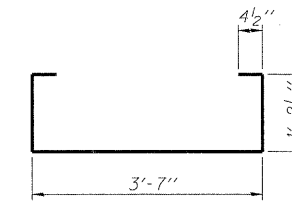
TYPICAL TRANSVERSE TIE ASSEMBLY



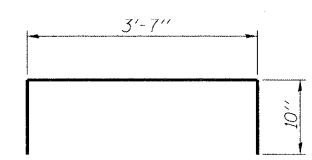
SECTION A-A



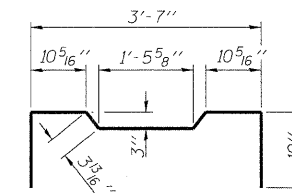
BAR D(E)



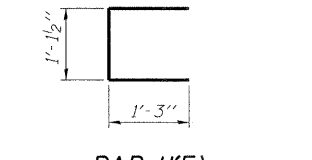
BAR S(E)



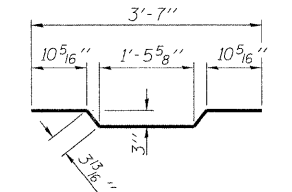
BAR S1(E)



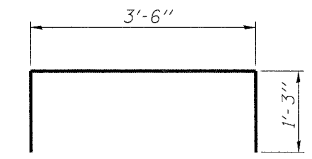
BAR S2(E)



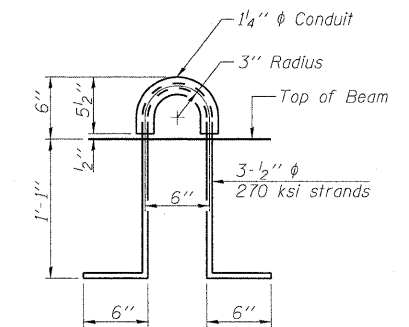
BAR U(E)



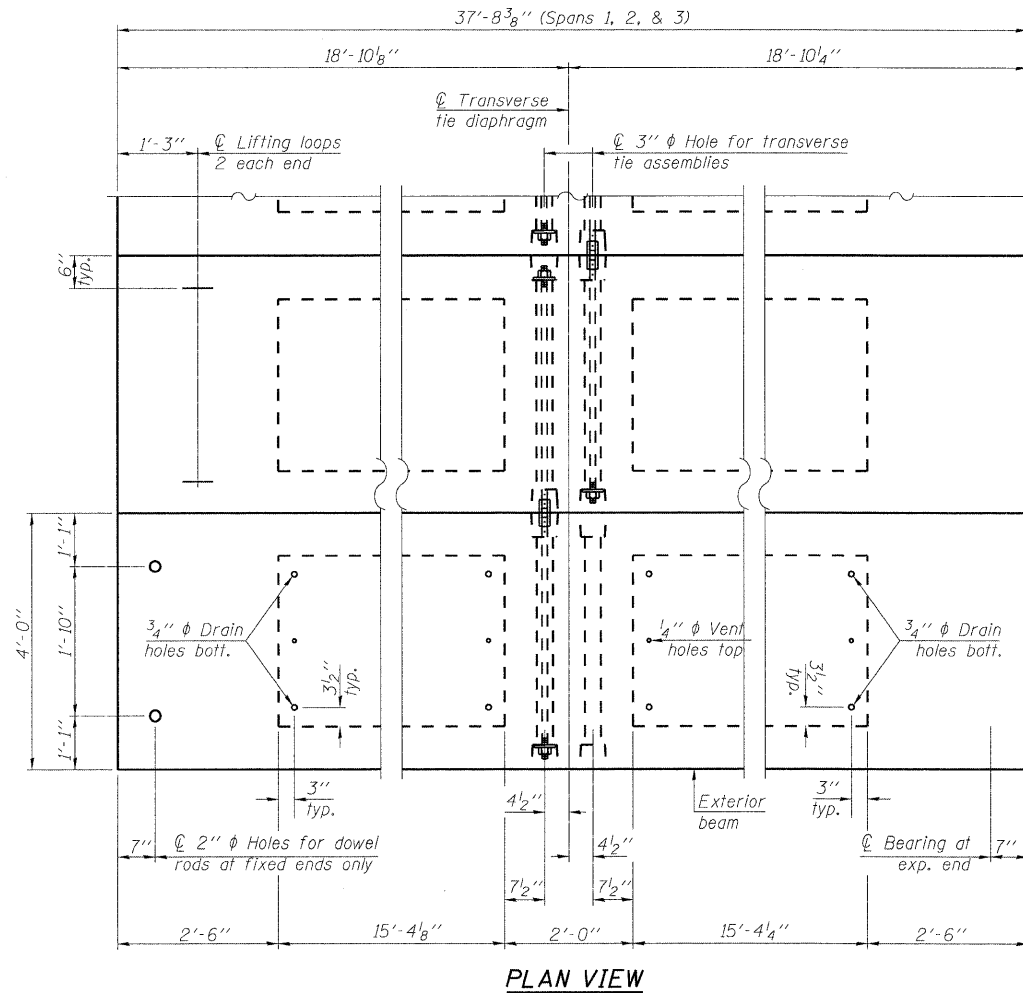
BAR A1(E)



BAR U1(E)



LIFTING LOOP DETAIL



PLAN VIEW

Note: Connect beams in pairs with the transverse tie configuration shown.

NOTES
Prestressing steel shall be uncoated high strength, low relaxation 7-wire strand, Grade 270. The nominal diameter shall be 1/2" and the nominal cross-sectional area shall be 0.153 sq. in.
The 1" rods in the transverse tie assembly shall be tightened to a snug fit and the threads set. Pockets on exterior faces of bridge shall be filled with grout after transverse tie assembly is in place.
Reinforcement bars shall conform to ASTM A 706, Grade 60. (See Special Provisions).
Two 1/8" fabric adjusting shims of the dimensions of the exterior bearing pad shall be provided for each bearing pad location.
A minimum 2 1/2" phi lifting pin shall be used to engage the lifting loops during handling.
Corrosion Inhibitor, per Article 1020.05(b)(12) and 1021.06 of the Standard Specifications, shall be used in the concrete for precast prestressed concrete deck beams.
Compressive strength of prestressed concrete, f'c, shall be 6000 psi.
Compressive strength of prestressed concrete at release, f'ci, shall be 5000 psi.
See sht. S15 of S20 for 36" PPC Deck Beam Details.

BILL OF MATERIAL

Item	Unit	Quantity
Precast Prestressed Conc. Deck Bms. (17" depth)	Sq. Ft.	3619

DESIGNED	SLV
CHECKED	DJB
DRAWN	SLV
CHECKED	DJB

LONGCO, INC.
CONSULTING ENGINEERS
1560 WALL ST, SUITE 222
NAPERVILLE, ILLINOIS 60563 PH: (630) 577-9100

17" x 48" PPC DECK BEAM DETAILS
STRUCTURE NO. 049-0059

SHEET NO. S14 OF S20 SHEETS	F.A.P. RTE.	SECTION	COUNTY	TOTAL SHEETS	SHEET NO.
	303	136 B-1	LAKE	43	29
D-91-290-09			CONTRACT NO. 60F93		
FED. ROAD DIST. NO. _		ILLINOIS	FED. AID PROJECT		