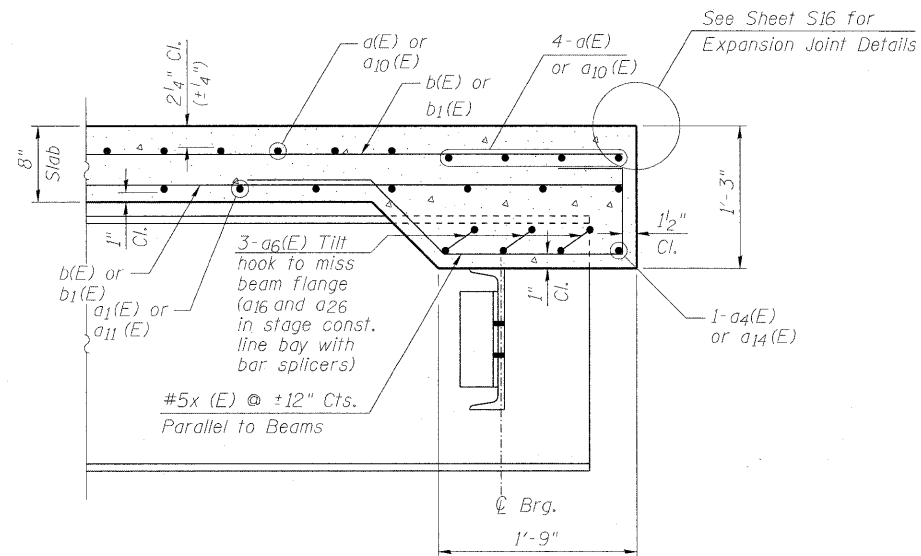
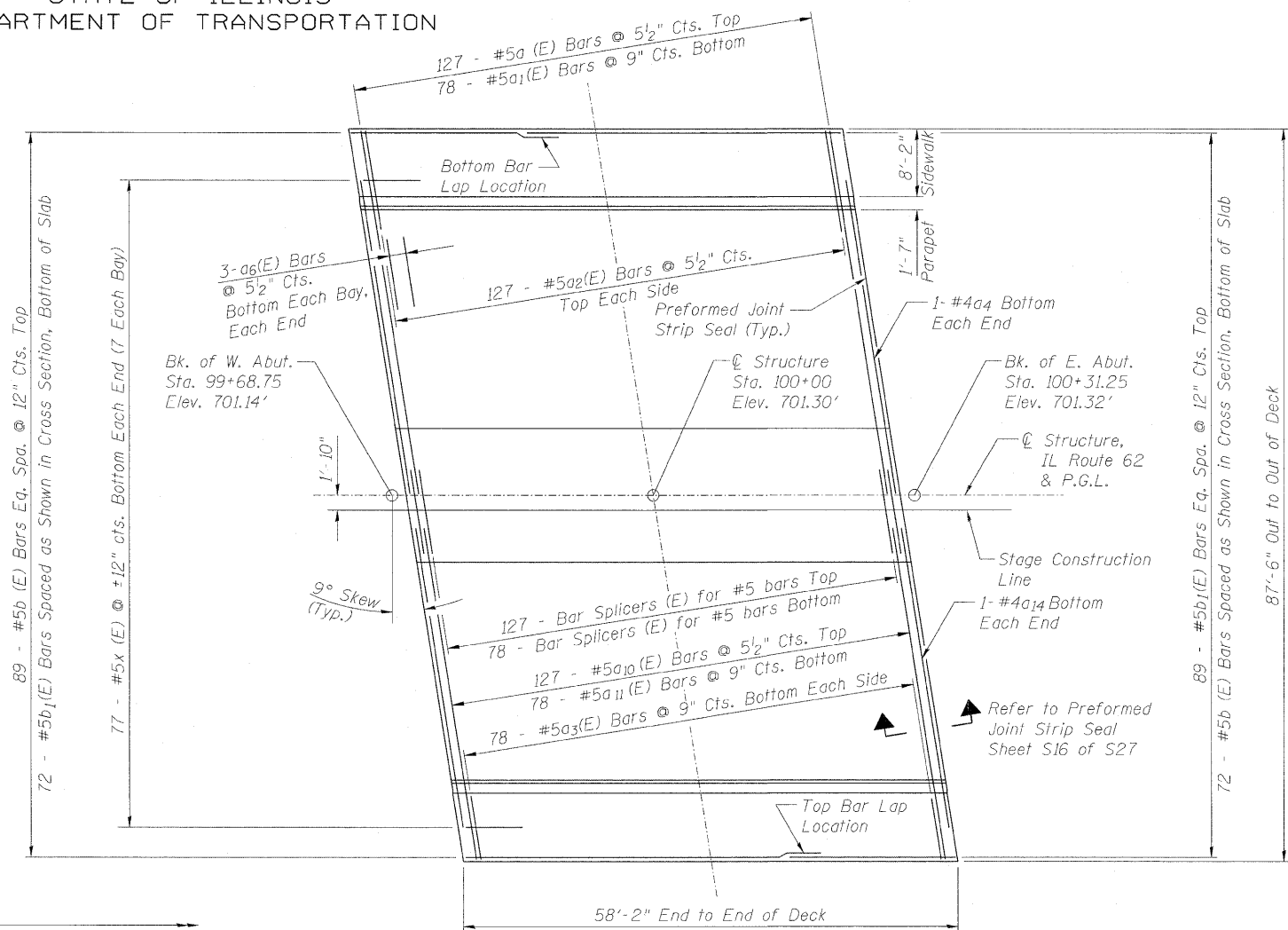


STATE OF ILLINOIS  
DEPARTMENT OF TRANSPORTATION

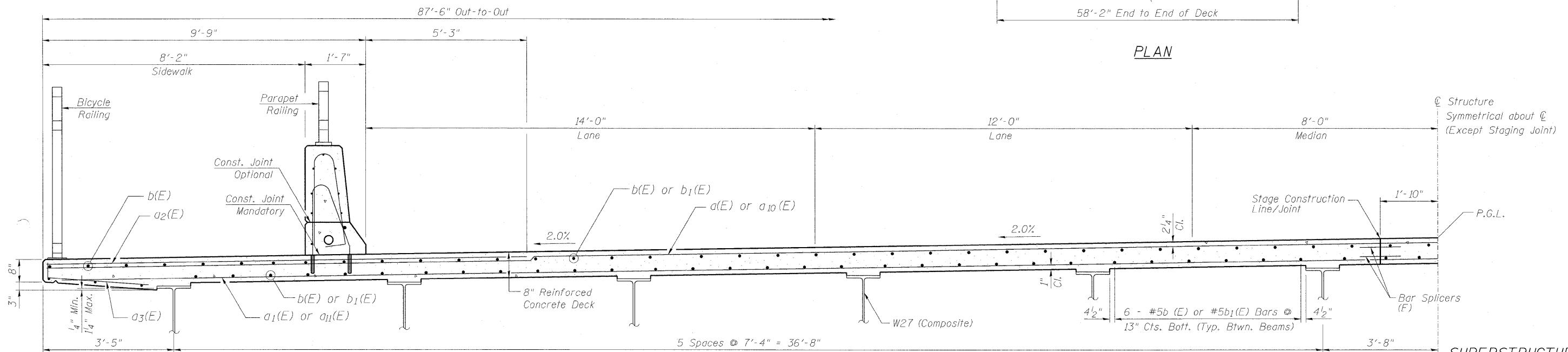


SECTION AT EXPANSION JOINT

Note:  
See sheet S8 for Superstructure Details, Bar Details,  
Parapet Reinforcement, and Bill of Materials.



PLAN



PARTIAL CROSS SECTION  
(Looking West)

SUPERSTRUCTURE PLAN  
AND CROSS SECTION  
STRUCTURE NO. 016-0581

DESIGNED	MAH
CHECKED	JMH
DRAWN	DR
CHECKED	JMH

Minimum Bar Lap  
#4 Bars = 2'-7"  
#5 Bars = 3'-3"  
#8 Bars = 6'-9"

**COLLINS ENGINEERS**  
123 N. WACKER DR., SUITE 300  
CHICAGO, IL 60606  
(312) 704-9300  
ILLINOIS PROFESSIONAL DESIGN FIRM LICENSE NO. 184-000993

SHEET NO. S7 OF S27 SHEETS	F.A.P. RTE.	SECTION	COUNTY	TOTAL SHEETS	SHEET NO.
	339	116-Y-2-BR-1	COOK	74	29
			CONTRACT NO. 60J00		
ILLINOIS FED. AID PROJECT					