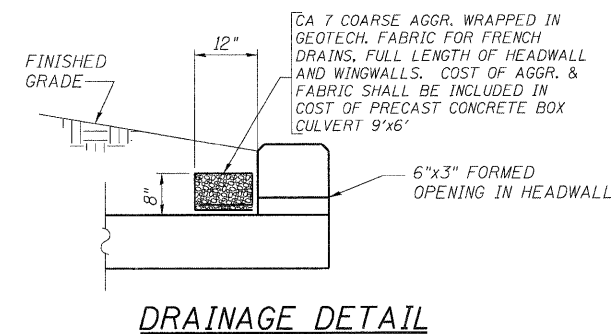


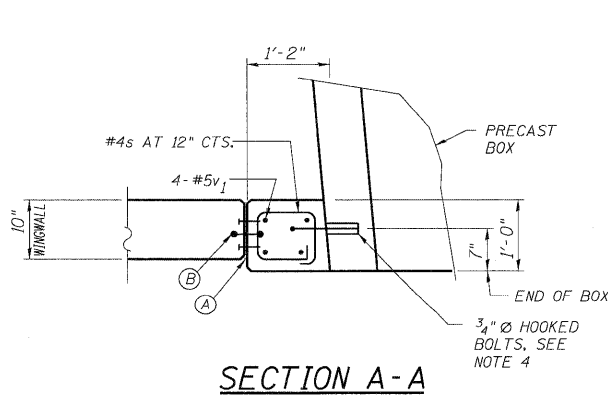
HEADWALL ELEVATION

SIDE ELEVATION

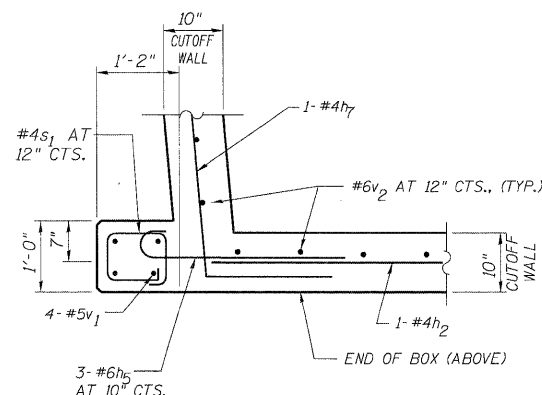
- (A) 1/2" PREMOULDED JOINT FILLER, INSTALL w/ 2 COLUMNS OF CONC. NAILS (FLAT HD. C.S.), 1" LONG, AT 12" CTS., VERTICAL.
- (B) 6" HOLLOW BULB TYPE NONMETALLIC WATER SEAL (6" FROM TOP OF WALL TO TOP OF FOOTING).



DRAINAGE DETAIL



SECTION A-A



SECTION B-B

NOTES

1. CONTRACTOR SHALL COORDINATE PRECAST CULVERT DIMENSIONS WITH SUPPLIER BEFORE ORDERING MATERIALS.
2. ALL EDGES SHALL HAVE STANDARD 3/4" CHAMFERS, EXCEPT AS NOTED.
3. REINFORCEMENT BARS DESIGNATED (E) SHALL BE EPOXY COATED.
4. TO CONNECT CAST-IN-PLACE COLLAR TO PRECAST BOX, PROVIDE 3/4" HOOKED BOLTS WITH EMBEDDED INSERTS AT 12" MAXIMUM CENTERS. HOOKED BOLTS SHALL EXTEND 6" INTO HEADWALL AND 9" INTO SIDES OF COLLAR. COST SHALL BE INCLUDED IN THE PRECAST CONCRETE BOX CULVERT 8'x8' ITEM.
5. PROVIDE PROTECTIVE COAT ON TOP HORIZONTAL SURFACES AND TOP 6" ON INSIDE FACES OF HEADWALLS.

HEADWALL DETAILS (WEST HEADWALL)
WEST RIVER ROAD OVER UNNAMED TRIBUTARY TO KANKAKEE RIVER
(0.1 MI NORTH OF IL ROUTE 113)
F.A.U. RT. 0327
SECTION 112 T-2
WILL COUNTY
STA. 82+55.73
STRUCTURE NO. 099-0520

DESIGNED	ST
CHECKED	SLV
DRAWN	ST
CHECKED	DJB

LONCO, INC.
 CONSULTING ENGINEERS
 1560 WALL ST., SUITE 222
 NAPERVILLE, ILLINOIS 60563 PH: (630) 577-9100

SHEET NO. S3 OF S5 SHEETS	F.A.U. RTE.	SECTION	COUNTY	TOTAL SHEETS	SHEET NO.
	0327	112 T-2	WILL	22	15
D-91-198-10			CONTRACT NO. 60J17		
FED. ROAD DIST. NO. _ ILLINOIS FED. AID PROJECT					