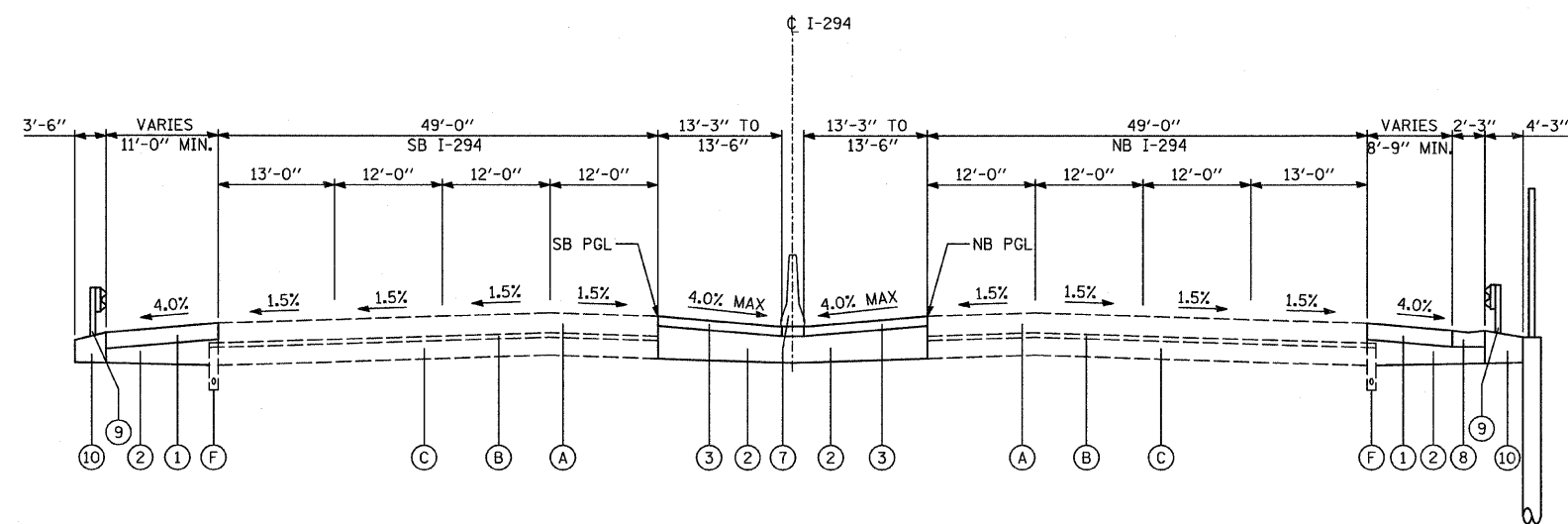


PROPOSED TYPICAL SECTION
I-294 (TRI-STATE)
STA. 405+09 TO STA. 407+19



PROPOSED TYPICAL SECTION
I-294 (TRI-STATE)
STA. 404+29 TO STA. 405+09
STA. 407+19 TO STA. 408+34

EXISTING LEGEND

- (A) EXISTING CONTINUOUSLY REINFORCED PORTLAND CONCRETE PAVEMENT, 12"±
- (B) EXISTING HOT-MIX ASPHALT BASE COURSE, 3"±
- (C) EXISTING AGGREGATE SUBGRADE, SPECIAL 12"±
- (D) EXISTING HMA CONCRETE SHOULDER, 9"±
- (E) EXISTING HMA CONCRETE SHOULDER, 6"±
- (F) EXISTING SUBSURFACE PAVEMENT DRAIN, 6" OR 8"
- (G) EXISTING DRAINAGE STRUCTURE AND STORM SEWER
- (H) CONCRETE BARRIER, SINGLE FACE, TYPE F, MODIFIED
- (I) EXISTING BRIDGE PIER
- (J) EXISTING BRIDGE ABUTMENT

PROPOSED LEGEND

- (1) PROPOSED HMA SHOULDER, 9"
- (2) PROPOSED AGGREGATE SUBGRADE, 12"±
- (3) PROPOSED HMA SHOULDER, 6"±
- (4) PROPOSED BRIDGE PIER
- (5) PROPOSED BRIDGE ABUTMENT
- (6) PROPOSED CONCRETE BARRIER, SINGLE FACE, TYPE F, MODIFIED
- (7) PROPOSED CONCRETE MEDIAN BARRIER TRANSITION, TYPE V-F
- (8) PROPOSED CONCRETE GUTTER, TYPE G3 TRANSITION
- (9) PROPOSED GUARDRAIL, TYPE B
- (10) PROPOSED AGGREGATE SHOULDER SPECIAL, TYPE C
- (11) PROPOSED POROUS GRANULAR EMBANKMENT, SPECIAL 6"±
- (12) PROPOSED GEOTECHNICAL FABRIC

ISTHA HOT-MIX ASPHALT MIXTURE REQUIREMENTS

ITEM	AIR VOIDS
HOT-MIX ASPHALT SHOULDERS, 6"	
HOT-MIX ASPHALT SURFACE COURSE, MIX "D", N70 (1 3/4")	4% @ 70 Gyr.
HOT-MIX ASPHALT BINDER COURSE, IL-19.0, N70 (4/4")	4% @ 70 Gyr.
HOT-MIX ASPHALT SHOULDERS, 9"	
HOT-MIX ASPHALT SURFACE COURSE, MIX "D", N70 (1 3/4")	4% @ 70 Gyr.
HOT-MIX ASPHALT BINDER COURSE, IL-19.0, N70 (7/4")	4% @ 70 Gyr.

THE UNIT WEIGHT USED TO CALCULATE ALL HMA SURFACE MIXTURE QUANTITIES IS 112 LB/SQ YD/IN.

"THE AC TYPE" FOR POLYMERIZED HMA MIXES SHALL BE "SBS/SBR PG 70-22" AND FOR NON-POLYMERIZED HMA THE "AC TYPE" SHALL BE "PG 64-22" UNLESS MODIFIED BY DISTRICT ONE SPECIAL PROVISIONS."

FOR "PERCENT OF RAP" SEE DISTRICT ONE SPECIAL PROVISIONS

TYLIN INTERNATIONAL	USER NAME =	DESIGNED - CAC	REVISED - 4/29/2010	STATE OF ILLINOIS DEPARTMENT OF TRANSPORTATION	I-57 AT I-294 INTERCHANGE PROJECT PROPOSED TYPICAL SECTIONS			F.A.I. RTE. = 57	SECTION = 1414.2B	COUNTY = COOK	TOTAL SHEETS = 516	SHEET NO. = 26	
	PLOT SCALE =	DRAWN - CAC	REVISED -		SCALE: NTS	SHEET NO. 1 OF 1 SHEETS	STA. TO STA.	CONTRACT NO. 60J27					
	PLOT DATE =	CHECKED - JDF	REVISED -		FED. ROAD DIST. NO. ILLINOIS FED. AID PROJECT								
		DATE - 3/18/2010	REVISED -										