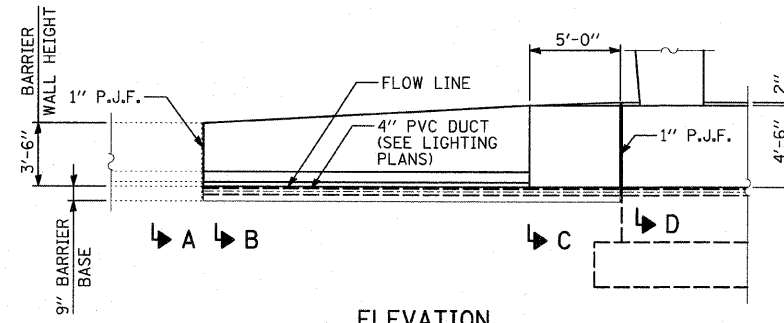
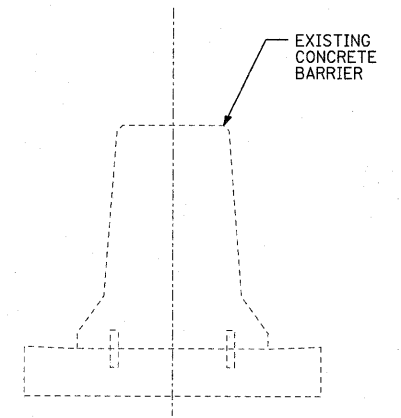


PLAN

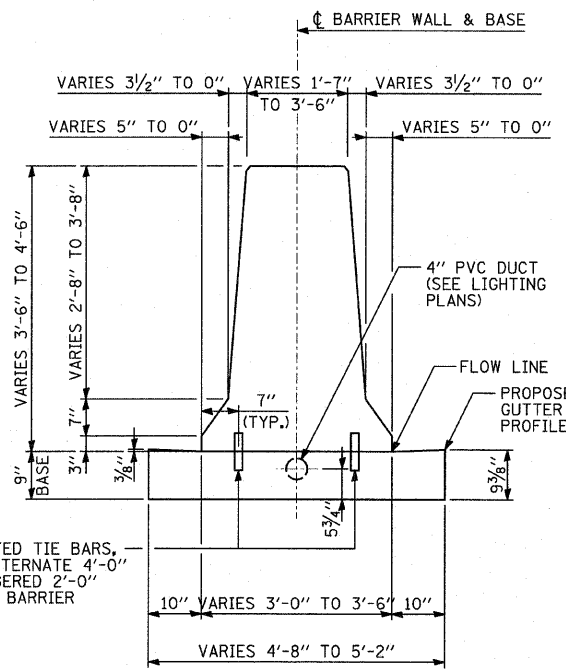


ELEVATION



SECTION A-A

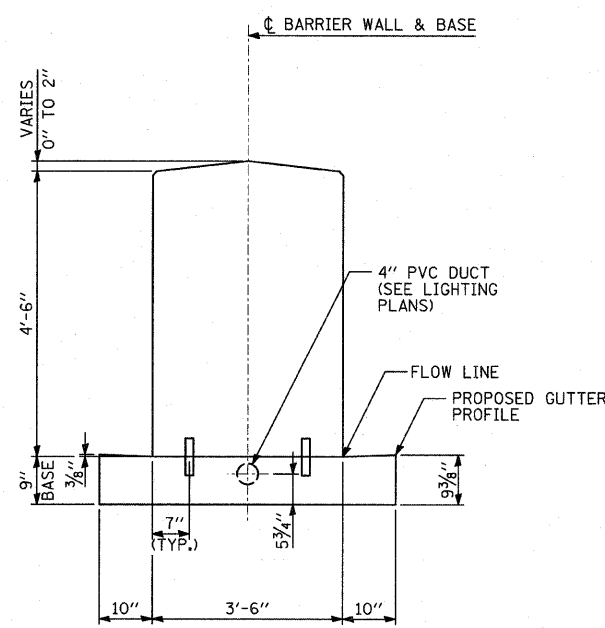
CONTRACTOR SHALL VERIFY DIMENSIONS IN THE FIELD



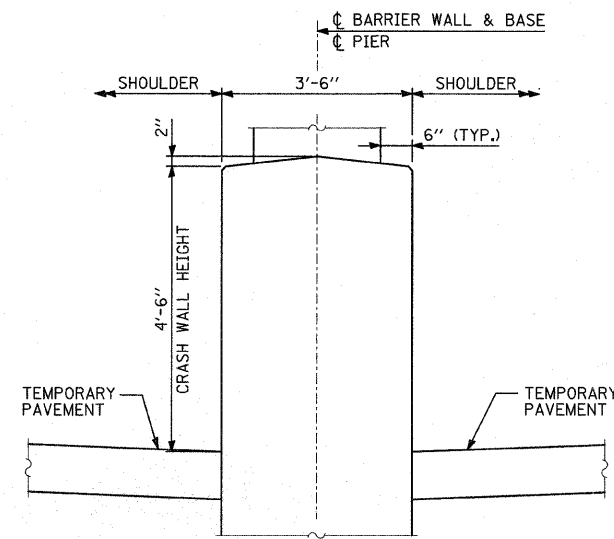
SECTION B-B

#8 EPOXY COATED TIE BARS, 8" LONG AT ALTERNATE 4'-0" CENTERS STAGGERED 2'-0" INCLUDED WITH BARRIER BASE (TYP.)

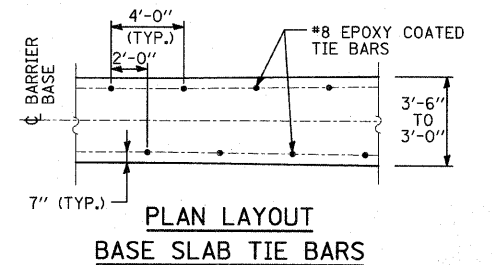
NOTE: SLIGHT VARIATIONS TO THE DIMENSIONS SHOWN MAY BE NECESSARY BASED ON THE FIELD MEASUREMENTS IN SECTION A-A



SECTION C-C



SECTION D-D



PLAN LAYOUT BASE SLAB TIE BARS

NOTES:

- 1" DEEP CONTRACTION JOINT SHALL BE CONSTRUCTED IN THE BARRIER WALL ONLY (NOT IN THE BARRIER BASE). THE LOCATION OF THE CONTRACTION JOINT SHALL MATCH CRACKS THAT HAVE ALREADY DEVELOPED IN THE BASE, CONTRACTION STRUCTURES. MAXIMUM JOINT SPACING SHALL BE 20'.
- THE FORMING OF CONTRACTION JOINTS SHALL BE DONE WITH AN APPROVED FISHING TOOL AT THE DISCRETION OF THE ENGINEER SUBJECT TO THE SATISFACTORY CONTROL OF CRACKING. THE SAWING OF CONTRACTION JOINTS IN THE BARRIER WALL SHALL NOT BE PERMITTED.
- TOP SHOULDER EDGE OF GUTTER SLAB SHALL MATCH THE TOP OF SHOULDER ELEVATION.

TYLIN INTERNATIONAL	USER NAME =	DESIGNED - CAC	REVISED -	STATE OF ILLINOIS DEPARTMENT OF TRANSPORTATION	I-57 AT I-294 INTERCHANGE PROJECT BARRIER TRANSITION DETAILS FOR I-294		F.A.I. RTE. 57	SECTION 1414.2B	COUNTY COOK	TOTAL SHEETS 516	SHEET NO. 62
	PLOT SCALE =	DRAWN - CAC	REVISED -		SCALE: NTS	SHEET NO. 1 OF 1 SHEETS	STA. TO STA.	FED. ROAD DIST. NO.	ILLINOIS FED. AID PROJECT	CONTRACT NO. 60J27	
	PLOT DATE =	CHECKED - JDF	REVISED -		DATE - 3/18/2010	REVISED -					