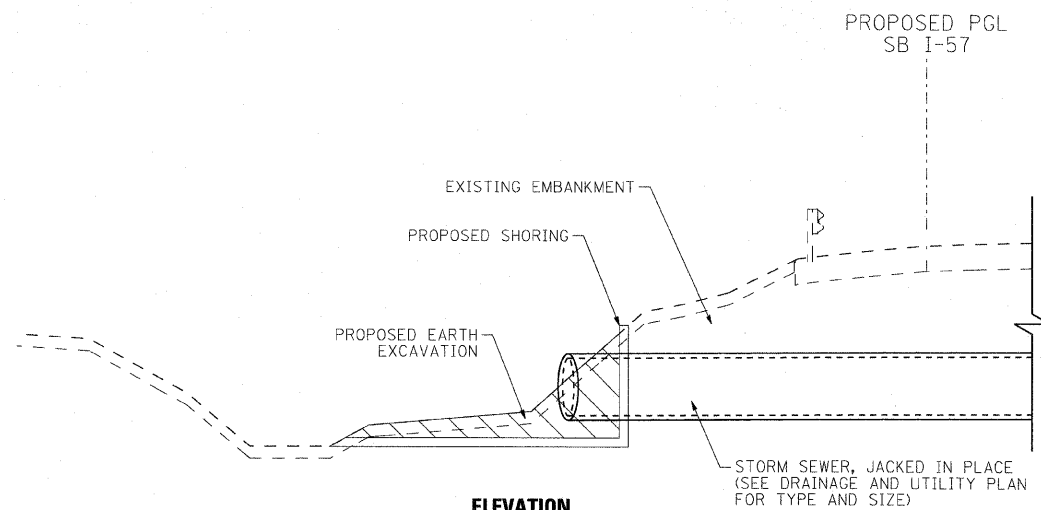
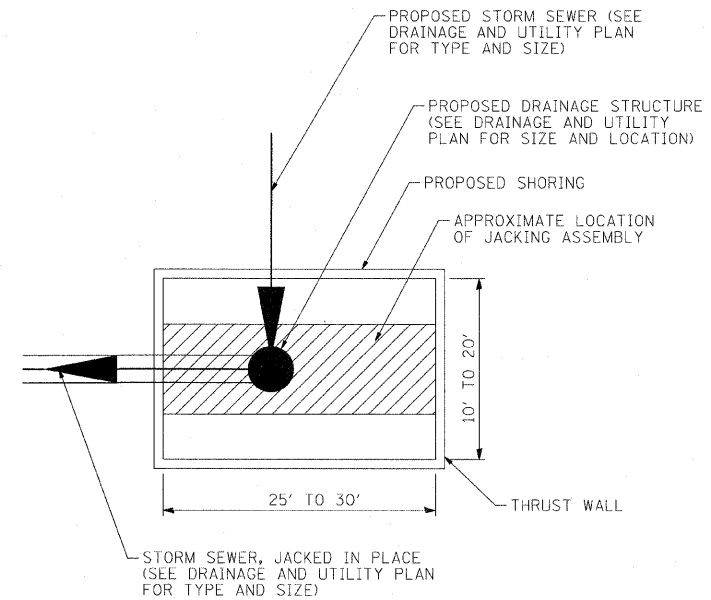


PLAN

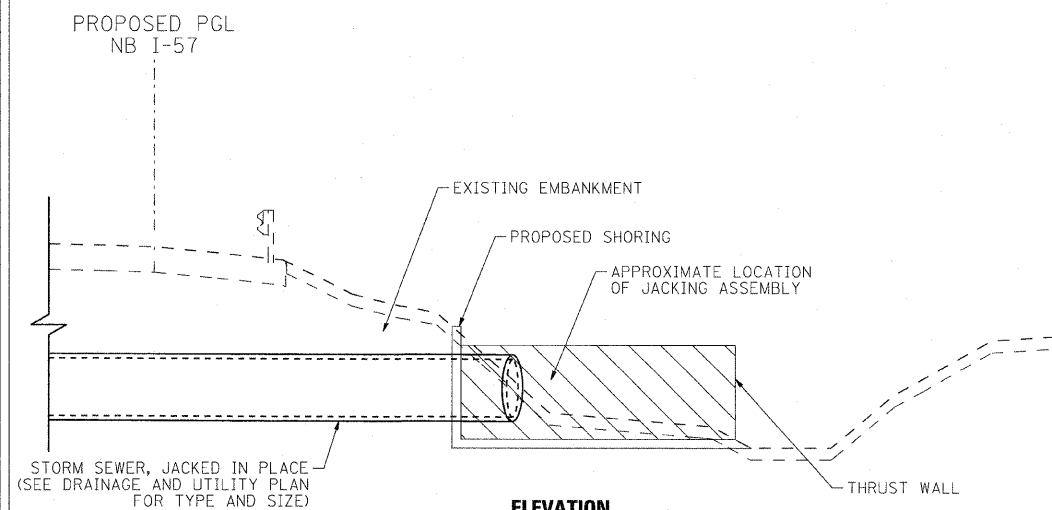


ELEVATION

RECEIVING PIT DETAIL



PLAN



ELEVATION

JACKING PIT DETAIL

NOTE:

TEMPORARY CHAIN LINK FENCE (PORTABLE) SHALL BE INSTALLED AT ALL JACKING AND RECEIVING PIT LOCATIONS ADJACENT TO LOCAL AND FRONTAGE ROADS. A QUANTITY OF 80 LF IS PROVIDED FOR ALL APPLICABLE LOCATIONS.

COMPANY NAME: SEC GROUP, INC.
 PROJECT CONTACT: T. HAMILTON
 CLIENT: ILLINOIS DEPARTMENT OF TRANSPORTATION
 DATE PLOTTED: 3/17/2010 10:27:38 AM
 FILE NAME: PL_PP_Details-Pipe-Jacking.dwg
 PLOT DRIVER: pdfLJET-11f.plt
 PEN TABLE: standard.ctb



| | | |
|--|-------------------------|-----------|
| USER NAME = Jattana | DESIGNED - J. ATTANASEO | REVISED - |
| FILE NAME = PL_PP_Details-Pipe-Jacking.dwg | DRAWN - J. ATTANASEO | REVISED - |
| PLOT SCALE = N.T.S. | CHECKED - | REVISED - |
| PLOT DATE = 3/17/2010 | DATE - 3/17/10 | REVISED - |

**STATE OF ILLINOIS
 DEPARTMENT OF TRANSPORTATION**

**I-294 AT I-57 INTERCHANGE PROJECT DRAINAGE DETAILS
 JACKING AND RECEIVING PIT DETAILS**

SCALE: #SCALE# SHEET NO. 4 OF 5 SHEETS STA. TO STA.

| | | | | |
|---|-----------------|-------------|------------------|---------------|
| F.A.I. RTE: 57 | SECTION 1414.2B | COUNTY COOK | TOTAL SHEETS 516 | SHEET NO. 160 |
| CONTRACT NO. 60J27 | | | | |
| FED. ROAD DIST. NO. ILLINOIS FED. AID PROJECT | | | | |