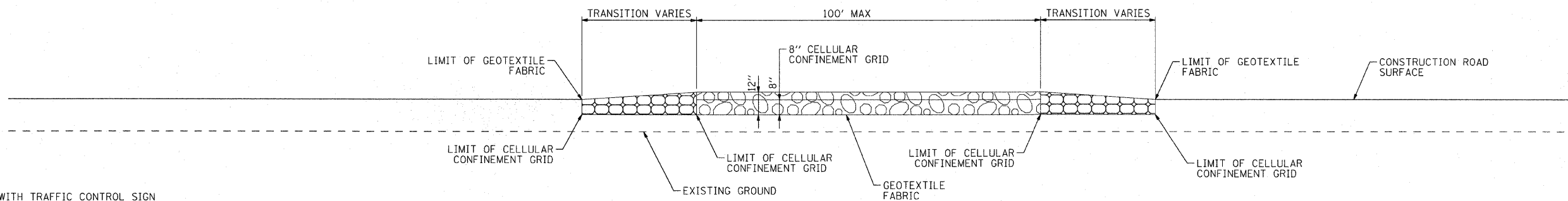
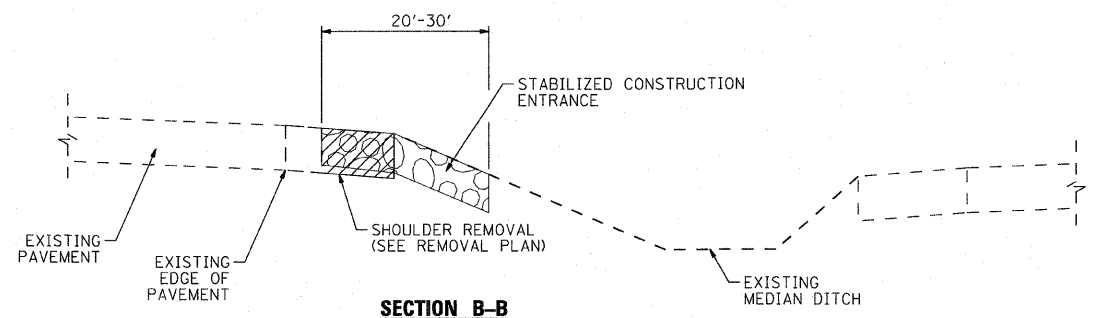


PLAN



SECTION A-A



SECTION B-B

- LEGEND**
- FLAGGER WITH TRAFFIC CONTROL SIGN
 - ← DIRECTION OF TRAFFIC
 - ⊥ SIGN ON SUPPORT (SEE HWY STD 701901)
 - DRUM W/ MONODIRECTIONAL STEADY BURN LIGHT
 - ▬ TEMPORARY CONCRETE BARRIER
 - ▨ WORK AREA
 - ▩ IMPACT ATTENUATOR

TABLE A

WORK AREA OPENING LOCATIONS

SUGGESTED SOUTH BOUND STATION	SUGGESTED NORTH BOUND STATION
STA. 1173+75	STA. 1173+75
STA. 1194+00	STA. 1194+00
STA. 1214+00	STA. 1216+00
STA. 1244+00	STA. 1244+00
STA. 1256+00	STA. 1256+00
STA. 1274+10	STA. 1274+00

COMPANY NAME: SEC GROUP, INC.
 PROJECT CONTACT: T. HAMILTON
 CLIENT: ILLINOIS DEPARTMENT OF TRANSPORTATION
 DATE PLOTTED: 3/18/2010 7:35:13 AM
 FILE NAME: PLEC-Detail-StubConstEntr.dgn
 PLOT DRIVER: pdfLBR-T11.dpf
 PLOT TABLE: s:tonder-dr-trans.tbl

SEC Group, Inc.
 300 N. First Street
 Springfield, IL 62761-2718
 P: 618.386.1775 F: 618.386.1761
 www.secgroup.com
 ©2009 SEC Group, Inc. All Rights Reserved

USER NAME = JAttana	DESIGNED - J. ATTANASEO	REVISED -
FILE NAME = PLEC-Detail-StubConstEntr.dgn	DRAWN - J. ATTANASEO	REVISED -
PLOT SCALE = N.T.S.	CHECKED -	REVISED -
PLOT DATE = 3/18/2010	DATE - 3/18/10	REVISED -

**STATE OF ILLINOIS
 DEPARTMENT OF TRANSPORTATION**

**I-294 AT I-57 INTERCHANGE PROJECT
 EROSION CONTROL PLAN - I-294**

SCALE: #SCALE# SHEET NO. 1 OF 1 SHEETS STA. TO STA.

F.A.I. RTE. 57	SECTION 1414.2B	COUNTY COOK	TOTAL SHEETS 516	SHEET NO. 190
FED. ROAD DIST. NO. ILLINOIS FED. AID PROJECT			CONTRACT NO. 60J27	