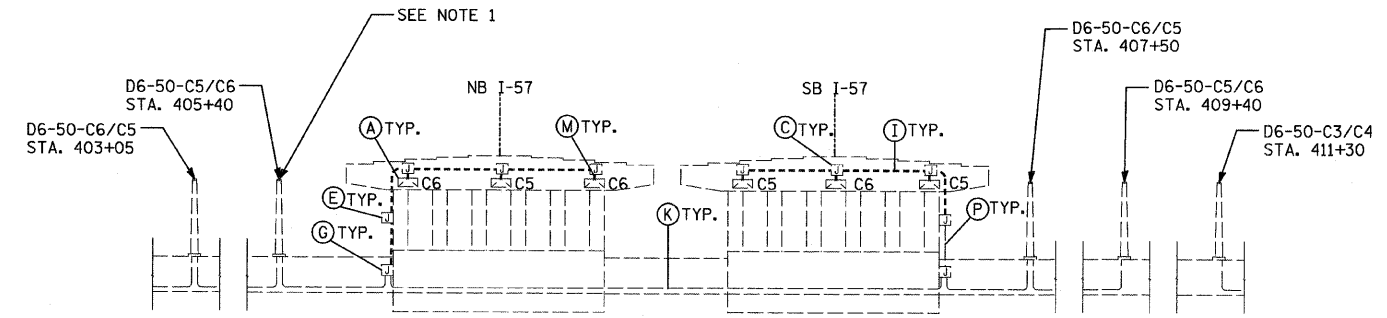
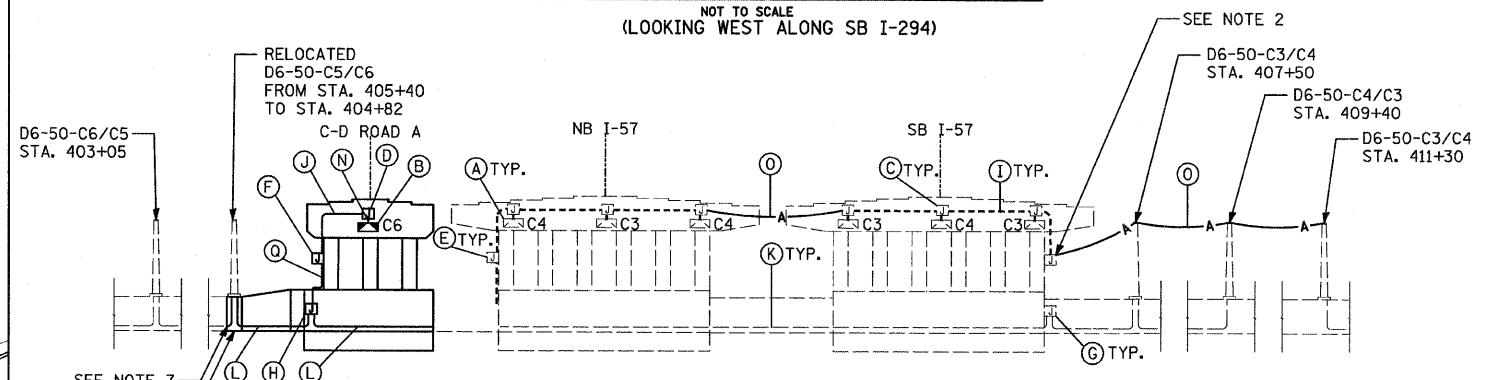


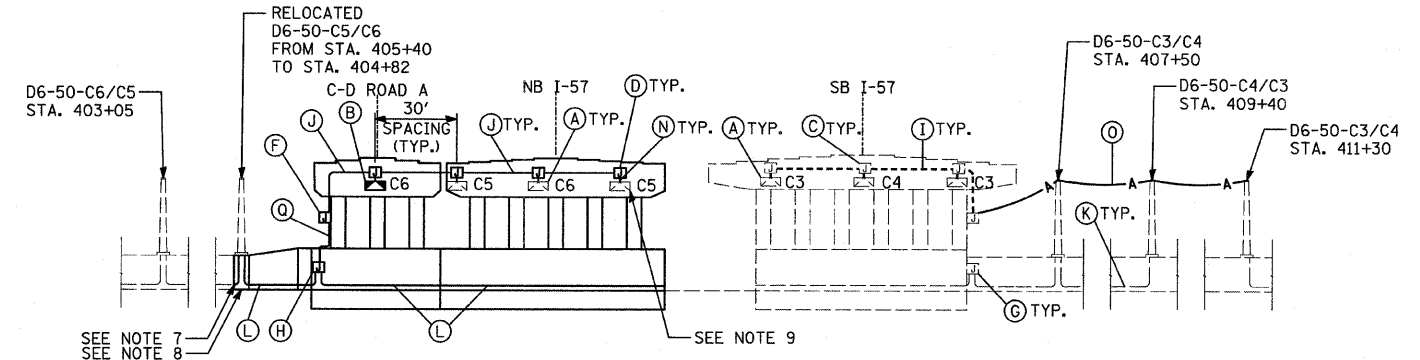
PLAN VIEW: FINAL CONFIGURATION (AFTER STAGE 3)



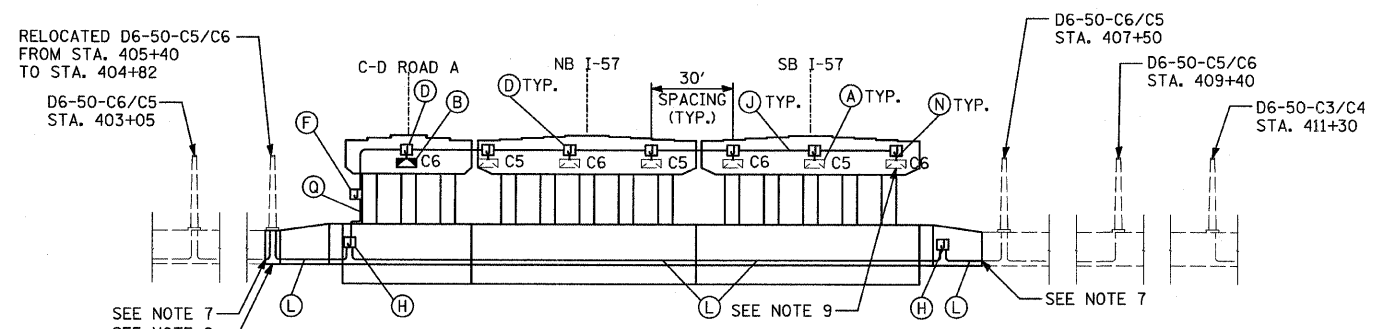
PIER ELEVATION: EXISTING CONFIGURATION
NOT TO SCALE
(LOOKING WEST ALONG SB I-294)



PIER ELEVATION: CONFIGURATION AFTER STAGE 1
NOT TO SCALE
(LOOKING WEST ALONG SB I-294)



PIER ELEVATION: CONFIGURATION AFTER STAGE 2
NOT TO SCALE
(LOOKING WEST ALONG SB I-294)



PIER ELEVATION: FINAL CONFIGURATION (AFTER STAGE 3)
NOT TO SCALE
(LOOKING WEST ALONG SB I-294)

- LEGEND**
- (A) EXISTING UNDERPASS LUMINAIRE, 150 WATT, H.P.S. VAPOR (TO BE RELOCATED)
 - (B) PROPOSED UNDERPASS LUMINAIRE, 150 WATT, H.P.S. VAPOR
 - (C) EXISTING JUNCTION BOX, SS, A.T.S., 6" X 6" X 4"
 - (D) PROPOSED JUNCTION BOX, SS, A.T.S., 6" X 6" X 4"
 - (E) EXISTING JUNCTION BOX, SS, A.T.S., 12" X 8" X 6"
 - (F) PROPOSED JUNCTION BOX, SS, A.T.S., 12" X 10" X 6"
 - (G) EXISTING JUNCTION BOX, SS, E.I.S., 20" X 12" X 8"
 - (H) PROPOSED JUNCTION BOX, SS, E.I.S., 20" X 12" X 8"
 - (I) EXISTING CONDUIT A.T.S., 1" DIA., PVC COATED GALVANIZED STEEL
 - (J) PROPOSED CONDUIT A.T.S., 1" DIA., PVC COATED GALVANIZED STEEL
 - (K) EXISTING CONDUIT E.I.S., 4" DIA., PVC
 - (L) PROPOSED CONDUIT E.I.S., 4" DIA., PVC
 - (M) EXISTING FLEXIBLE LIQUID TIGHT STAINLESS STEEL CONDUIT, 1" DIAMETER, 6 FOOT LENGTH
 - (N) PROPOSED FLEXIBLE LIQUID TIGHT STAINLESS STEEL CONDUIT, 1" DIAMETER, 6 FOOT LENGTH (INCLUDED IN THE COST OF THE PROPOSED UNDERPASS LUMINAIRE AND REMOVE AND REINSTALL EXISTING LIGHTING UNIT)
 - (O) PROPOSED AERIAL CABLE, 4-1/C NO. 2 WITH MESSINGER WIRE
 - (P) EXISTING CONDUIT A.T.S., 2" DIA., PVC COATED GALVANIZED STEEL
 - (Q) PROPOSED CONDUIT A.T.S., 2" DIA., PVC COATED GALVANIZED STEEL

- NOTES:**
1. EXISTING TOLLWAY LIGHT POLE AT STA. 405+40 SHALL BE REMOVED AND RELOCATED AND SHALL BE PAID AT THE CONTRACT UNIT PRICE PER EACH FOR "RELOCATE EXISTING LIGHTING UNIT".
 2. TEMPORARY ELECTRICAL CONNECTIONS AND ALL ELECTRICAL APPURTENANCES REQUIRED DURING STAGED CONSTRUCTION SHALL BE INCLUDED IN THE COST OF "MAINTENANCE OF LIGHTING SYSTEM" FOR THE CONTRACT UNIT PRICE LUMP SUM.
 3. ELECTRICAL CABLE FOR THE PROPOSED 4" PVC CONDUIT SHALL BE PAID FOR AS UNIT DUCT, 600V, 4-1C NO.2, 1/C NO.8 GROUND (XLP - TYPE USE), 2" DIA., POLYETHYLENE.
 4. ELECTRICAL CABLE TO THE UNDERPASS LUMINAIRES SHALL BE PAID FOR AS ELECTRICAL CABLE IN CONDUIT, 600V (XLP - TYPE) 1/C NO. 10. AND SHALL BE FUSED AT THE SPLICE POINT WITH THE PROPOSED UNIT DUCT.
 5. THE TOLLWAY LIGHTING CONTROLLER FOR CIRCUITS C5 AND C6 IS LOCATED AT I-294 STA. 387+92 ALONG SB I-294.
 6. THE TOLLWAY LIGHTING CONTROLLER FOR CIRCUITS C3 AND C4 IS LOCATED AT I-294 STA. 443+98 ALONG NB I-294.
 7. RECONNECTION OF THE CONDUIT AND CABLING TO THE EXISTING SYSTEM SHALL BE INCLUDED IN THE COST OF "MAINTAIN EXISTING LIGHTING SYSTEM".
 8. SEE SHEET E-15 FOR LIGHT POLE FOUNDATION DETAILS. LIGHT POLE FOUNDATION SHALL BE PAID AT THE CONTRACT UNIT PRICE PER EACH FOR "LIGHT POLE FOUNDATION (ROADWAY) MEDIAN, TYPE 1".
 9. RELOCATION OF EXISTING UNDERPASS LUMINAIRES SHALL BE PAID AT THE CONTRACT UNIT PRICE PER EACH FOR "REMOVE AND REINSTALL EXISTING LIGHTING UNIT". FOR MOUNTING DETAILS SEE SPECIAL PROVISIONS.
 10. LOCATION OF LUMINAIRES AND OTHER APPURTENANCES ALONG NB I-294 IS THE SAME AS DEPICTED ALONG SB I-294.
 11. INSTALLATION OF NEW UNDERPASS LIGHTING UNITS SHALL BE DONE IN ACCORDANCE WITH THE SPECIAL PROVISIONS AND TOLLWAY SUPPLEMENTAL SPECIFICATIONS.

SHEET E9

TYLIN INTERNATIONAL	USER NAME =	DESIGNED - JDF	REVISED - 4/29/2010	STATE OF ILLINOIS DEPARTMENT OF TRANSPORTATION	I-57 AT I-294 INTERCHANGE PROJECT PROPOSED LIGHTING PLANS - I-294	F.A.I. RT#	SECTION	COUNTY	TOTAL SHEETS	SHEET NO.
	PLOT SCALE =	DRAWN - JDF	REVISED -			57	1414.2B	COOK	516	209
	PLOT DATE =	CHECKED - DAJ	REVISED -			CONTRACT NO. 60J27				
DATE - 3/18/2010				SCALE: 1" = 50'	SHEET NO. 4 OF 4 SHEETS	STA. 402+75 TO STA. 411+75	FED. ROAD DIST. NO. [ILLINOIS] FED. AID PROJECT			