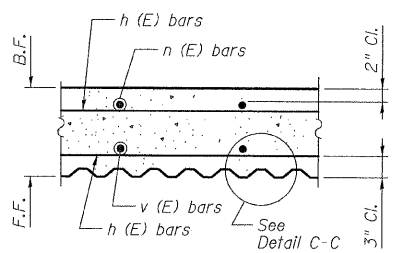
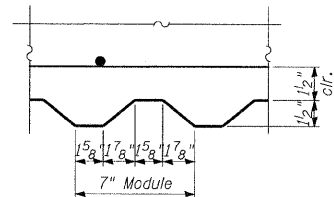


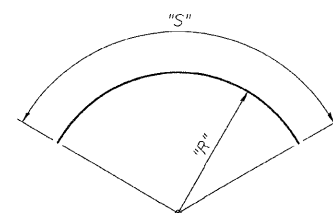
SECTION A-A



SECTION B-B

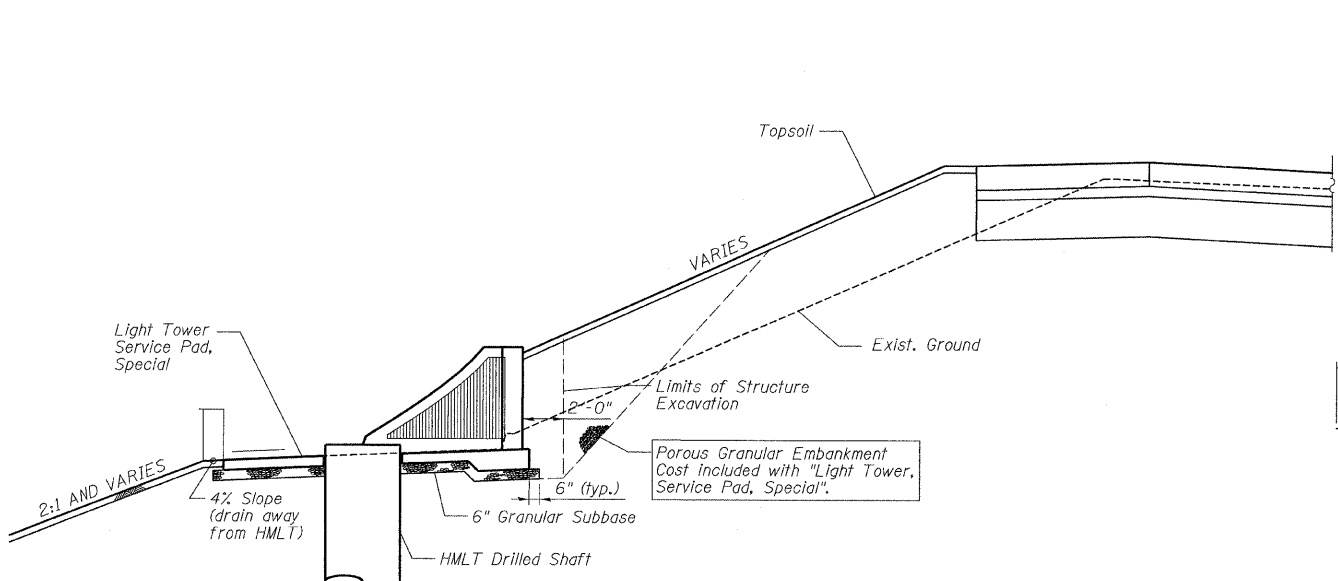


DETAIL C-C

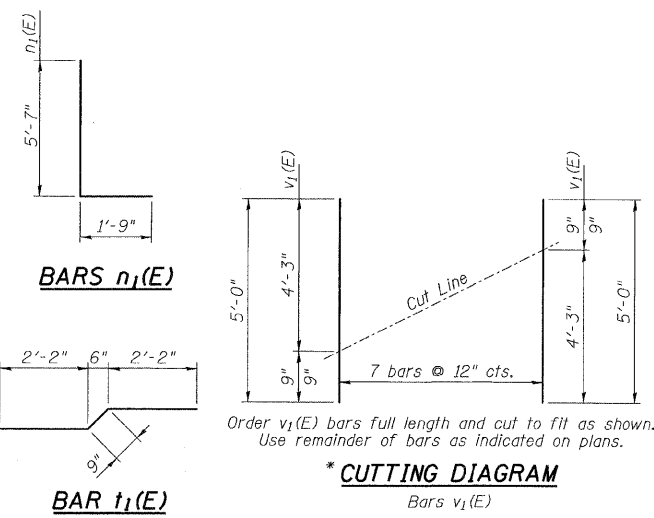


| Bar | "R" | "S" |
|--------|-----------|---------|
| h1(E) | 7'-7" | 23'-6" |
| h2(E) | 7'-7" | 20'-10" |
| h3(E) | 7'-7" | 17'-8" |
| h4(E) | 7'-7" | 14'-6" |
| h5(E) | 7'-7" | 11'-4" |
| h6(E) | 7'-7" | 8'-2" |
| h7(E) | 7'-1 1/2" | 22'-1" |
| h8(E) | 7'-1 1/2" | 19'-7" |
| h9(E) | 7'-1 1/2" | 16'-7" |
| h10(E) | 7'-1 1/2" | 13'-7" |
| h11(E) | 7'-1 1/2" | 10'-8" |
| h12(E) | 7'-1 1/2" | 7'-8" |
| w1(E) | 7'-7" | 24'-4" |
| w2(E) | 6'-8" | 21'-7" |
| w3(E) | 5'-10" | 18'-10" |
| w4(E) | 4'-9" | 15'-5" |
| w5(E) | 3'-6" | 11'-6" |

BARS w1(E) thru w5(E) & h1(E) thru h12(E)



SECTION THRU EMBANKMENT
(At Typ. Tower Location)
HMLT not shown for clarity



* CUTTING DIAGRAM
Bars v1(E)

BILL OF MATERIAL

Light Tower Service Pad, Special with 5'-0" Wall

| Bar | No. | Size | Length | Shape |
|--------|-----|------|---------|-------|
| h1(E) | 1 | #5 | 23'-6" | ⤴ |
| h2(E) | 1 | #5 | 20'-10" | ⤴ |
| h3(E) | 1 | #5 | 17'-8" | ⤴ |
| h4(E) | 1 | #5 | 14'-6" | ⤴ |
| h5(E) | 1 | #5 | 11'-4" | ⤴ |
| h6(E) | 1 | #5 | 8'-2" | ⤴ |
| h7(E) | 1 | #4 | 22'-1" | ⤴ |
| h8(E) | 1 | #4 | 19'-7" | ⤴ |
| h9(E) | 1 | #4 | 16'-7" | ⤴ |
| h10(E) | 1 | #4 | 13'-7" | ⤴ |
| h11(E) | 1 | #4 | 10'-8" | ⤴ |
| h12(E) | 1 | #4 | 7'-8" | ⤴ |
| n1(E) | 25 | #6 | 7'-4" | ⤴ |
| t1(E) | 25 | #6 | 5'-1" | ⤴ |
| v1(E) | 7 | #4 | 5'-0" | ⤴ |
| v2(E) | 8 | #4 | 4'-8" | ⤴ |
| w1(E) | 1 | #5 | 24'-4" | ⤴ |
| w2(E) | 1 | #5 | 21'-7" | ⤴ |
| w3(E) | 1 | #5 | 18'-10" | ⤴ |
| w4(E) | 1 | #5 | 15'-5" | ⤴ |
| w5(E) | 1 | #5 | 11'-6" | ⤴ |

NOTES

1. F.F. and B.F. denote Front Face and Back Face, respectively.
2. HMLT denotes High Mast Light Tower.
3. See IDOT Standard Drawing BE501 for additional High Mast Light Tower Foundation and ground well details.
4. Reinforcement Bars designated (E) shall be epoxy coated.
5. Refer to High Mast Light Tower Service Pad, Special & Retaining Wall Details 1 for location and orientation of conduit sleeves and grounding wells.
6. Contractor shall maintain integrity of adjacent pavement as may be required in excavating for HMLT service pad walls.
7. Provide Protective Coat to top, front face, exposed portion of back face, and ends of walls, and top and edges of pad.

TOTAL BILL OF MATERIAL

| Item | Unit | Total |
|-----------------------------------|------|-------|
| Light Tower, Service Pad, Special | Each | 8 |
| | | |
| | | |

BILL OF MATERIAL

| Item | Unit | 5' Total |
|---------------------------------------|---------|----------|
| Welded Wire Fabric | Sq. Yd. | 18 |
| Structure Excavation | Cu. Yd. | 11 |
| Concrete Structures | Cu. Yd. | 7.2 |
| Reinforcement Bars, Epoxy Coated | Pound | 775 |
| Rustication Finish | Sq. Ft. | 55 |
| Protective Coat | Sq. Yd. | 29 |
| Sub-Base Granular Material, Type B 6" | Sq. Yd. | 22 |

NEW SHEET SHEET E21