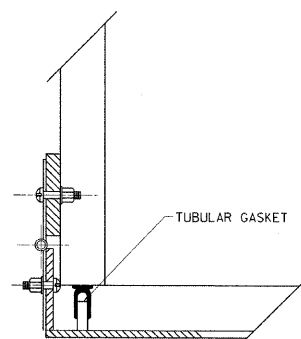
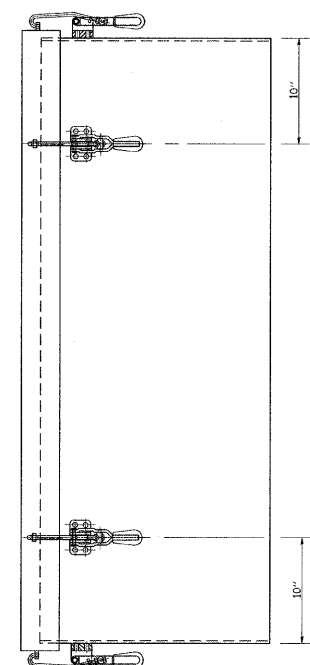


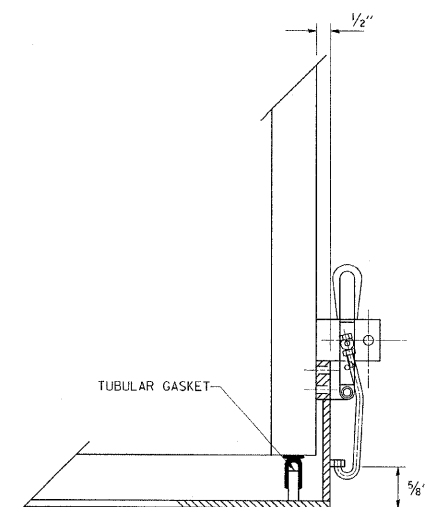
TOP VIEW



HINGE DETAIL

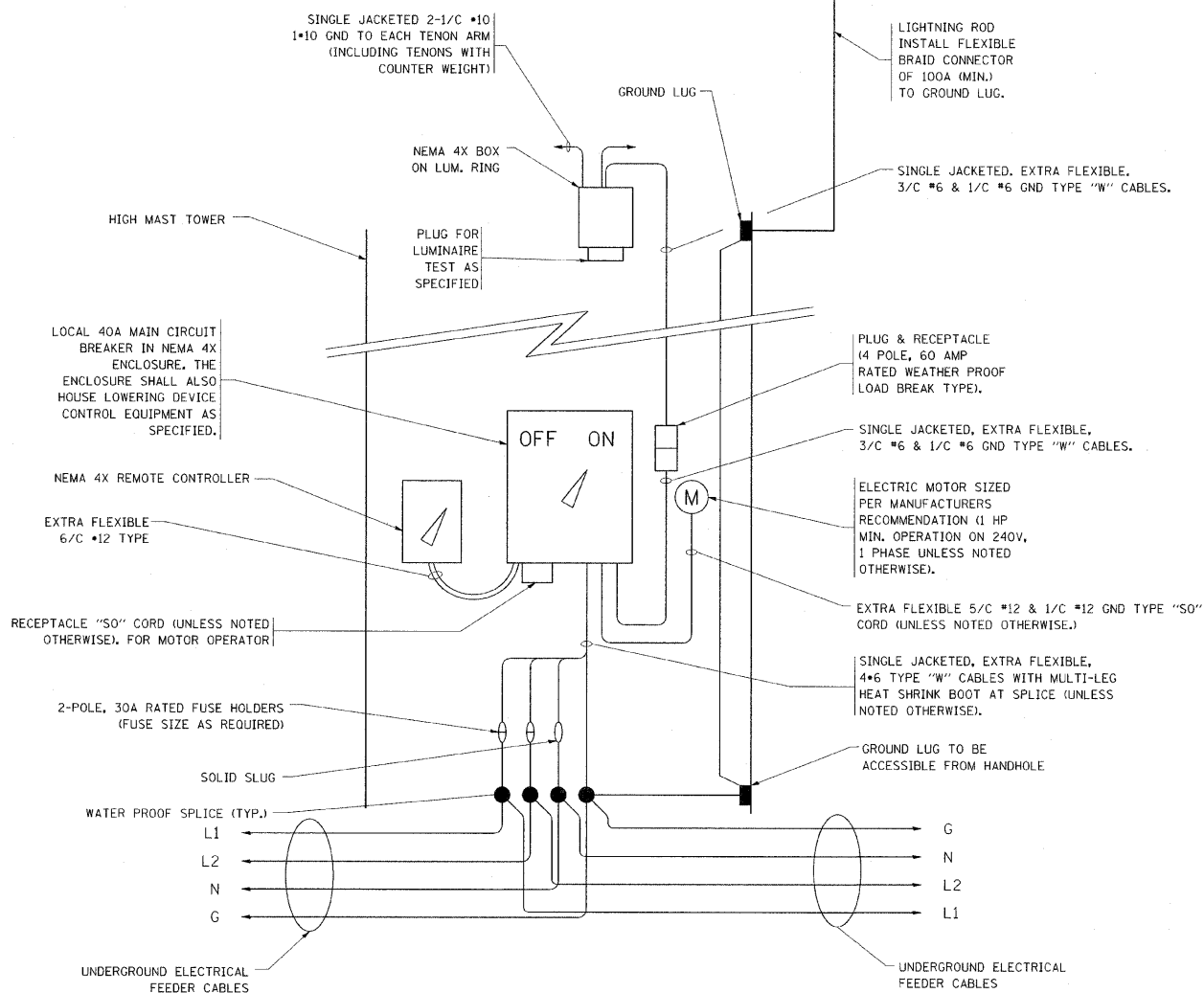


SIDE VIEW

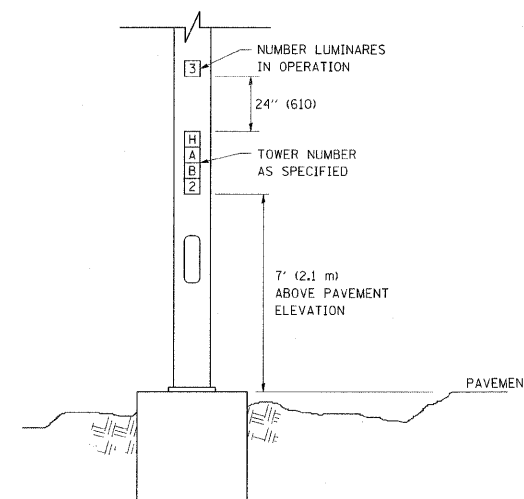


LATCH DETAIL

HANDHOLE DOOR DETAILS



HIGH MAST POLE WIRING DIAGRAM



LIGHT TOWER NUMBERING DETAIL

FILE NAME =	USER NAME = drsvakosgn	DESIGNED -	REVISED - R. TOMSONS 08-04-03
o:\p\work\p\WDDT\DRIVAKOSGN\0106315\500.dgn		DRAWN -	REVISED - R. TOMSONS 05-11-09
	PLOT SCALE = 50.0000 / IN.	CHECKED -	REVISED -
	PLOT DATE = 5/11/2009	DATE -	REVISED -

STATE OF ILLINOIS
DEPARTMENT OF TRANSPORTATION

HIGH MAST LIGHT TOWER			
90 FT TO 120 FT (27 m TO 36 m)			
SCALE: NONE	SHEET NO. 3 OF 3 SHEETS	STA.	TO STA.

F.A. RTE.	SECTION	COUNTY	TOTAL SHEETS	SHEET NO.
57	1414.2B	Cook	516	210D
BE-500			CONTRACT NO. 60727	
FED. ROAD DIST. NO. 1 ILLINOIS FED. AID PROJECT				