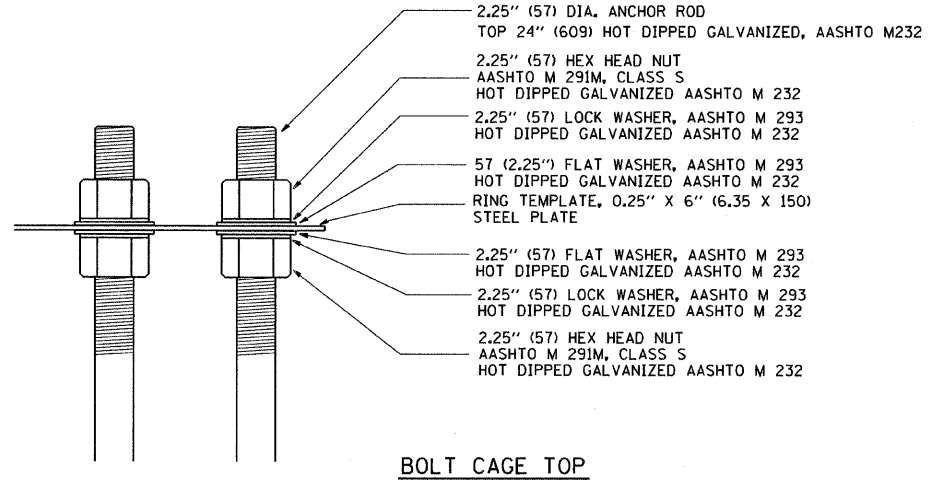
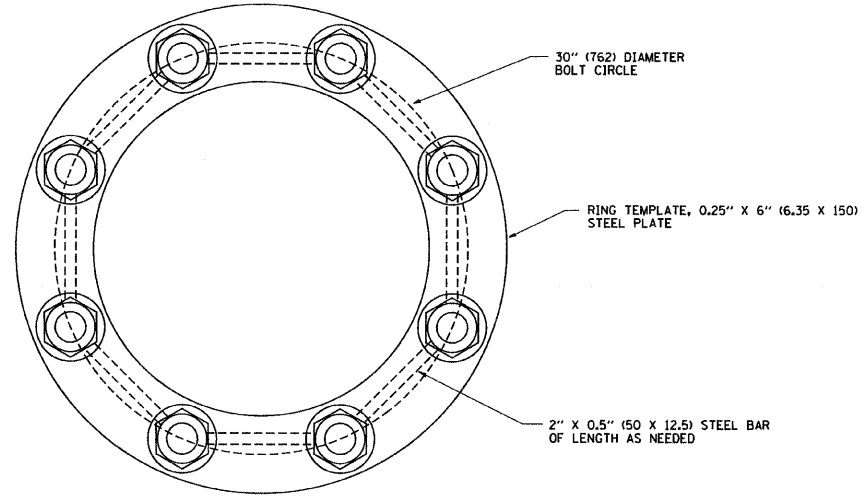


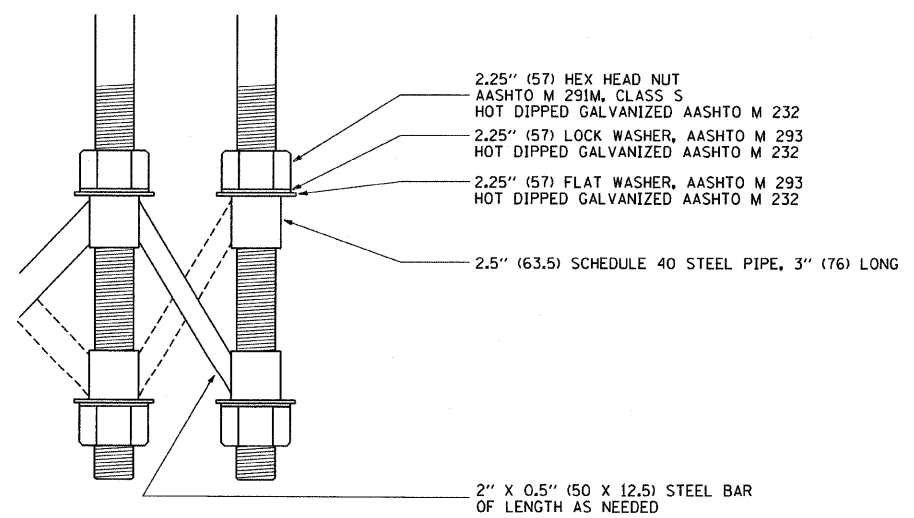
ANCHOR BOLT CAGE



BOLT CAGE TOP



SECTION A-A



BOLT CAGE BOTTOM

NOTES

1. ALL DIMENSIONS IN INCHES (MILLIMETERS) UNLESS OTHERWISE SHOWN
2. ANCHOR RODS SHALL BE STRAIGHT AND SHALL BE ACCORDING TO AASHTO M 314 OR ASTM F1554, GRADE 725 (GRADE 105) AND GALVANIZED ACCORDING TO ARTICLE 1006.09.
3. ANCHOR ROD INFORMATION SHALL BE SUBMITTED FOR APPROVAL AND SHALL BE FULLY COORDINATED WITH TOWER MANUFACTURERS REQUIREMENTS.

FILE NAME = W:\dststd\22x34\be581.dgn	USER NAME = geglianobt	DESIGNED -	REVISED - R. TOMSONS 04-22-02
		DRAWN -	REVISED -
	PLOT SCALE = 50.000 ' / IN.	CHECKED -	REVISED -
	PLOT DATE = 1/4/2008	DATE -	REVISED -

**STATE OF ILLINOIS
DEPARTMENT OF TRANSPORTATION**

HIGH MAST LIGHT TOWER			
90 FT TO 120 FT (27 m TO 36 m) FOUNDATION DETAIL			
SCALE: NONE	SHEET NO. 2 OF 2 SHEETS	STA.	TO STA.

F.A. RTE. = 57	SECTION = 1414.28	COUNTY = Cook	TOTAL SHEETS = 516	SHEET NO. = 210F
BE-501		CONTRACT NO. 60327		
FED. ROAD DIST. NO. 1 ILLINOIS FED. AID PROJECT				