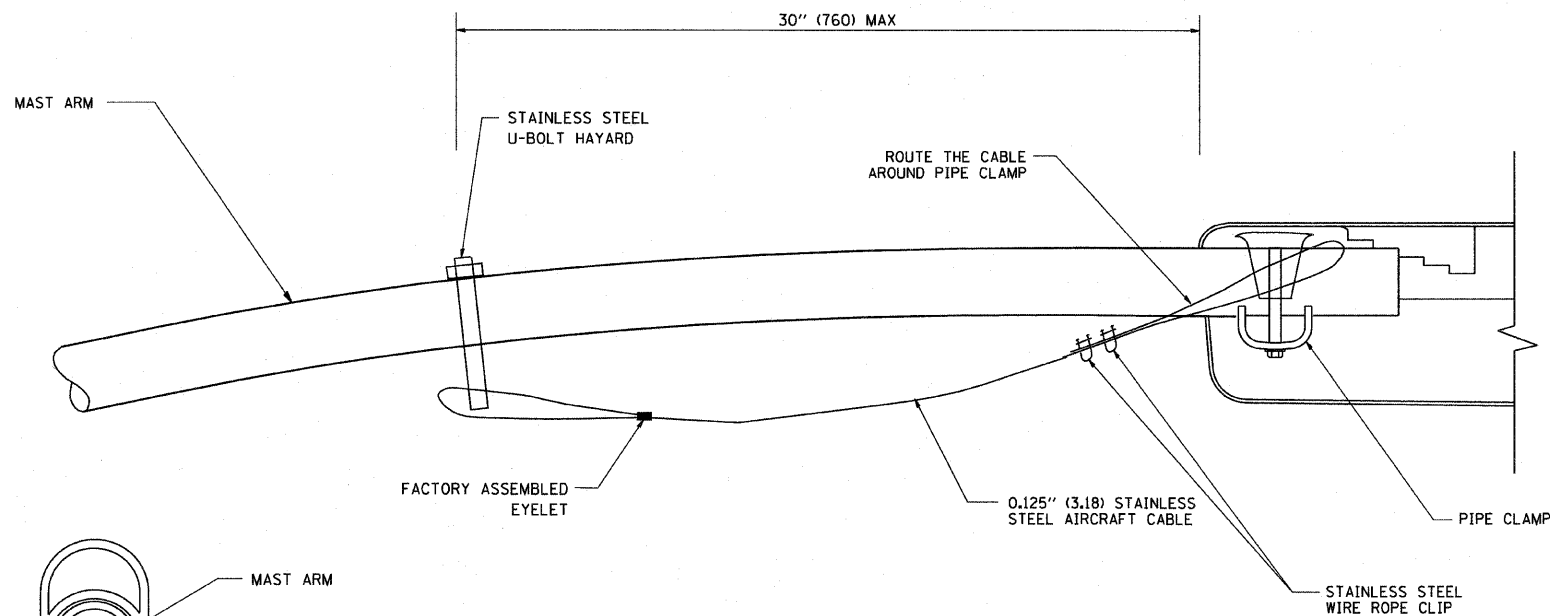
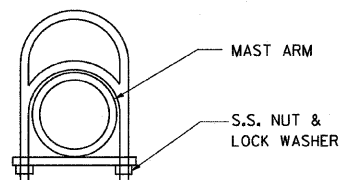


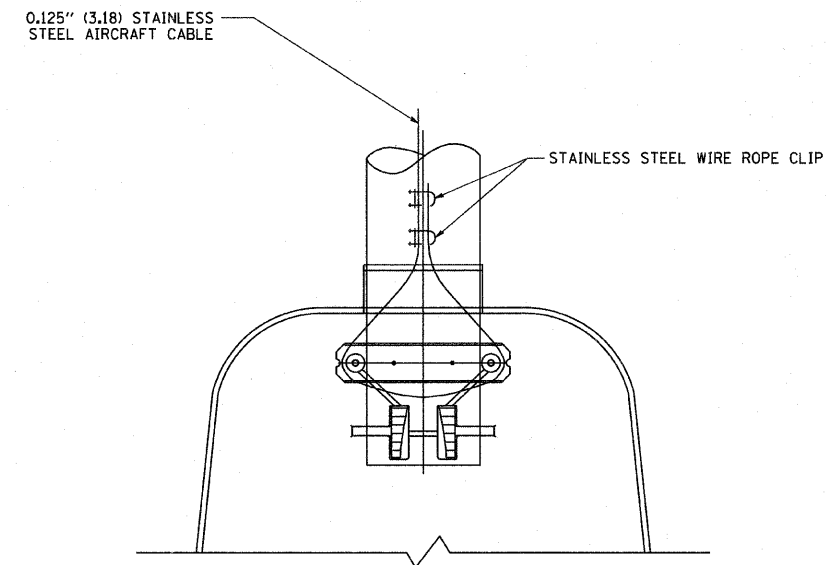
**SIDE VIEW (TRUSS ARM)**  
N.T.S.



**SIDE VIEW (SINGLE MEMBER OR DAVIT ARM)**  
N.T.S.



STAINLESS STEEL  
U-BOLT HAYARD



**BOTTOM VIEW**  
N.T.S.

**NOTES:**

1. ALL DIMENSIONS ARE IN MILLIMETERS (INCHES) UNLESS OTHERWISE SHOWN.
2. CONTRACTOR SHALL ADJUST THE WIRE CLIP TO ELIMINATE ANY SLACK FROM THE WIRE ROPE.
3. THE 0.125" (3.18) STAINLESS STEEL AIRCRAFT CABLE SHALL REMAIN VISIBLE FROM THE GROUND LEVEL.
4. THE BREAKING STRENGTH OF THE CABLE SHALL BE 1700 LBS. MIN.

SHEET E11

FILE NAME = W:\diststd\22x34\be701.dgn	USER NAME = geglianobt	DESIGNED -	REVISED - 08-08-03	<b>STATE OF ILLINOIS DEPARTMENT OF TRANSPORTATION</b>	<b>LUMINAIRE SAFETY CABLE ASSEMBLY</b>			F.A. RTE.	SECTION	COUNTY	TOTAL SHEETS	SHEET NO.
	PLOT SCALE = 50.000' / IN.	DRAWN -	REVISED -		57	1414.20	COOK	516	211			
	PLOT DATE = 1/4/2008	CHECKED -	REVISED -		<b>BE-701</b>			CONTRACT NO. 6027				
		DATE -	REVISED -		SCALE: NONE	SHEET NO. 1 OF 1 SHEETS	STA.	TO STA.	FED. ROAD DIST. NO. 1   ILLINOIS FED. AID PROJECT			