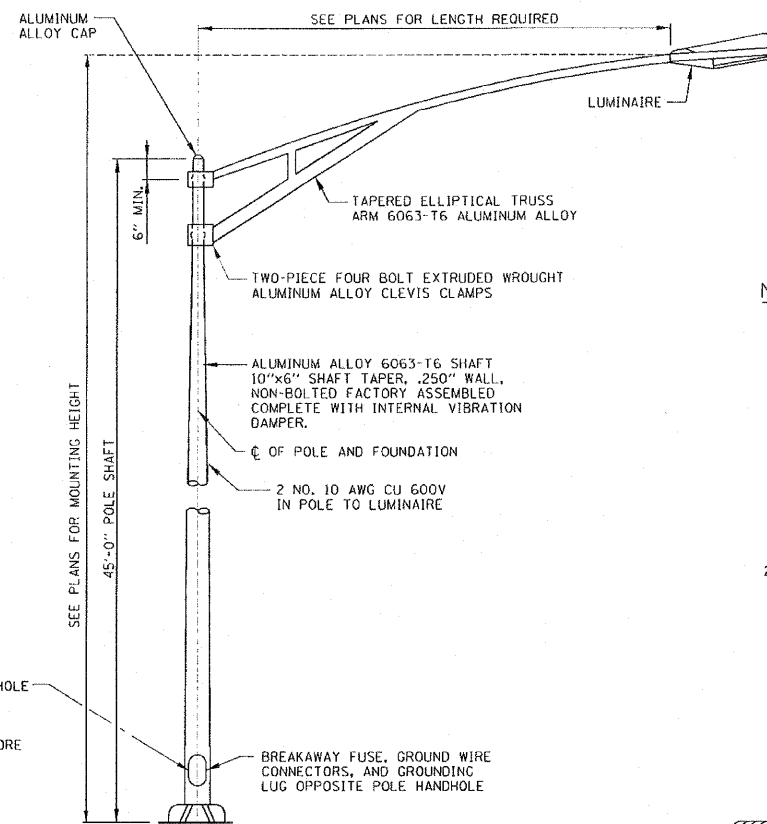
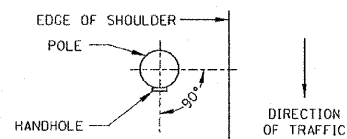


TWIN MAST LIGHT STANDARD DETAIL
NO SCALE



SINGLE MAST LIGHT STANDARD DETAIL
NO SCALE

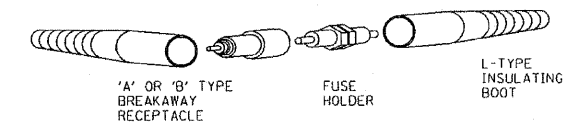


HANDHOLE ORIENTATION

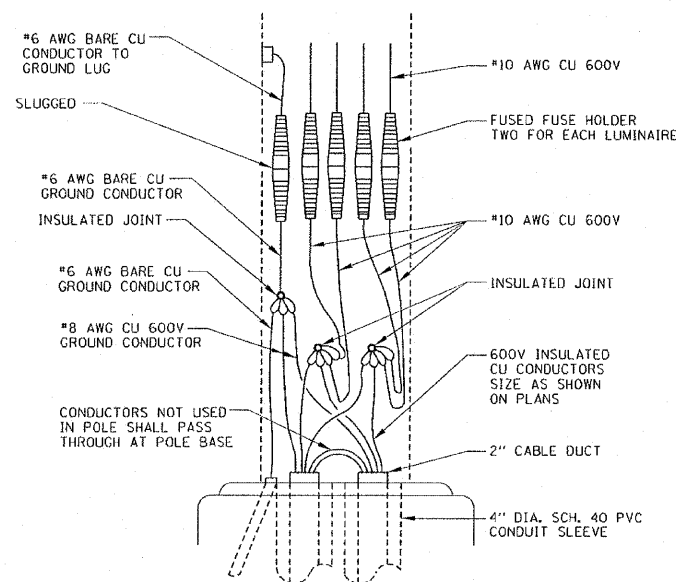
NOTES:

- ALL LIGHT STANDARDS, BOTH NEW AND EXISTING, ARE SHOWN ON PLANS WITH THE FOLLOWING SAMPLE DESCRIPTION:

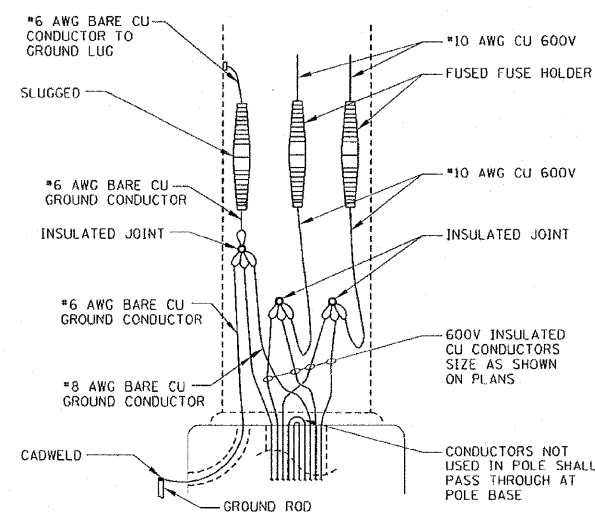
MOUNTING HEIGHT	CIRCUIT NUMBER
ARM LENGTH	STATION OF LIGHT STANDARD
SPACING RANGE	STA. 0 + 20
	DISTRIBUTION TYPE
	CONTROL: S=SEMI-CUTOFF C=FULL CUTOFF
- FOR STRUCTURAL DETAILS OF MEDIAN BARRIER AND CAISSON, SEE STANDARD H8 (MEDIAN BARRIER LIGHT POLE FOUNDATION DETAILS), STANDARD H9 (MEDIAN BARRIER LIGHT POLE FOUNDATION DETAILS - TYPE 4 RETROFIT, 32" BARRIER) OR STRUCTURAL PLANS.



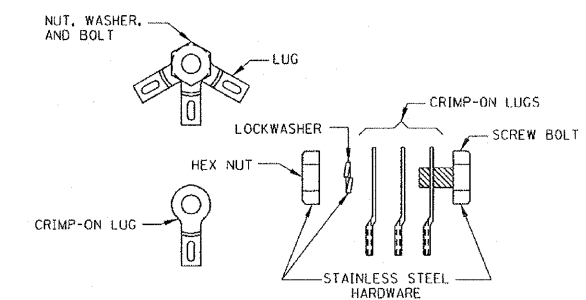
IN-THE-LINE FUSE HOLDER DETAIL WITH BREAKAWAY FEATURE
NO SCALE



TWIN MAST POLE BASE WIRING DIAGRAM
NO SCALE



SINGLE MAST POLE BASE WIRING DIAGRAM
NO SCALE



JOINT ASSEMBLY DETAILS
NO SCALE

SHEET E14



APPROVED *Jeff Daley* CHIEF ENGINEER DATE 1-1-2007

DATE	REVISIONS

LIGHT STANDARD POLE WIRING
STANDARD H2-00