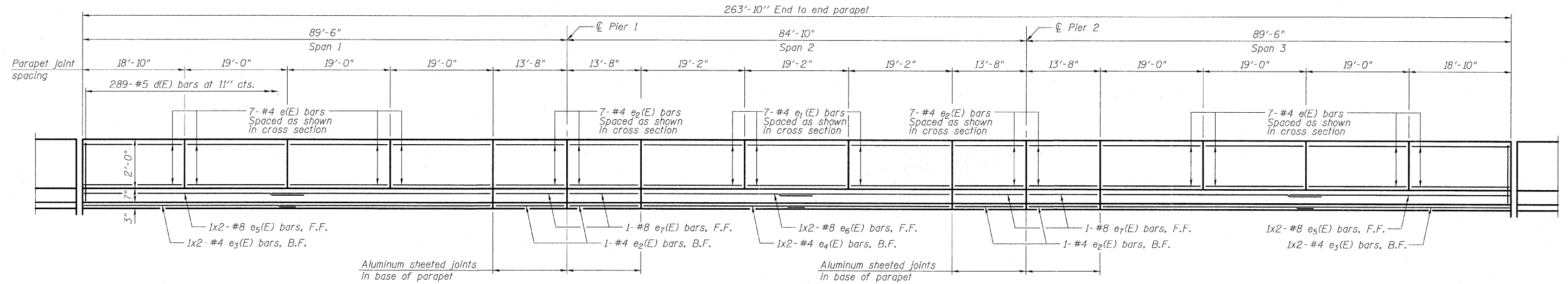
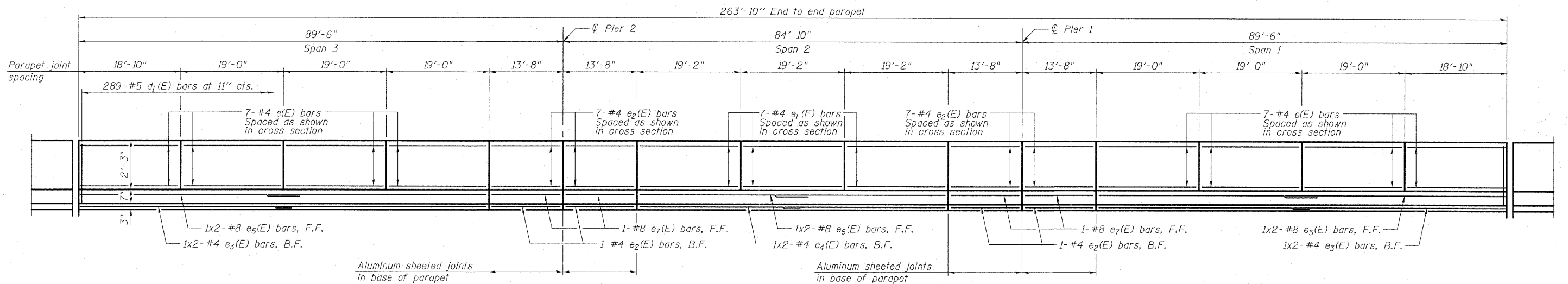


STATE OF ILLINOIS  
DEPARTMENT OF TRANSPORTATION



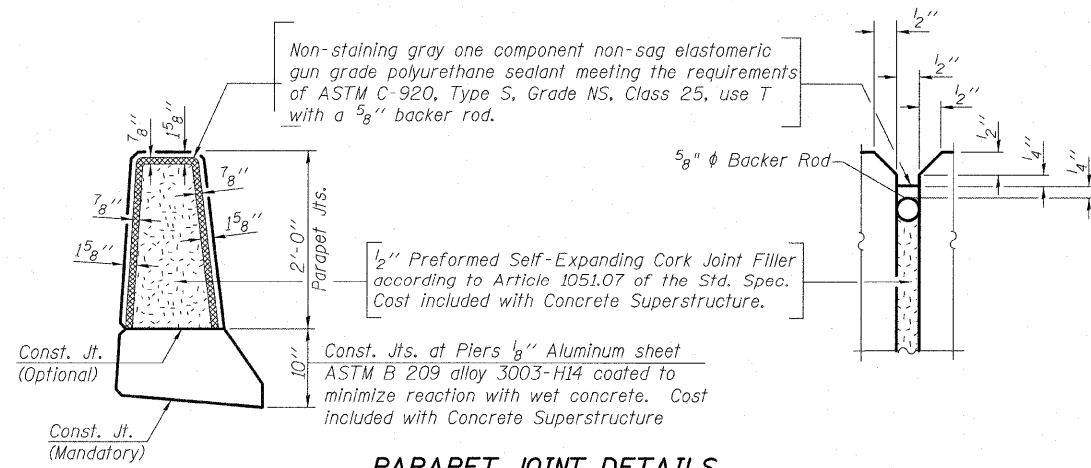
**INSIDE ELEVATION OF PARAPET**

(Outside parapet S.B. I-57 & Inside parapet of C-D Road A shown. Outside parapet of CD Road A opposite hand. Applies to the north parapet of N.B. and S.B. I-57 and each parapet on C-D Road A.)



**INSIDE ELEVATION OF PARAPET**

(Applies to south parapet of N.B. & S.B. I-57 as indicated on Sheets 18 & 19 of 68.)



**PARAPET JOINT DETAILS**

**MINIMUM BAR LAP**

(Parapet)  
#4 bar = 2'-0"  
#8 bar = 5'-2"

**NOTE**

For parapet with embedded conduit, provide expansion/deflection couplings at each deck expansion joint location.

**PARAPET ELEVATIONS  
STRUCTURE NO. 016-1251**

<b>TYLIN INTERNATIONAL</b>	DESIGNED - PK	REVISIONS		SHEET NO. 21	F.A.I RTE.	SECTION	COUNTY	TOTAL SHEETS	SHEET NO.										
	CHECKED - SP,	NAME	DATE							57	1414.2B	COOK	516	266					
	DRAWN - PK														68 SHEETS	CONTRACT NO. 60J27			
	CHECKED - SP,PDF																FED. ROAD DIST. NO. 1	ILLINOIS	FED. AID PROJECT
	DATE - 03/18/10																		

P:\60254057-290\STRUCTURAL\1-57\_OVER\_1294\0161251-60J27-021-PARAPET1.dgn 3/17/2010 6:57:18 PM