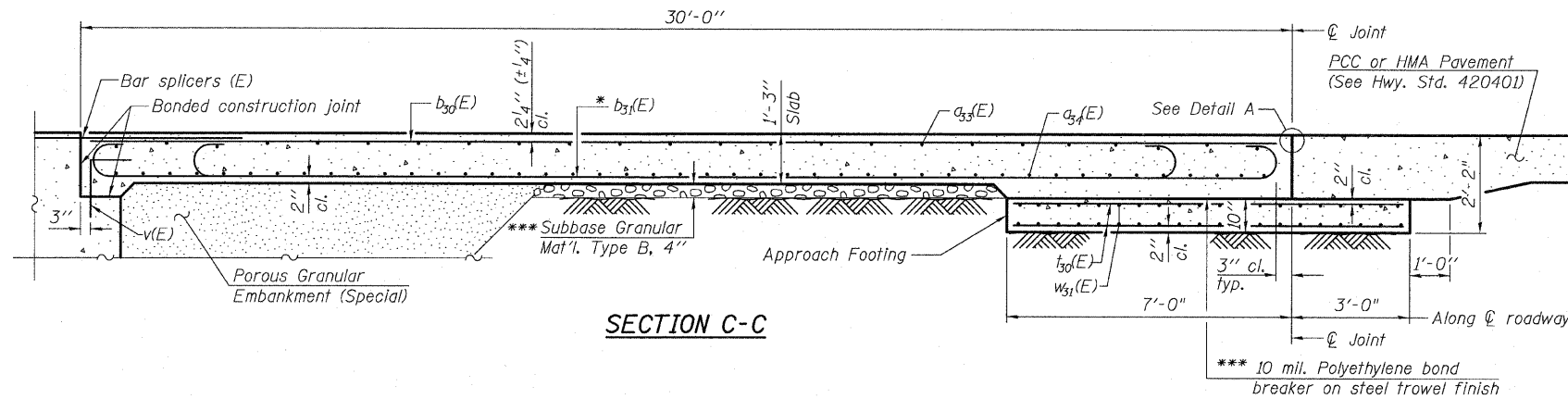


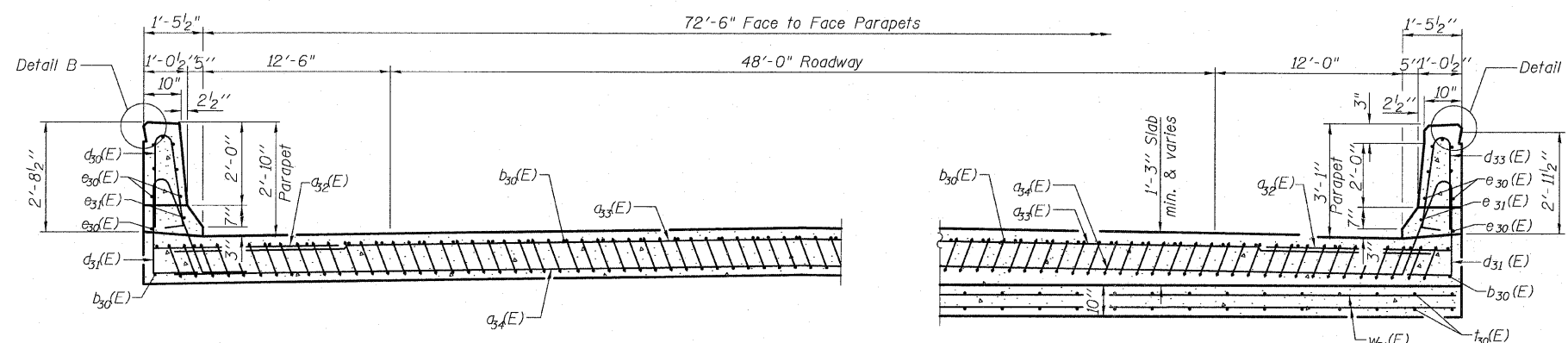
STATE OF ILLINOIS
DEPARTMENT OF TRANSPORTATION



SECTION C-C

Notes:
See sheet 25 of 68 for Detail A.
Approach slab and parapet concrete shall be paid for as Concrete Superstructure.
Approach footing concrete shall be paid for as Concrete Structures.
Reinforcement shall be paid for as Reinforcement Bars, Epoxy Coated.
For v(E) bar details, see sheet 43 of 68.
The approach footing maximum applied service bearing pressure (Qmax) = 2.0 ksf.
For bar splicer details, see sheet 56 of 68.
Cost of excavation for approach footing included with Concrete Structures.
For Porous Granular Embankment (Special) and drainage treatment details, see sheet 2 of 68.

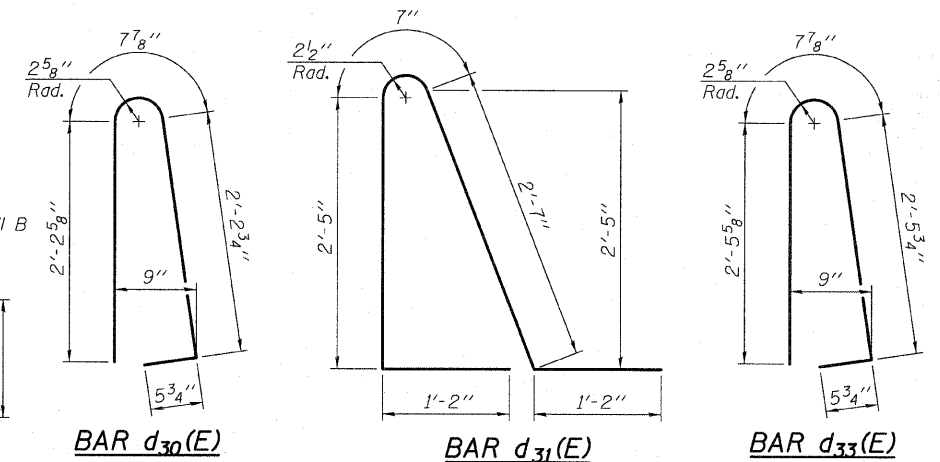
The quantity for Bridge Deck Grooving & Protective Coat for approach slab is included with the quantities on sheet 2 of 68.



NEAR ABUTMENT

SECTION D-D

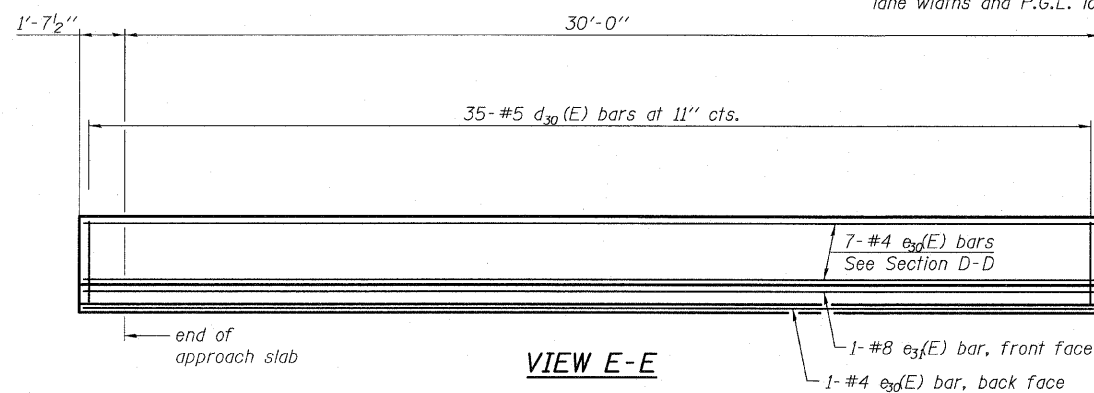
AT APPROACH FOOTING



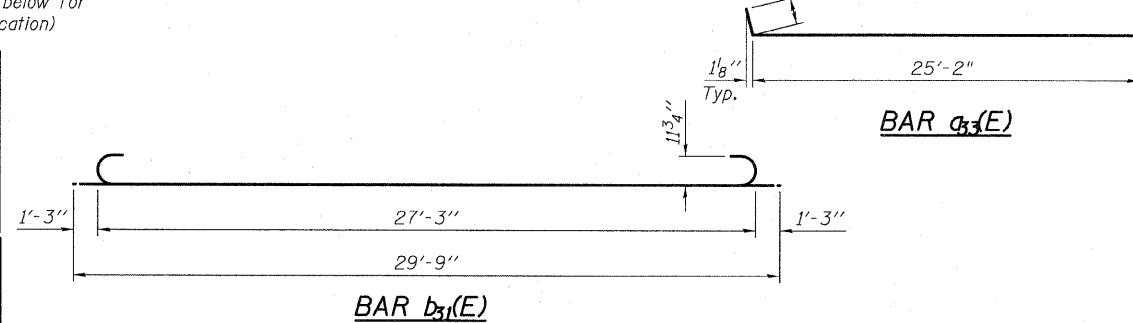
* Tilt #9 b31(E) bars as required to maintain clearance.

*** Cost included with Concrete Superstructure.

(See Plan for dimensions not shown)
(See Cross Slope Sketch below for lane widths and P.G.L. location)

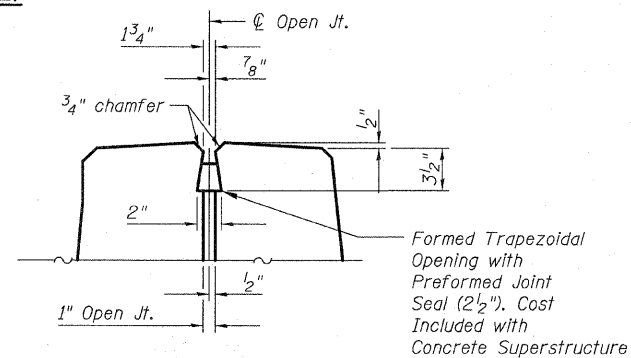


VIEW E-E



BAR a33(E)

BAR b31(E)



DETAIL B

BILL OF MATERIAL

Bar	No.	Size	Length	Shape	
a32(E)	50	#6	6'-6"	—	
a33(E)	75	#4	29'-1"	—	
a34(E)	92	#5	42'-4"	—	
b30(E)	63	#4	29'-8"	—	
b31(E)	182	#9	29'-9"	—	
d30(E)	35	#5	5'-7"	—	
d31(E)	70	#5	7'-11"	—	
d33(E)	35	#5	6'-1"	—	
e30(E)	16	#4	31'-3"	—	
e31(E)	2	#8	31'-3"	—	
t30(E)	152	#4	9'-8"	—	
w31(E)	120	#5	29'-4"	—	
Concrete Superstructure				Cu. Yd.	113.1
Concrete Structures				Cu. Yd.	25.3
(1.) Reinforcement Bars, Epoxy Coated				Pound	31,830

(1.) 4,660 pounds billed in Substructure
Total in Total Bill of Material on Sheet 2

WEST APPROACH SLAB NB I-57 - 2
STRUCTURE NO. 016-1251

TYLIN INTERNATIONAL

DESIGNED -	JMA	REVISIONS	
CHECKED -	SP.	NAME	DATE
DRAWN -	JMA		
CHECKED -	SP,PDF		
DATE -	03/18/10		

SHEET NO. 26
68 SHEETS

F.A.I. RTE.	SECTION	COUNTY	TOTAL SHEETS	SHEET NO.
57	1414.2B	COOK	516	271
CONTRACT NO. 60J27				
FED. ROAD DIST. NO. 1 ILLINOIS FED. AID PROJECT				