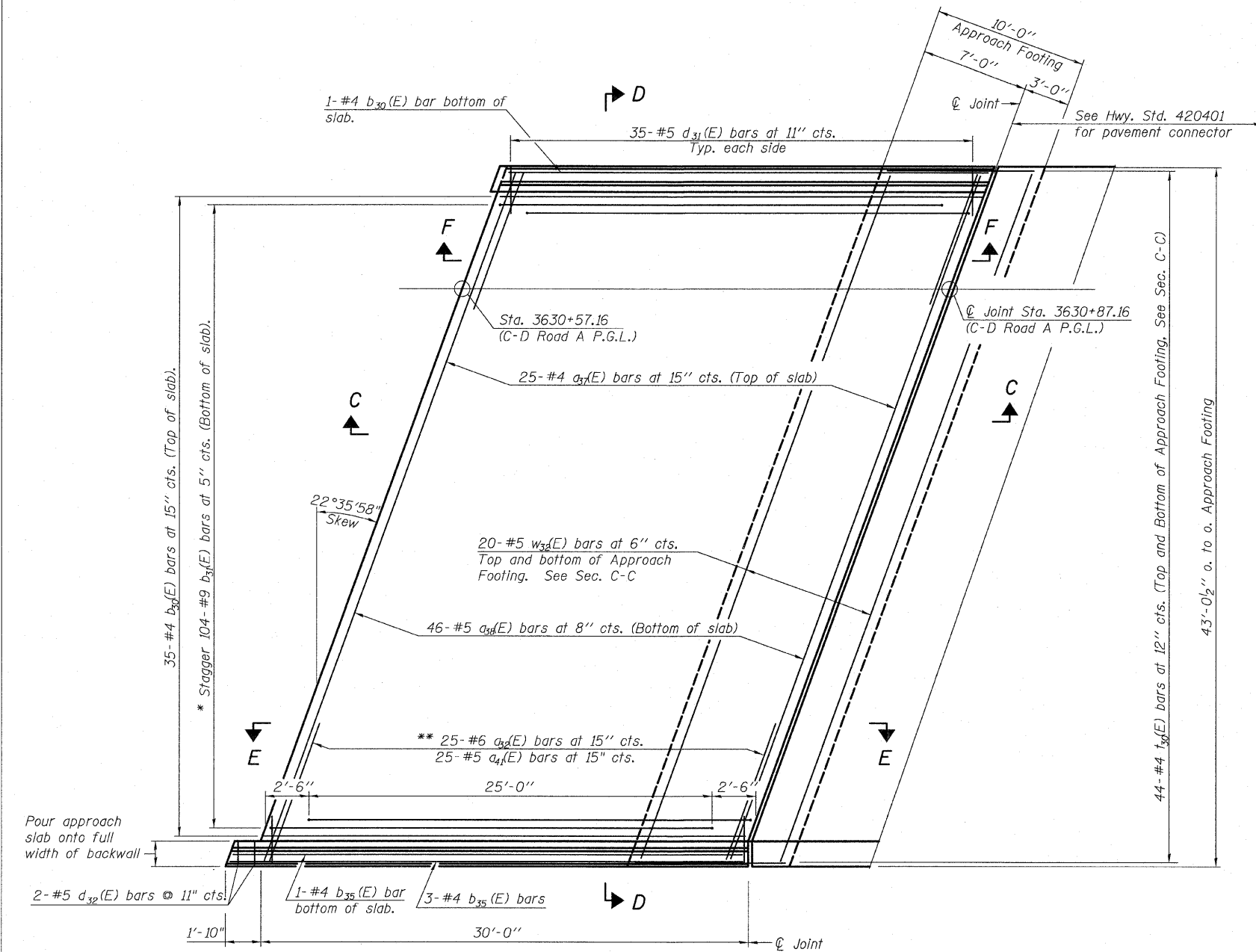


STATE OF ILLINOIS
DEPARTMENT OF TRANSPORTATION

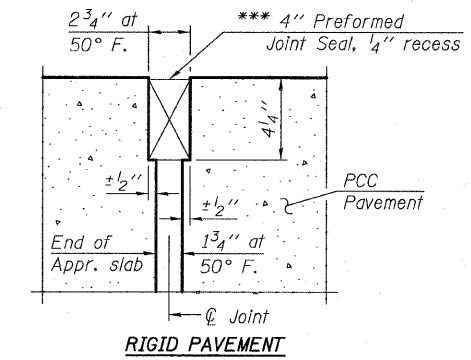
- Notes:
1. See sheet 30 of 68 for Sections C-C & D-D and View E-E.
2. $a_{33}(E)$ and $a_{34}(E)$ bar spacings measured along C Rwy .
3. Bars indicated thus 20x3-#5 etc. indicates 20 lines of bars with 3 lengths per line.



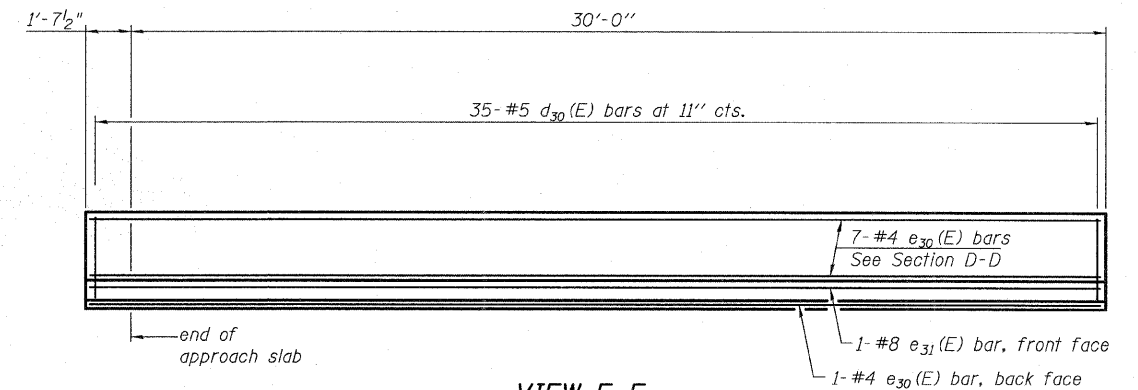
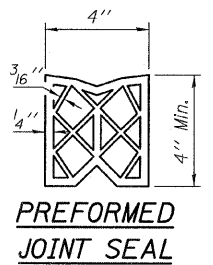
PLAN

- * Tilt #9 $b_{31}(E)$ bars as required to maintain clearance.
- ** Space between $a_{33}(E)$ bars, typ. each parapet.

*** Cost included with Concrete Superstructure.



DETAIL A



VIEW F-F

EAST APPROACH SLAB C-D ROAD A - 1
STRUCTURE NO. 016-1251

TYLIN INTERNATIONAL	DESIGNED - JMA	REVISIONS		SHEET NO. 29 68 SHEETS	F.A.I. RTE.	SECTION	COUNTY	TOTAL SHEETS	SHEET NO.
	CHECKED - SP.	NAME	DATE		57	1414.2B	COOK	516	274
	DRAWN - JMA				CONTRACT NO. 60J27				
	CHECKED - SP,PDF				FED. ROAD DIST. NO. 1 ILLINOIS FED. AID PROJECT				
	DATE - 03/18/10								