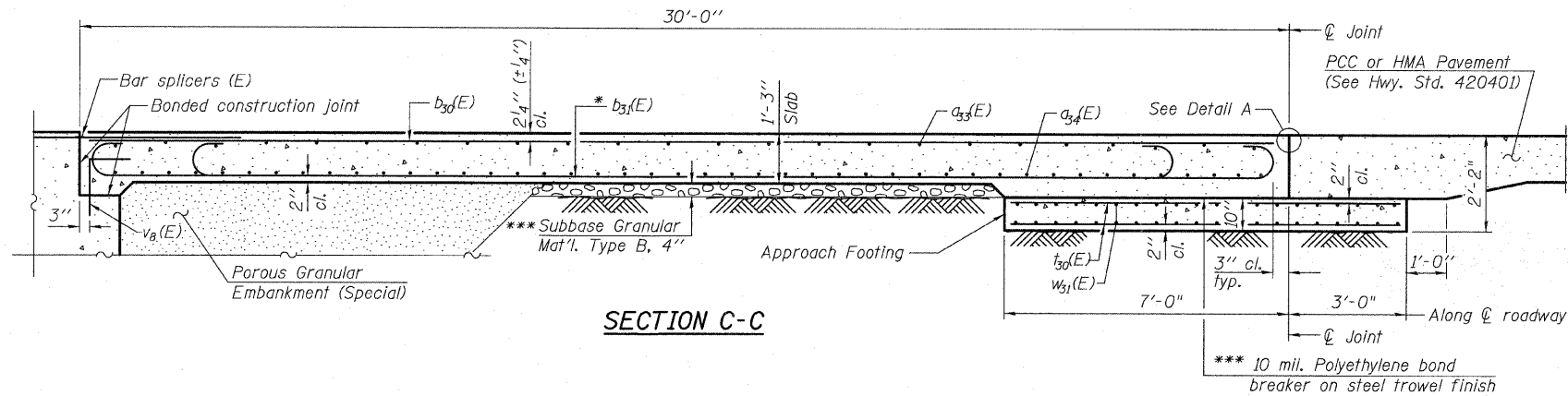


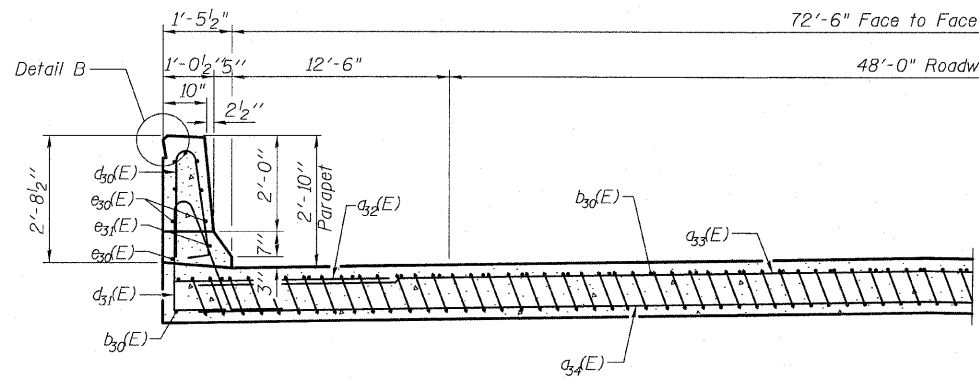
STATE OF ILLINOIS
DEPARTMENT OF TRANSPORTATION



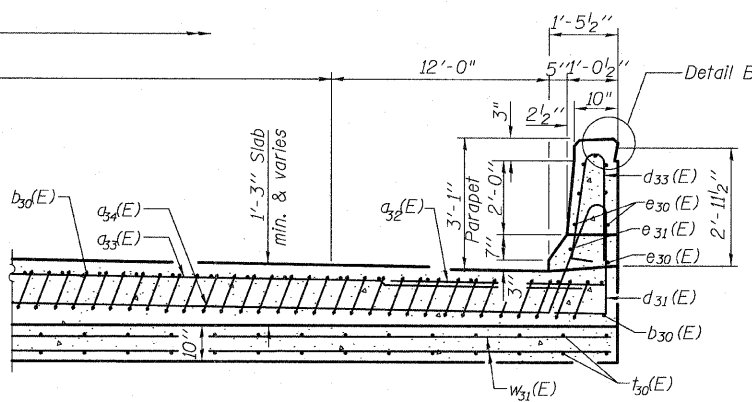
SECTION C-C

Notes:
See sheet 31 of 68 for Detail A.
Approach slab and parapet concrete shall be paid for as Concrete Superstructure.
Approach footing concrete shall be paid for as Concrete Structures.
Reinforcement shall be paid for as Reinforcement Bars, Epoxy Coated.
For $v_8(E)$ bar details, see sheet 46 of 68.
The approach footing maximum applied service bearing pressure (Q_{max}) = 2.0 ksf.
For bar splicer details, see sheet 56 of 68.
Cost of excavation for approach footing included with Concrete Structures.
For Porous Granular Embankment (Special) and drainage treatment details, see sheet 2 of 68.

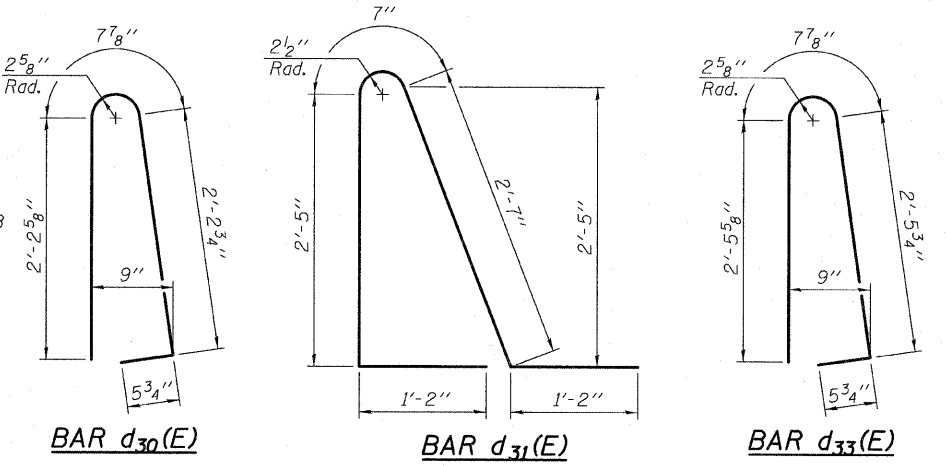
The quantity for Bridge Deck Grooving & Protective Coat for approach slab is included with the quantities on sheet 2 of 68.



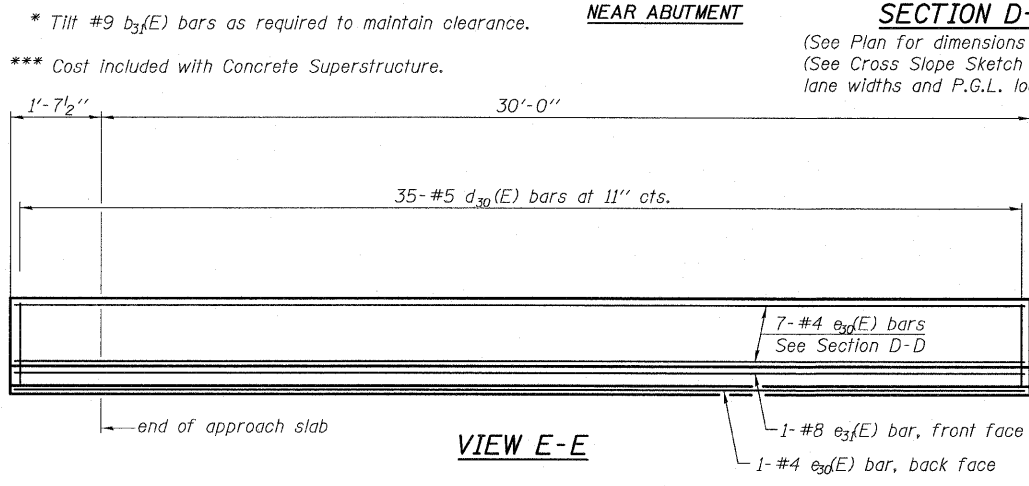
NEAR ABUTMENT



AT APPROACH FOOTING

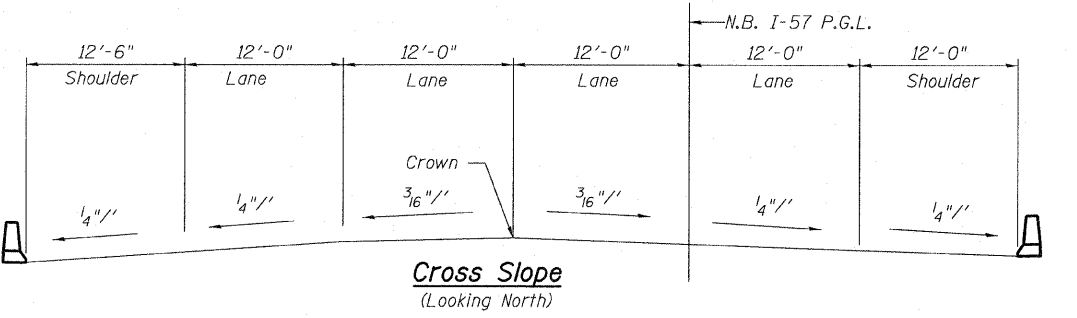


BILL OF MATERIAL

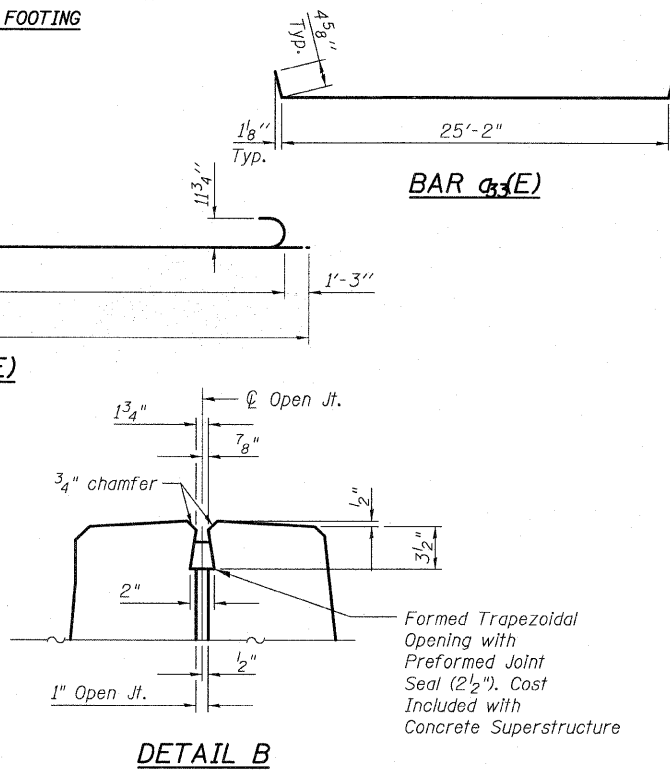


VIEW E-E

SECTION D-D
(See Plan for dimensions not shown)
(See Cross Slope Sketch below for lane widths and P.G.L. location)



Cross Slope
(Looking North)



DETAIL B

Bar	No.	Size	Length	Shape
$a_{32}(E)$	50	#6	6'-6"	—
$a_{33}(E)$	75	#4	29'-1"	—
$a_{34}(E)$	92	#5	42'-4"	—
$b_{30}(E)$	63	#4	29'-8"	—
$b_{31}(E)$	182	#9	29'-9"	—
$d_{30}(E)$	35	#5	5'-7"	—
$d_{31}(E)$	70	#5	7'-11"	—
$d_{33}(E)$	35	#5	6'-1"	—
$e_{30}(E)$	16	#4	31'-3"	—
$e_{31}(E)$	2	#8	31'-3"	—
$t_{30}(E)$	152	#4	9'-8"	—
$w_{31}(E)$	120	#5	29'-4"	—
Concrete Superstructure			Cu. Yd.	113.1
Concrete Structures			Cu. Yd.	25.3
(1.) Reinforcement Bars, Epoxy Coated			Pound	31,830

(1.) 4,660 pounds billed in Substructure
Total in Total Bill of Material on Sheet 2

EAST APPROACH SLAB NB I-57 - 2
STRUCTURE NO. 016-1251

TYLIN INTERNATIONAL	DESIGNED - JMA	REVISIONS		SHEET NO. 32	F.A.I RTE.	SECTION	COUNTY	TOTAL SHEETS	SHEET NO.											
	CHECKED - SP,	NAME	DATE							57	1414.2B	COOK	516	277						
	DRAWN - JMA														68 SHEETS	ILLINOIS	CONTRACT NO. 60J27			
	CHECKED - SP,PDF																	FED. ROAD DIST. NO. 1	ILLINOIS	FED. AID PROJECT
	DATE - 03/18/10																			

P:\60254\057-294\STRUCTURAL\I-57 OVER 1294.0161251-60J27-032-E-APPR4.dgn 3/17/2010