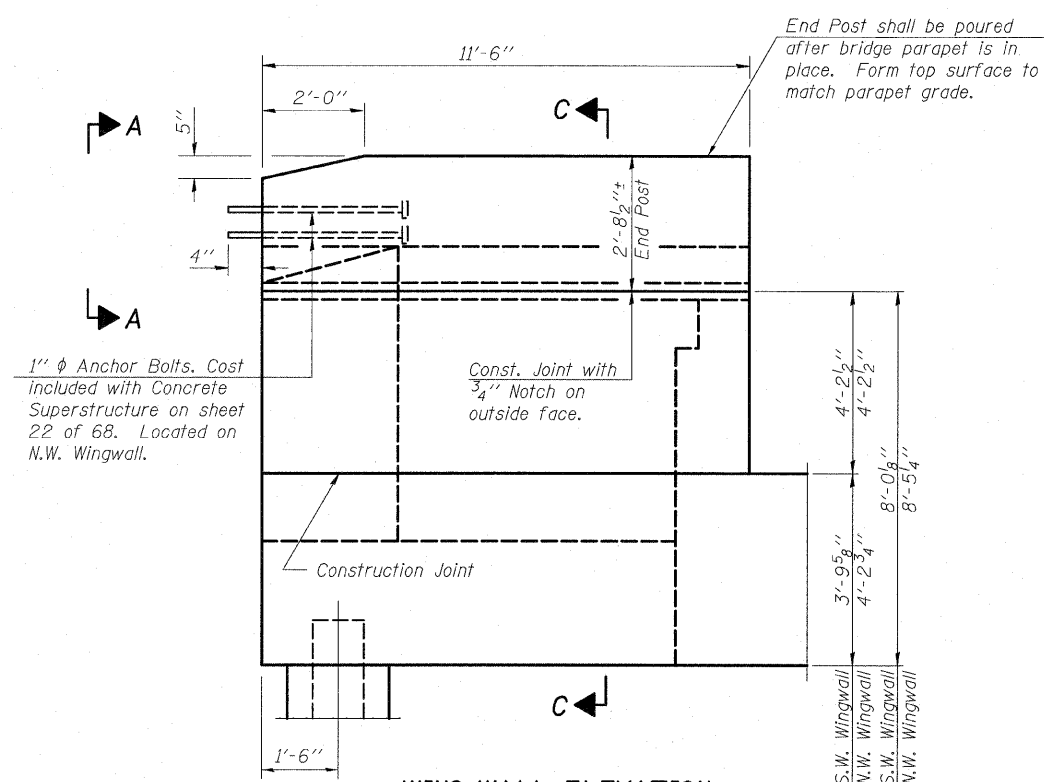
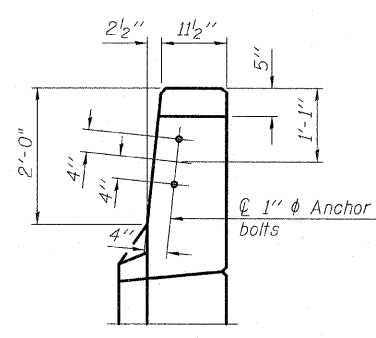


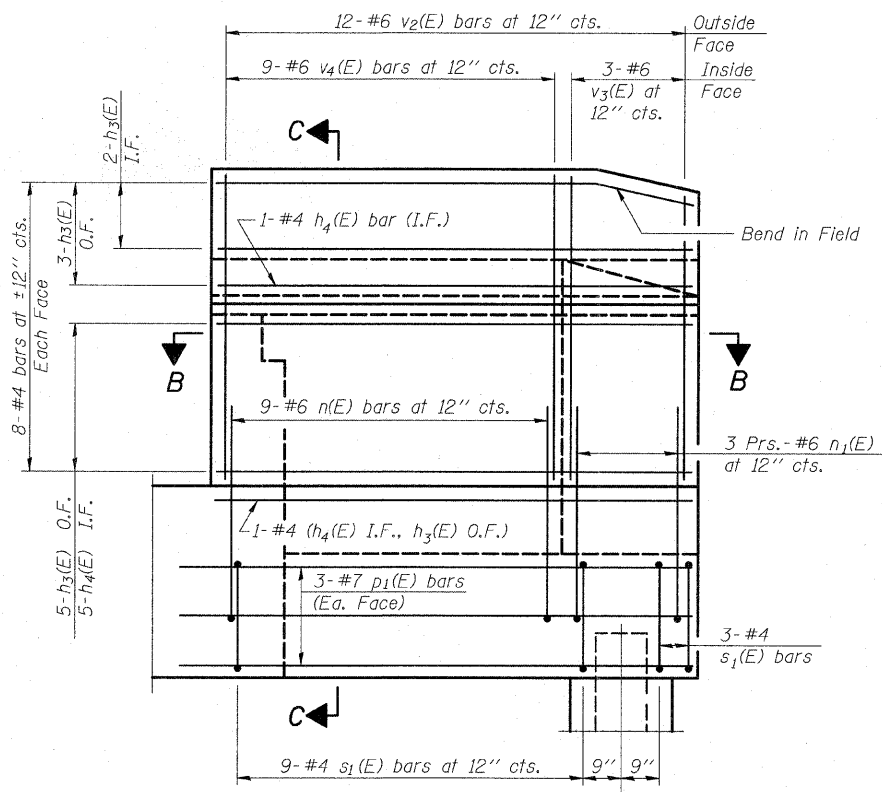
STATE OF ILLINOIS
DEPARTMENT OF TRANSPORTATION



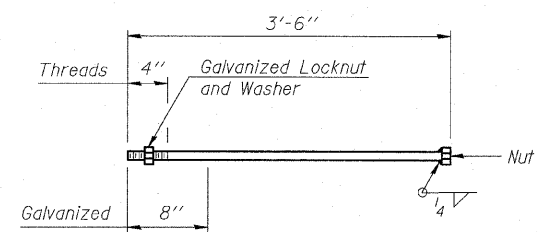
WING WALL ELEVATION
Showing Dimensions



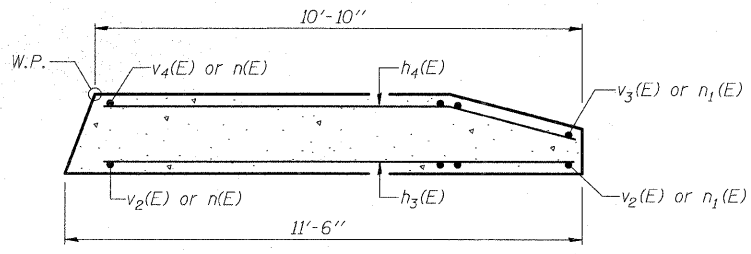
VIEW A-A



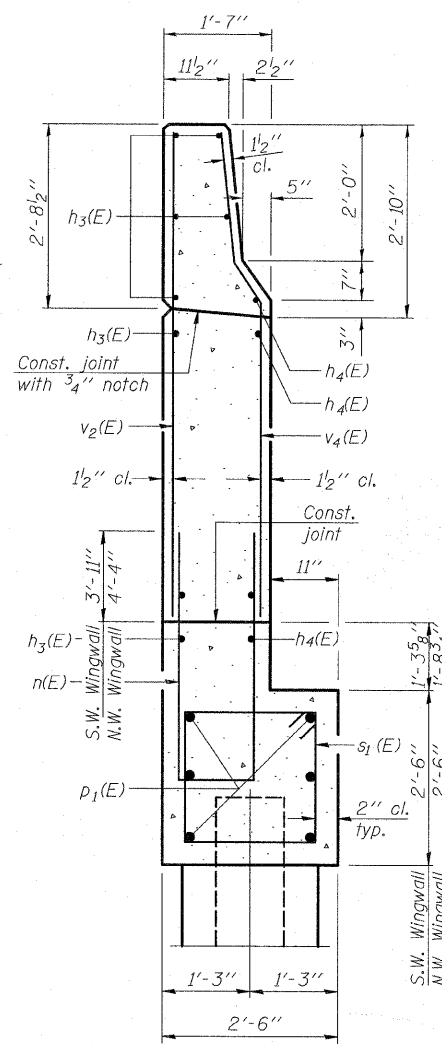
WING WALL ELEVATION
Showing Reinforcement



1" φ ANCHOR BOLT



SECTION B-B



SECTION C-C

For notes, see sheet 44 of 68.

WEST ABUTMENT DETAILS
STRUCTURE NO. 016-1251

TYLIN INTERNATIONAL	DESIGNED - EKH	REVISIONS		SHEET NO. 45 68 SHEETS	F.A.I. RTE. 57	SECTION 1414.2B	COUNTY COOK	TOTAL SHEETS 516	SHEET NO. 290	
	CHECKED - SP.	NAME	DATE							CONTRACT NO. 60J27
	DRAWN - EKH									
	CHECKED - SP,PDF									
	DATE - 03/18/10									
					FED. ROAD DIST. NO. 1 ILLINOIS FED. AID PROJECT					

P:\602540\57-294\STRUCTURAL\1-57_OVER_1294\0161251-60J27-045-W_ABUT3.dwg 3/17/2010 7:03:48 PM