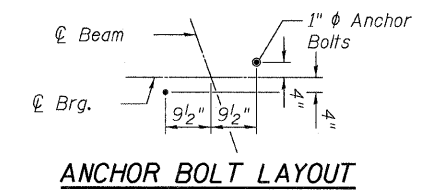
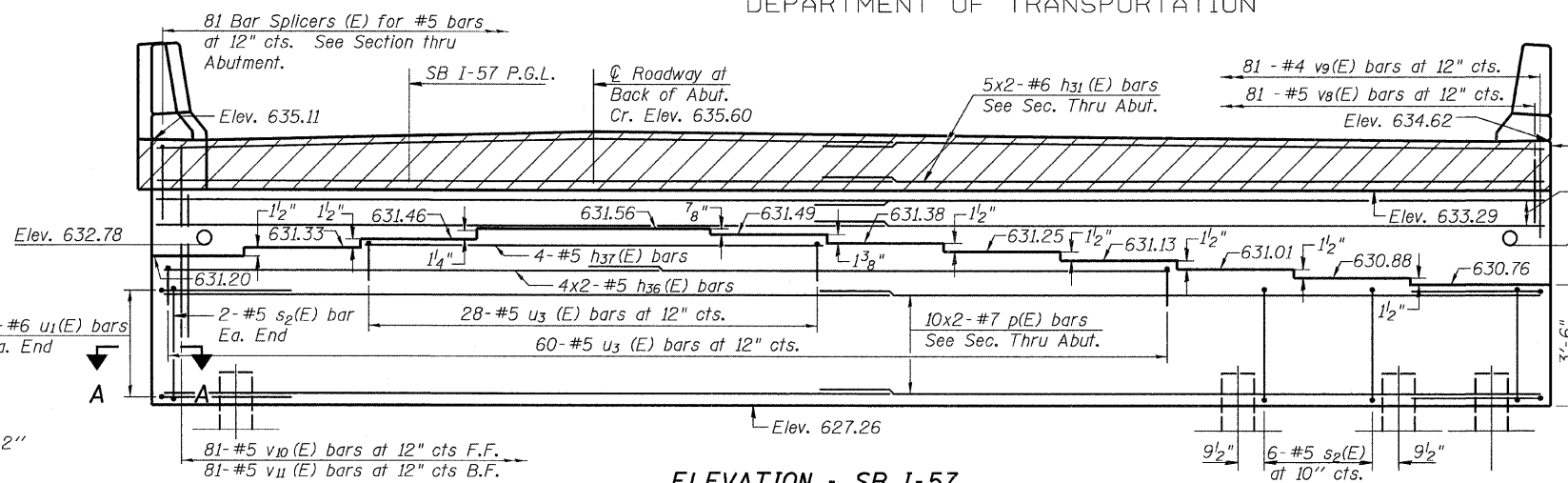
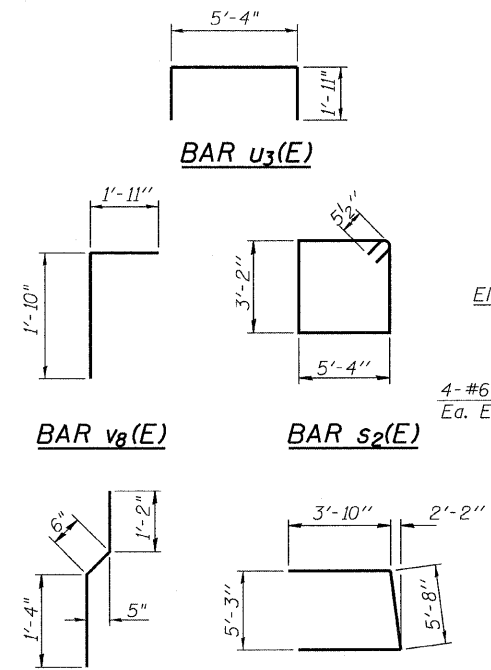


STATE OF ILLINOIS
DEPARTMENT OF TRANSPORTATION



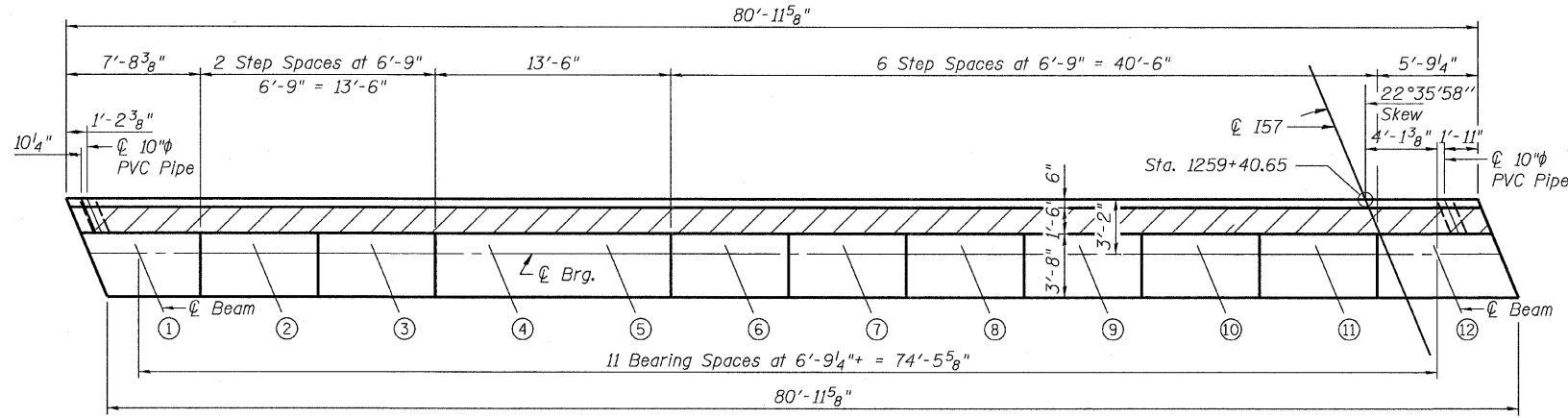
ABUTMENT
BILL OF MATERIAL

Bar	No.	Size	Length	Shape
h30(E)	5	#6	44'-7"	
h31(E)	20	#6	42'-8"	
h32(E)	4	#5	45'-5"	
h33(E)	16	#5	42'-4"	
h35(E)	4	#5	40'-2"	
h36(E)	8	#5	31'-4"	
h37(E)	4	#5	26'-8"	
p(E)	40	#7	43'-4"	
p3(E)	10	#7	45'-5"	
s2(E)	216	#5	17'-11"	
u1(E)	24	#6	13'-4"	
u3(E)	129	#5	9'-2"	
v8(E)	208	#5	3'-9"	
v9(E)	208	#4	3'-0"	
v10(E)	208	#4	6'-3"	
v11(E)	208	#4	4'-0"	
Structure Excavation		Cu. Yd.	5,182	
Concrete Structures		Cu. Yd.	215.6	
Reinforcement Bars, Epoxy Coated		Pound	15,930	
Furnishing Steel Piles, HP 12x53		Foot	3,358	
Driving Piles		Foot	3,358	
Test Pile, Steel HP 12x53		Each	1	

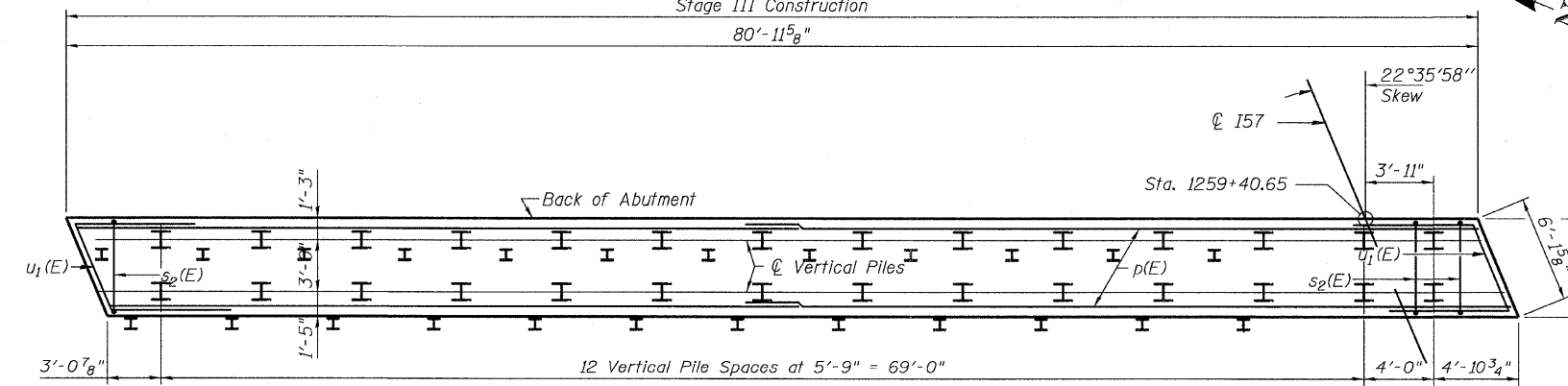
PILE DATA

Type: HP 12x53 with Pile Shoes
Nominal Required Bearing: 295 kips
Factored Resistance Available: 162 kips
Est. Length: 46 feet
No. Production Piles: 73
No. Test Piles: 1

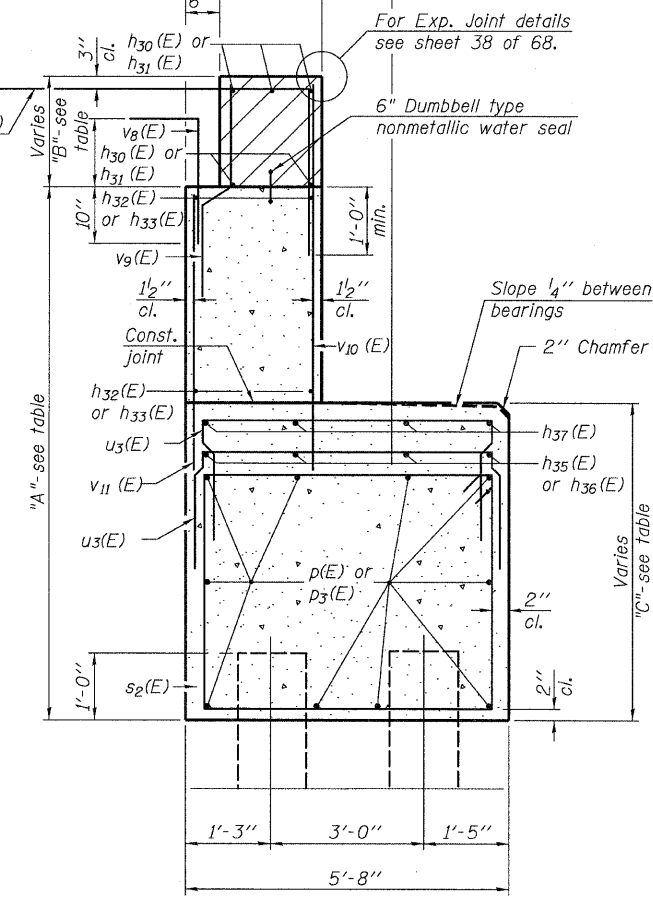
Piles shall be driven through 18" diameter precored holes extending to Elevation 600 according to Article 512.09(c) of the Standard Specifications.
Cost included with Driving Piles.



TOP VIEW



PLAN-PILE CAP



SEC. THRU ABUT.

Location	A	B	C
C-D Road A	6'-8"	1'-4" to 1'-8 3/4"	4'-0 5/8" to 4'-4 1/4"
NB I-57	6'-3 1/2"	1'-4" to 2'-0 1/4"	3'-7 7/8" to 4'-3 1/2"
SB I-57	6'-0 3/4"	1'-4" to 2'-3 3/4"	3'-6" to 4'-3 5/8"

Notes:
Hatched area to be poured after superstructure false work has been removed. Quantity of concrete included with Concrete Superstructure. Space reinforcement in cap to miss anchor bolts. Pour steps monolithically with cap. For details of piles, see sheet 55 of 68. For details of Bar Splicers, see sheet 56 of 68. For section A-A, see sheet 44 of 68. Piles shall be driven prior to placement of the reinforced select fill and coated with bitumen from the bottom of the select fill to 1" above the base of the abutment. The cost of the bitumen coating shall be included with the cost of the Furnishing Piles.

EAST ABUTMENT - 2 AND DETAILS
STRUCTURE NO. 016-1251

TYLIN INTERNATIONAL	DESIGNED - EKH	REVISIONS		SHEET NO. 47	F.A.I. RTE.	SECTION	COUNTY	TOTAL SHEETS	SHEET NO.	
	CHECKED - SP,	NAME	DATE		68 SHEETS	57	1414.2B	COOK	516	292
	DRAWN - EKH					CONTRACT NO. 60J27				
	CHECKED - SP,PDF					FED. ROAD DIST. NO. 1 ILLINOIS FED. AID PROJECT				
	DATE - 03/18/10		04/29/10							