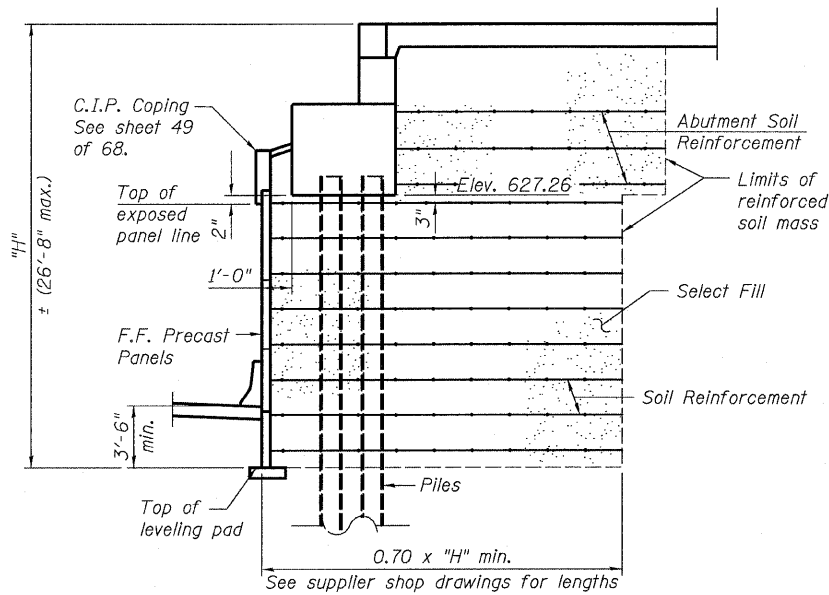
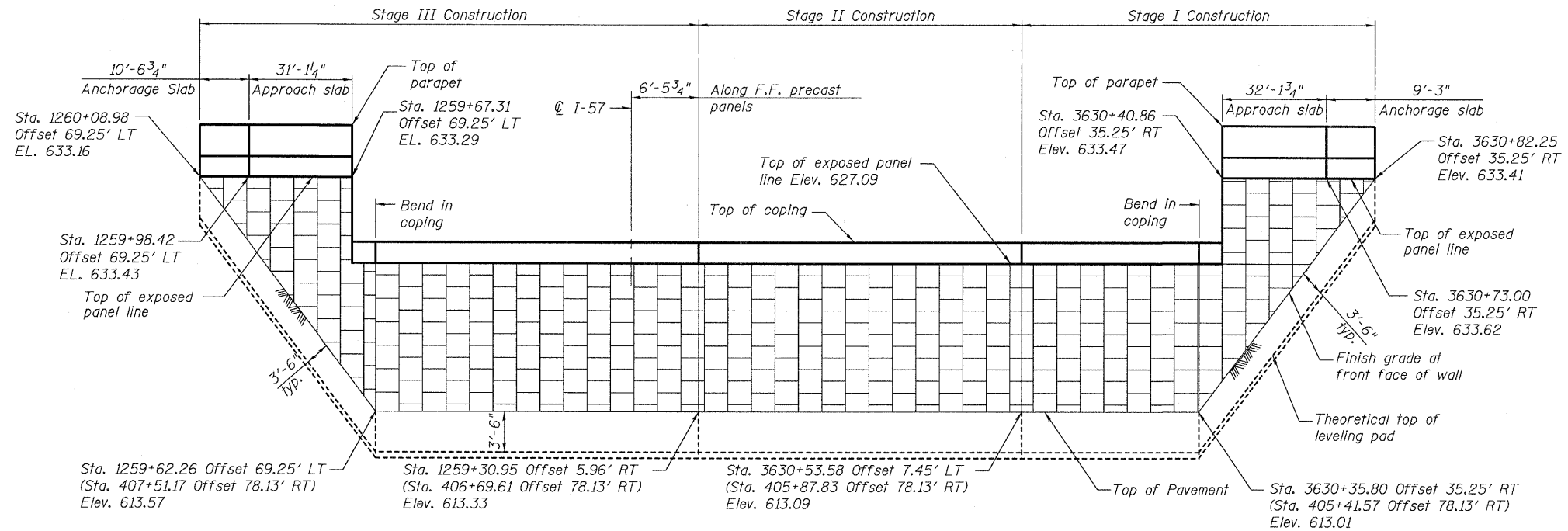


STATE OF ILLINOIS
DEPARTMENT OF TRANSPORTATION



SECTION THRU ABUTMENT

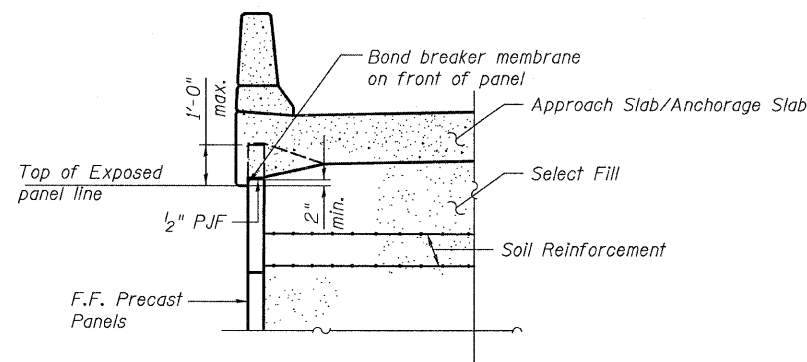
NOTES

The MSE wall supplier shall design the abutment soil reinforcement to resist a horizontal force of 1.83 kips/ft of abutment.

Piles shall be driven prior to placement of the reinforced select fill and coated with bitumen from the bottom of the select fill to 1\"/>

EAST ABUTMENT WALL

Developed elevation along front face



SECTION THRU WINGWALLS

The M.S.E. wall supplier's internal stability design shall account for the slabs bearing pressure surcharge of 1.0 ksf.

NOTES

- Offsets are to Front Face of precast panels.
- For coping details see sheet 49 of 68.
- For anchorage slab details, see sheet 35 of 68.

**MECHANICALLY STABILIZED
EARTH RETAINING WALL
STRUCTURE NO. 016-1251**

TYLIN INTERNATIONAL	DESIGNED - JA	REVISIONS		SHEET NO. 48	F.A.I. RTE.	SECTION 1414.2B	COUNTY COOK	TOTAL SHEETS 516	SHEET NO. 293	
	CHECKED - SP, PDF	NAME	DATE		68 SHEETS					CONTRACT NO. 60J27
	DRAWN - JA									
	CHECKED - SP, PDF									
	DATE - 03/18/10		04/29/10		FED. ROAD DIST. NO. 1	ILLINOIS	FED. AID PROJECT			