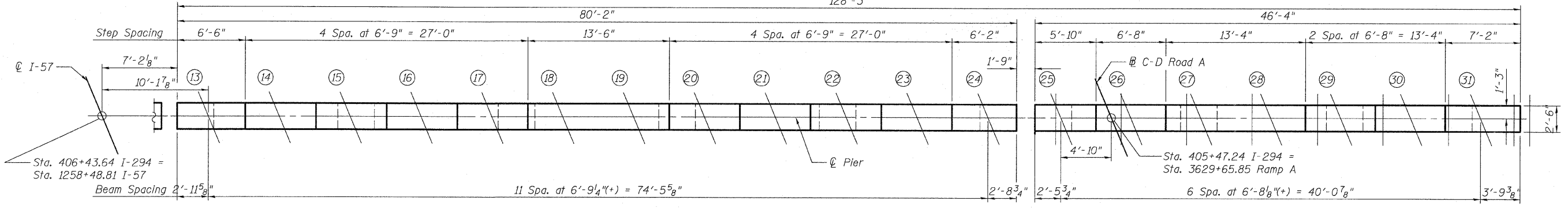
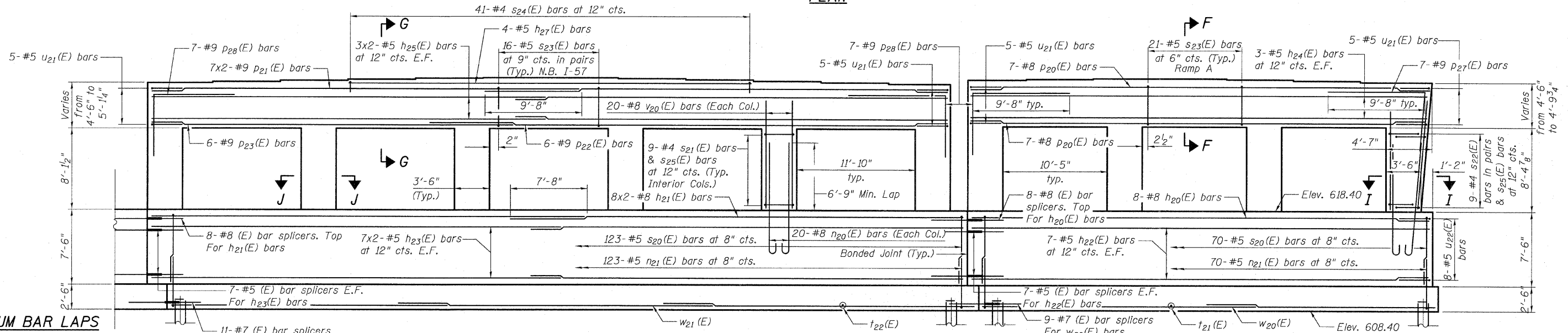


STATE OF ILLINOIS
DEPARTMENT OF TRANSPORTATION
128'-3"



PLAN

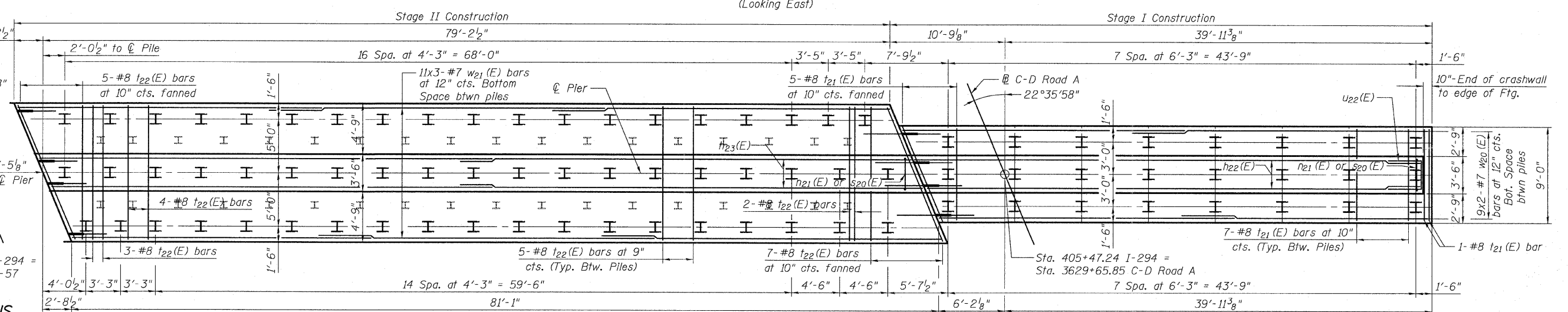


ELEVATION
(Looking East)

MINIMUM BAR LAPS

Bar	Lap
#5	3'-3"
#7	5'-2"
#8	6'-9"
#8	*7'-8"
#9	8'-7"
#9	*9'-8"

*Top bar lap 22°35'58"



FOOTING PLAN

NOTES:

1. See Sheet 53 of 68 for Notes.
2. For Sections and Bill of Material see Sheet 54 of 68.

PIER 2 PLAN AND ELEVATION - 1
STRUCTURE NO. 016-1251

SEAT ELEVATIONS

Beam No.	13	14	15	16	17	18	19	20	21	22	23	24	25	26	27	28	29	30	31
Elevation	631.03	631.16	631.29	631.42	631.54	631.63	631.63	631.54	631.42	631.29	631.16	631.03	631.44	631.53	631.62	631.62	631.55	631.44	631.31
Step Height	1 1/2"	1 1/2"	1 1/2"	1 1/2"	1 1/8"	0"	1 1/8"	1 1/2"	1 1/2"	1 1/2"	1 1/2"	1 1/2"	1 1/8"	1 1/8"	0"	1 1/8"	1 3/8"	1 1/2"	1 1/2"

TYLIN INTERNATIONAL

DESIGNED - PK	REVISIONS
CHECKED - SP,	NAME
DRAWN - PK	DATE
CHECKED - SP,PDF	
DATE - 03/18/10	

SHEET NO. 52	F.A.I RTE.	SECTION	COUNTY	TOTAL SHEETS	SHEET NO.
68 SHEETS	57	1414.2B	COOK	516	297
CONTRACT NO. 60J27					
FED. ROAD DIST. NO. 1 ILLINOIS FED. AID PROJECT					

P:\602540\57-294\STRUCTURAL\1-57 OVER 1294.0161251-60J27-052-PIER2-EL1.dgn 3/17/2010