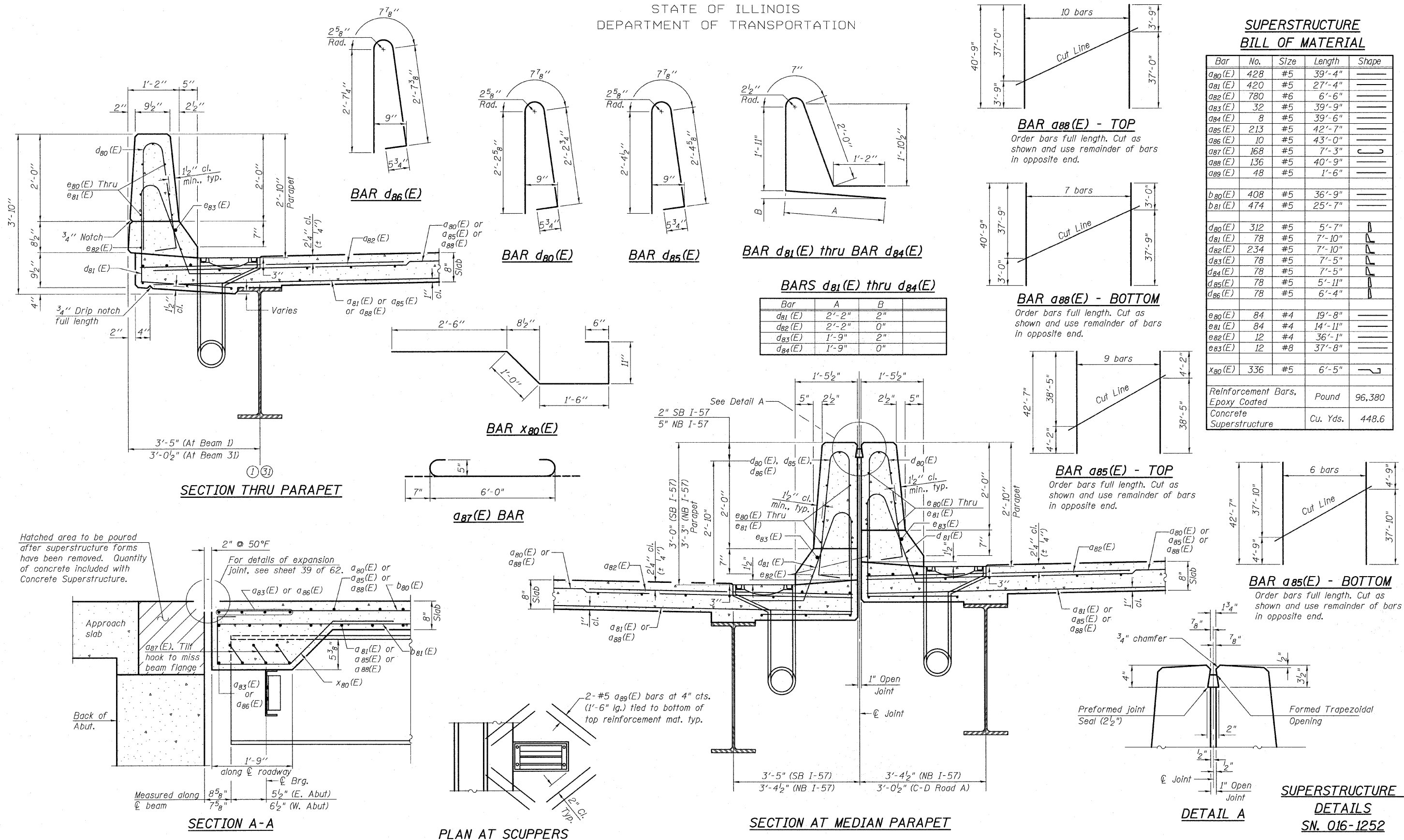


STATE OF ILLINOIS
DEPARTMENT OF TRANSPORTATION



**SUPERSTRUCTURE
BILL OF MATERIAL**

Bar	No.	Size	Length	Shape
a80(E)	428	#5	39'-4"	—
a81(E)	420	#5	27'-4"	—
a82(E)	780	#6	6'-6"	—
a83(E)	32	#5	39'-9"	—
a84(E)	8	#5	39'-6"	—
a85(E)	213	#5	42'-7"	—
a86(E)	10	#5	43'-0"	—
a87(E)	168	#5	7'-3"	U
a88(E)	136	#5	40'-9"	—
a89(E)	48	#5	1'-6"	—
b80(E)	408	#5	36'-9"	—
b81(E)	474	#5	25'-7"	—
d80(E)	312	#5	5'-7"	—
d81(E)	78	#5	7'-10"	—
d82(E)	234	#5	7'-10"	—
d83(E)	78	#5	7'-5"	—
d84(E)	78	#5	7'-5"	—
d85(E)	78	#5	5'-11"	—
d86(E)	78	#5	6'-4"	—
e80(E)	84	#4	19'-8"	—
e81(E)	84	#4	14'-11"	—
e82(E)	12	#4	36'-11"	—
e83(E)	12	#8	37'-8"	—
x80(E)	336	#5	6'-5"	—
Reinforcement Bars, Epoxy Coated			Pound	96,380
Concrete Superstructure			Cu. Yds.	448.6

TYLIN INTERNATIONAL

DESIGNED	DY	REVISIONS	NAME	DATE
CHECKED	AD,LS			
DRAWN	DY,EI			
CHECKED	LS,SP,PDF			
DATE	03/18/10			

SHEET NO.	F.A.I. RTE.	SECTION	COUNTY	TOTAL SHEETS	SHEET NO.
21	57	1414.2B	COOK	516	334
62 SHEETS					
CONTRACT NO. 60J27					
FED. ROAD DIST. NO. 1 ILLINOIS FED. AID PROJECT					

P:\502540157-294\STRUCTURAL\I-57 OVER RAMP.BV1.mel.submittal.03-17-2010\161252-60J27-021-SUPER.DTL.01.dgn 11:20:09 AM 3/18/2010