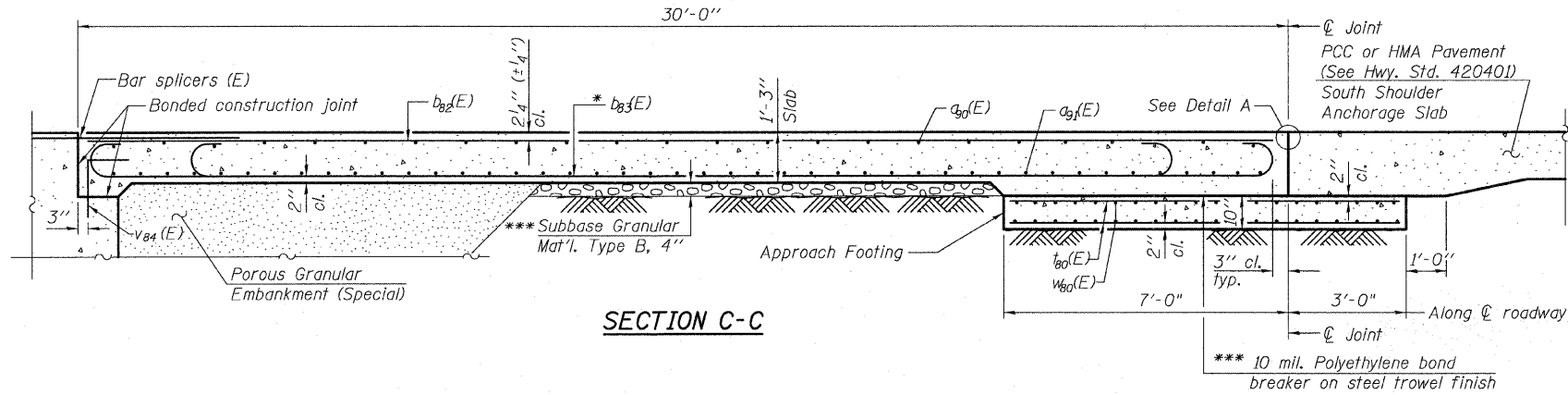


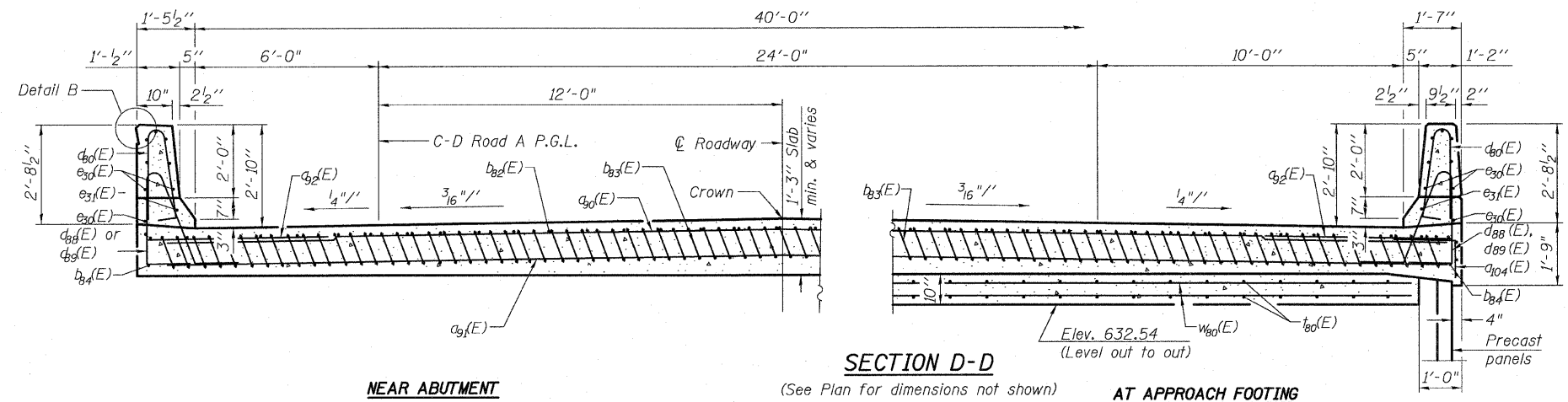
STATE OF ILLINOIS  
DEPARTMENT OF TRANSPORTATION



SECTION C-C

Notes:  
See sheet 22 of 62 for Detail A.  
Approach slab and parapet concrete shall be paid for as Concrete Superstructure.  
Approach footing concrete shall be paid for as Concrete Structures.  
Reinforcement shall be paid for as Reinforcement Bars, Epoxy Coated.  
For  $v_{84}(E)$  bar details, see sheet 46 of 62.  
The approach footing maximum applied service bearing pressure ( $Q_{max}$ ) = 2.0 ksf.  
For bar splicer details, see sheet 55 of 62.  
Cost of excavation for approach footing included with Concrete Structures.

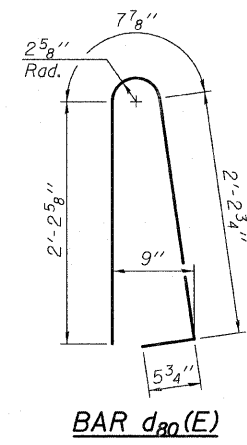
The quantity for Bridge Deck Grooving & Protective Coat for approach slab is included with the quantities on sheet 2 of 62.



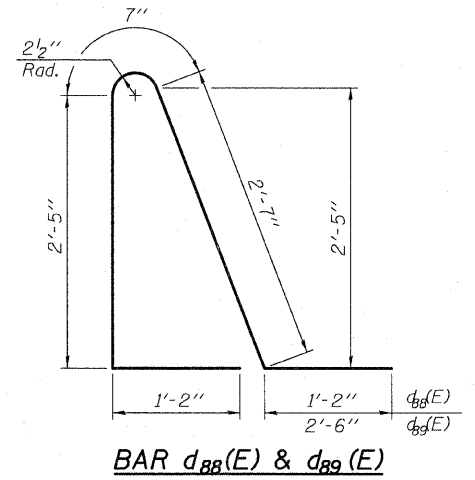
NEAR ABUTMENT

SECTION D-D  
(See Plan for dimensions not shown)

AT APPROACH FOOTING



BAR  $d_{80}(E)$



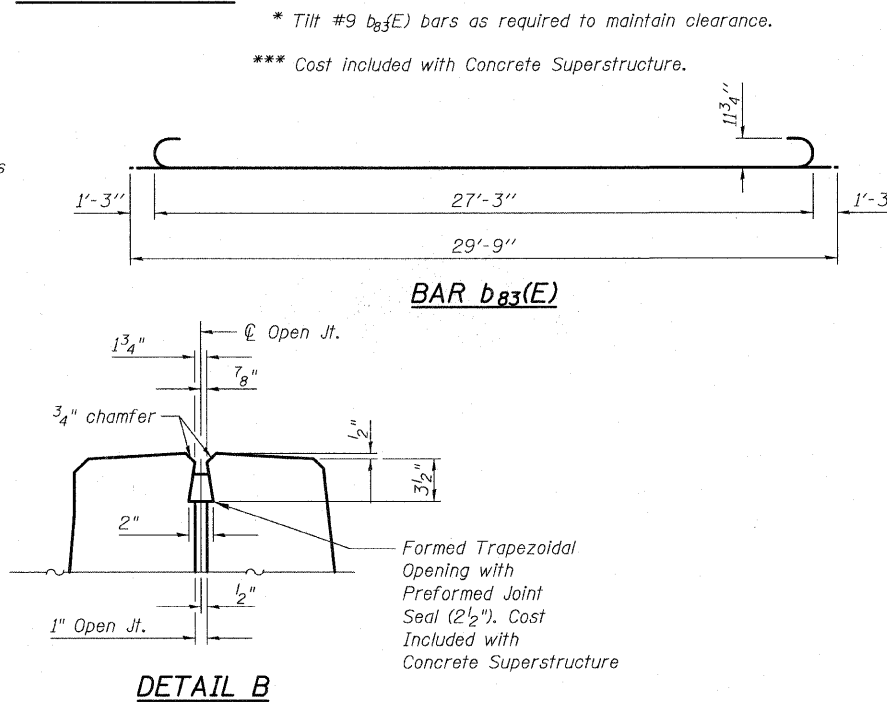
BAR  $d_{88}(E)$  &  $d_{89}(E)$

BILL OF MATERIAL

Bar	No.	Size	Length	Shape
$a_{30}(E)$	25	#4	43'-0"	—
$a_{31}(E)$	46	#5	43'-0"	—
$a_{32}(E)$	50	#6	6'-6"	—
$b_{30}(E)$	36	#4	29'-8"	—
$b_{31}(E)$	105	#9	29'-9"	—
$b_{32}(E)$	2	#4	31'-2"	—
$d_{80}(E)$	70	#5	5'-7"	U
$d_{88}(E)$	66	#5	7'-11"	U
$d_{89}(E)$	4	#5	9'-3"	U
$e_{30}(E)$	16	#4	31'-2"	—
$e_{31}(E)$	2	#8	31'-2"	—
$w_{80}(E)$	88	#4	9'-9"	—
$w_{80}(E)$	40	#5	43'-0"	—
Concrete Superstructure		Cu. Yd.	66.5	
Concrete Structures		Cu. Yd.	13.4	
(1.) Reinforcement Bars, Epoxy Coated		Pound	18,510	

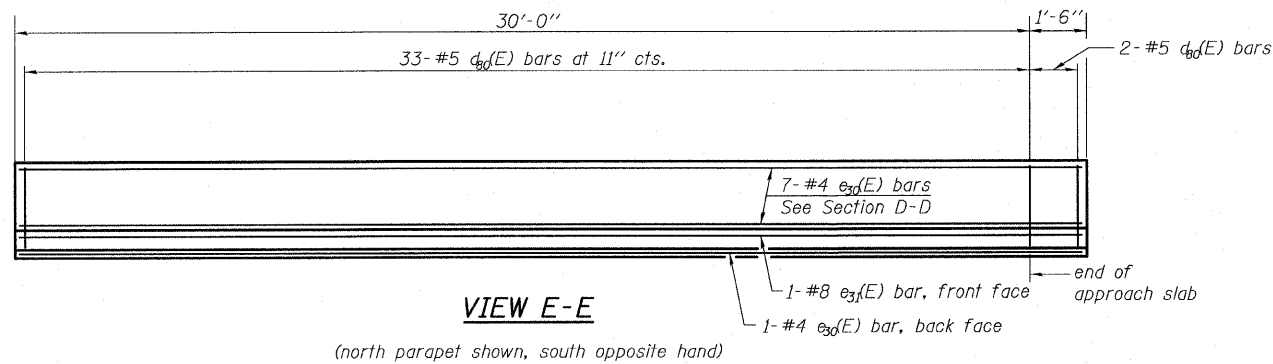
(1.) 2,370 pounds billed in Substructure  
Total in Total Bill of Material on sheet 2 of 62.

WEST APPROACH SLAB C-D ROAD A - 2  
STRUCTURE NO. 016-1252



DETAIL B

BAR  $b_{83}(E)$



VIEW E-E

(north parapet shown, south opposite hand)

TYLIN INTERNATIONAL

DESIGNED	MRB	REVISIONS	
CHECKED	AMD	NAME	DATE
DRAWN	MRB		
CHECKED	LS, SP, PDF		
DATE	03/18/10		

SHEET NO. 23	F.A.I. RTE.	SECTION	COUNTY	TOTAL SHEETS	SHEET NO.
62 SHEETS	57	1414.2B	COOK	516	336
CONTRACT NO. 60J27					
FED. ROAD DIST. NO. 1   ILLINOIS   FED. AID PROJECT					

P:\602940157-294\STRUCTURAL\1-57-OVER-RAMP.B\1.f.incl.submittal\_03-17-2010\0161252-60127-023-W\_APPR2.dgn 9:54:08 AM 3/18/2010