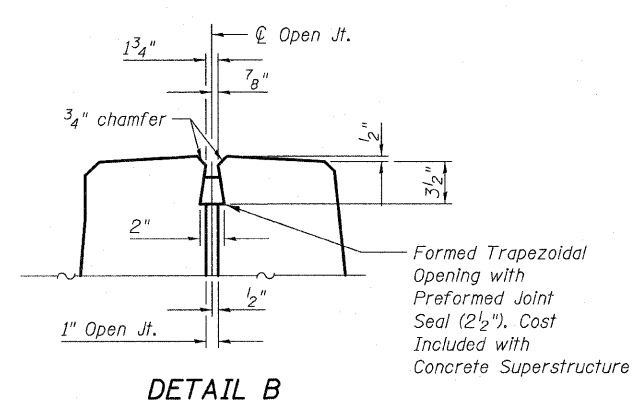
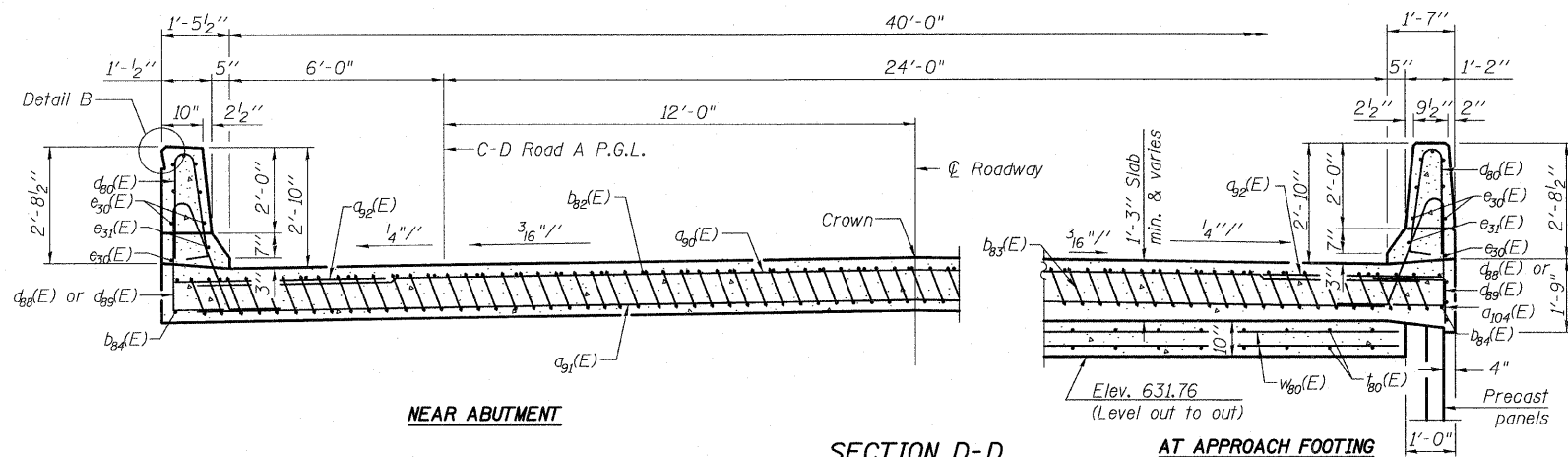
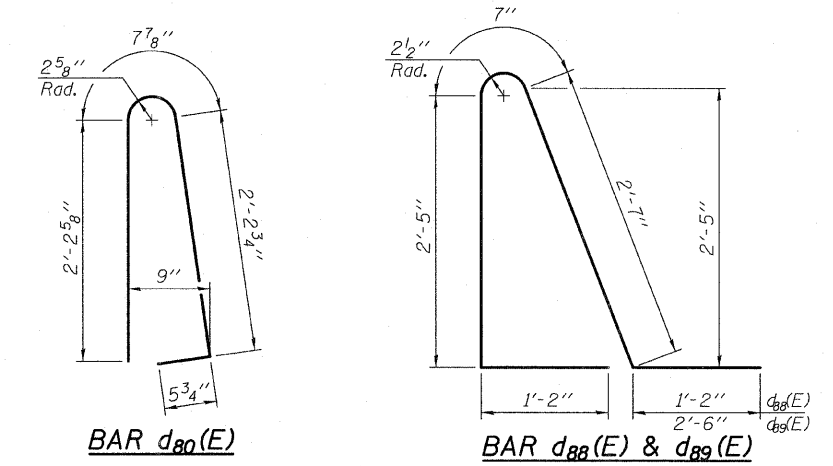
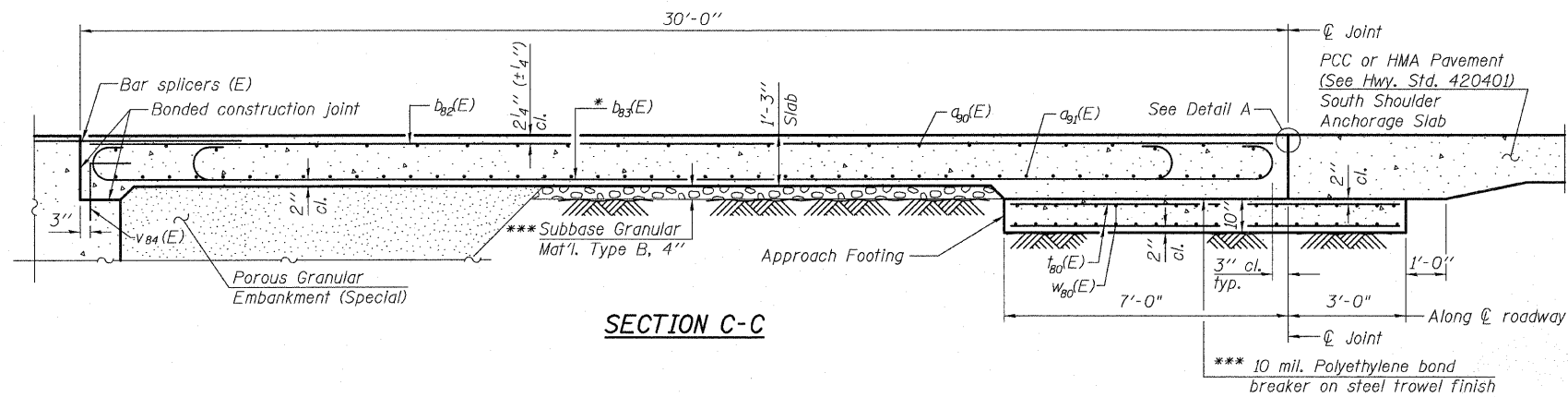


STATE OF ILLINOIS
DEPARTMENT OF TRANSPORTATION

Notes:

See sheet 28 of 62 for Detail A.
Approach slab and parapet concrete shall be paid for as Concrete Superstructure.
Approach footing concrete shall be paid for as Concrete Structures.
Reinforcement shall be paid for as Reinforcement Bars, Epoxy Coated.
For $v_{B4}(E)$ bar details, see sheet 50 of 62.
The approach footing maximum applied service bearing pressure (Q_{max}) = 2.0 ksf.
For bar splicer details, see sheet 55 of 62.
Cost of excavation for approach footing included with Concrete Structures.

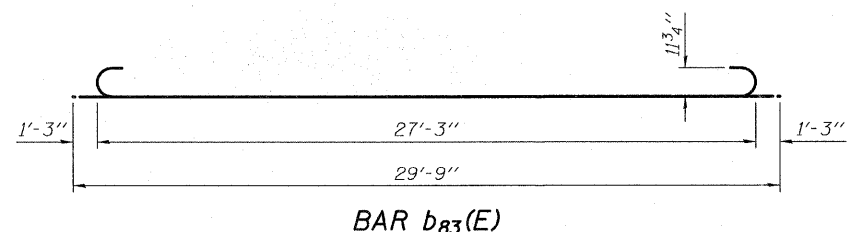
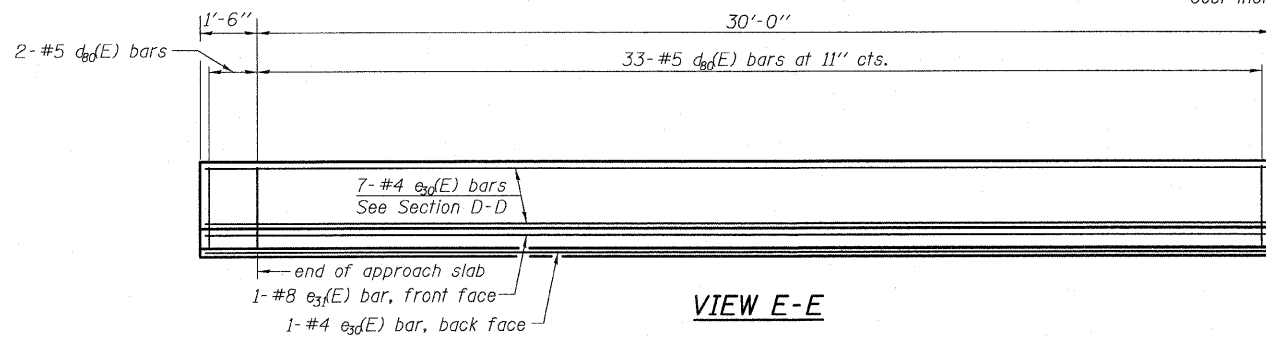
The quantity for Bridge Deck Grooving & Protective Coat for approach slab is included with the quantities on sheet 2 of 62.



BILL OF MATERIAL

Bar	No.	Size	Length	Shape
$d_{B0}(E)$	25	#4	43'-0"	U
$a_{B1}(E)$	46	#5	43'-0"	—
$a_{B2}(E)$	50	#6	6'-6"	—
$b_{B2}(E)$	36	#4	29'-8"	—
$b_{B3}(E)$	105	#9	29'-9"	—
$b_{B4}(E)$	2	#4	31'-2"	—
$d_{B0}(E)$	70	#5	5'-7"	U
$d_{B8}(E)$	66	#5	7'-11"	U
$d_{B9}(E)$	4	#5	9'-3"	U
$e_{B0}(E)$	16	#4	31'-2"	—
$e_{B1}(E)$	2	#8	31'-2"	—
$t_{B0}(E)$	88	#4	9'-9"	—
$w_{B0}(E)$	40	#5	43'-0"	—
Concrete Superstructure		Cu. Yd.	66.5	
Concrete Structures		Cu. Yd.	13.4	
(1.) Reinforcement Bars, Epoxy Coated		Pound	18,510	

(1.) 2,370 pounds billed in Substructure
Total in Total Bill of Material on sheet 2 of 62.



EAST APPROACH SLAB C-D ROAD A - 2
STRUCTURE NO. 016-1252

TYLIN INTERNATIONAL	DESIGNED - MRB	REVISIONS		SHEET NO. 29	F.A.I. RTE.	SECTION	COUNTY	TOTAL SHEETS	SHEET NO.
	CHECKED - AMD	NAME	DATE		57	1414.2B	COOK	516	342
	DRAWN - MRB				62 SHEETS				
	CHECKED - LS,SP,PDF								CONTRACT NO. 60J27
	DATE - 03/18/10					FED. ROAD DIST. NO. 1	ILLINOIS	FED. AID PROJECT	

P:\62540\57-294\STRUCTURAL\1-57-OVER RAMP.BX\Final submittal_03-17-2010\Final submittal_03-17-2010\0161252-60J27-029-E_APPR2.dgn 9:54:19 AM 3/18/2010