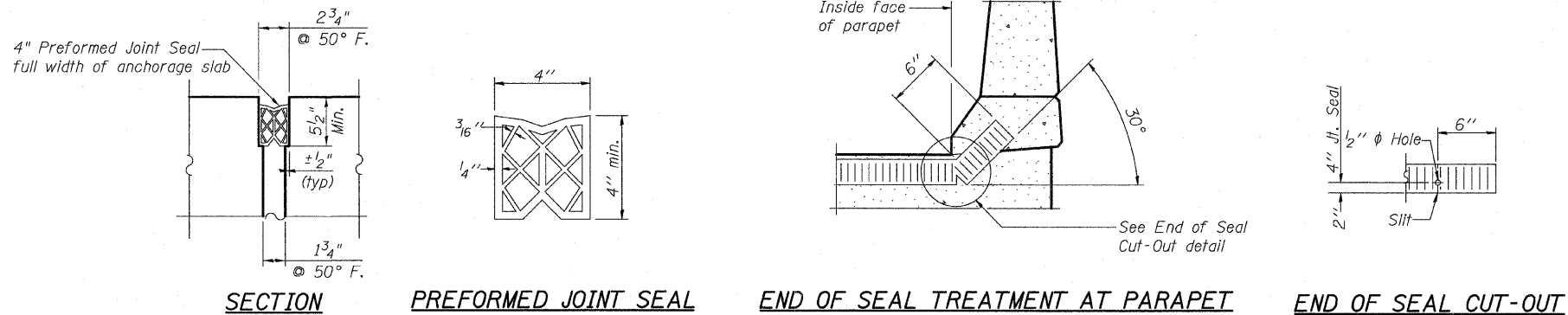
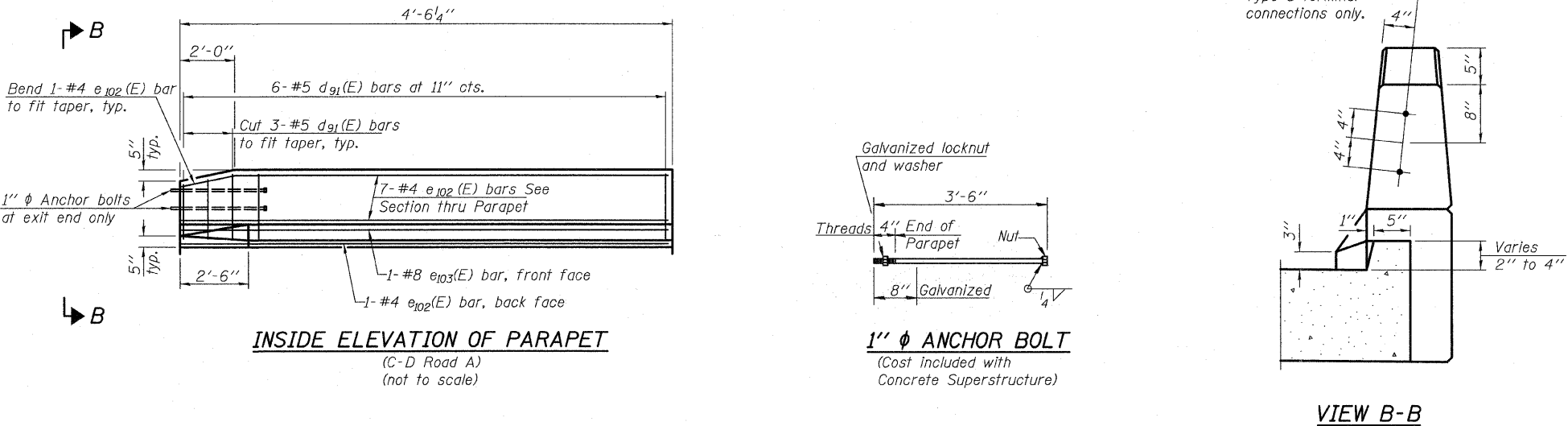


STATE OF ILLINOIS
DEPARTMENT OF TRANSPORTATION



DETAIL - EXPANSION JOINT IN SLAB



DETAIL - TYPE 5 TERMINAL CONNECTION
(Type 5 Terminals be installed in future contract)

ANCHORAGE SLAB DETAILS
S.N. 016-1252

TYLIN INTERNATIONAL	DESIGNED - DY	REVISIONS		SHEET NO. 36	F.A.I. RTE.	SECTION	COUNTY	TOTAL SHEETS	SHEET NO.	
	CHECKED - AD,LS	NAME	DATE		57	1414.2B	COOK	516	349	
	DRAWN - DY,EI				CONTRACT NO. 60J27					
	CHECKED - LS,SP,PDF				FED. ROAD DIST. NO. 1 ILLINOIS FED. AID PROJECT					
	DATE - 03/18/10									

P:\602540\57-294\STRUCTURAL\1-57 OVER RAMP BX\Final submit.tol_03-17-2010\Final submit.tol_03172010\0161251-60J27-036-ANCH.SLAB.DTL.dgn 9:54:31 AM 3/18/2010