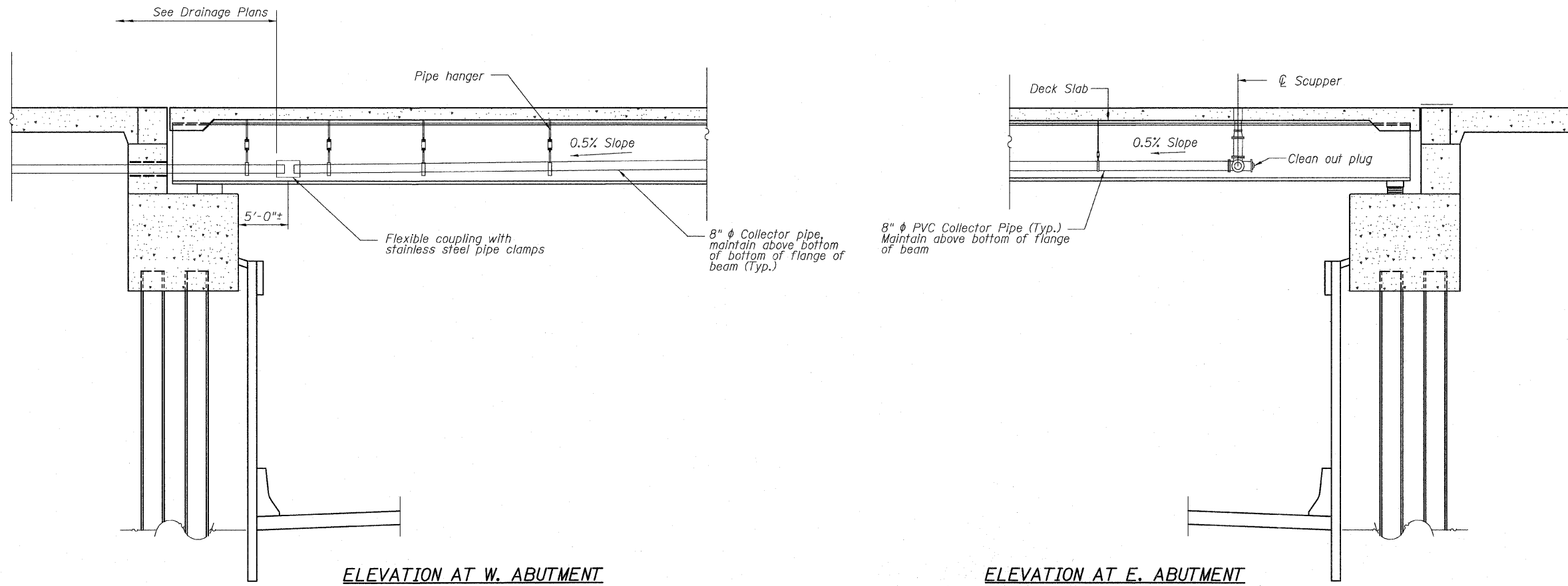
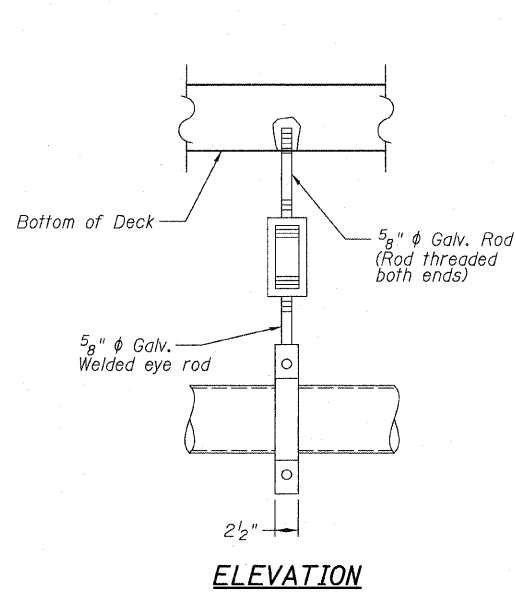


STATE OF ILLINOIS
DEPARTMENT OF TRANSPORTATION

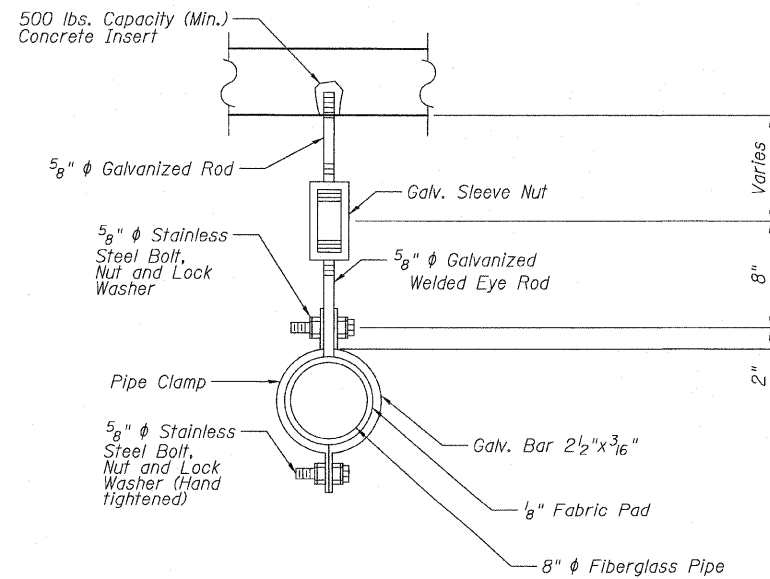


ELEVATION AT W. ABUTMENT

ELEVATION AT E. ABUTMENT



ELEVATION



TYPICAL SECTION

PIPE HANGER DETAIL

NOTES:

1. See sheets 17 thru 19 for location of scuppers.
2. See special provisions for additional information.
3. Contractor to provide shop drawings for drainage system.

DRAINAGE DETAILS
S.N. 016-1252

TYLIN INTERNATIONAL

DESIGNED -	DY	REVISIONS	
CHECKED -	AD,LS	NAME	DATE
DRAWN -	DY,EI		
CHECKED -	LS,SP,PDF		
DATE -	03/18/10		

SHEET NO. 37	F.A.I. RTE.	SECTION	COUNTY	TOTAL SHEETS	SHEET NO.
	57	1414.2B	COOK	516	350
62 SHEETS	CONTRACT NO. 60J27				
FED. ROAD DIST. NO. 1 ILLINOIS FED. AID PROJECT					