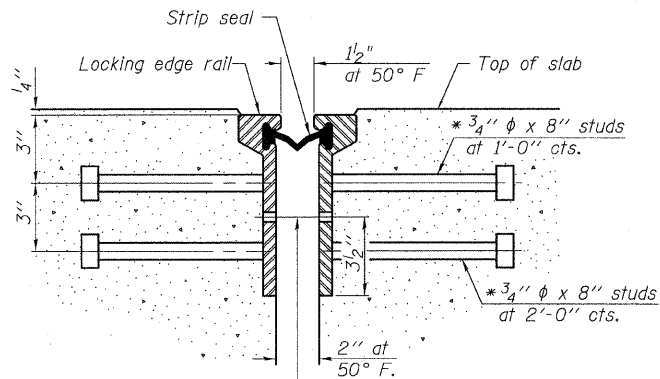


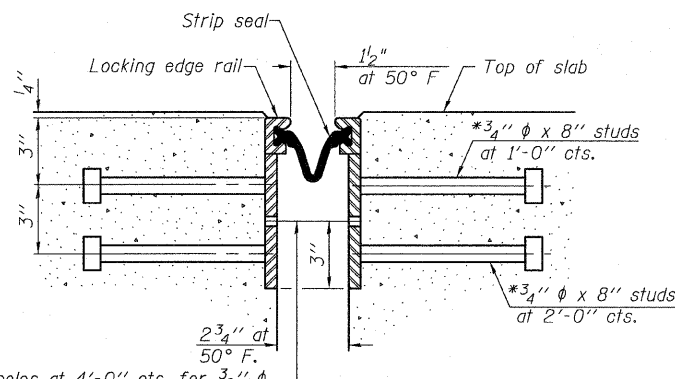
STATE OF ILLINOIS
DEPARTMENT OF TRANSPORTATION

* Granular or solid flux filled headed studs conforming to Article 1006.32 of the Std. Specs., automatically end welded.



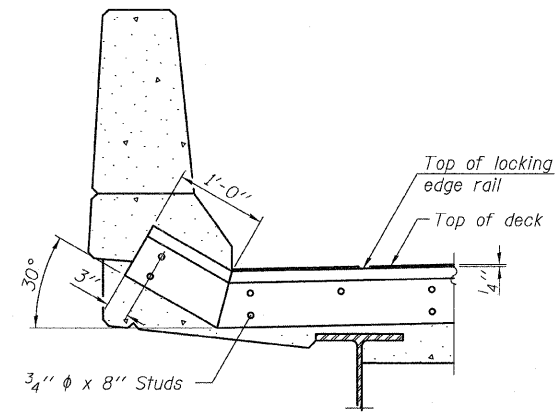
7/16" ϕ holes at 4'-0" cts. for 3/8" ϕ bolts. All bolts shall be burned, sawed, or chipped off flush with the plates after forms are removed, typ.

SECTION THRU ROLLED RAIL JOINT



7/16" ϕ holes at 4'-0" cts. for 3/8" ϕ bolts. All bolts shall be burned, sawed, or chipped off flush with the plates after forms are removed, typ.

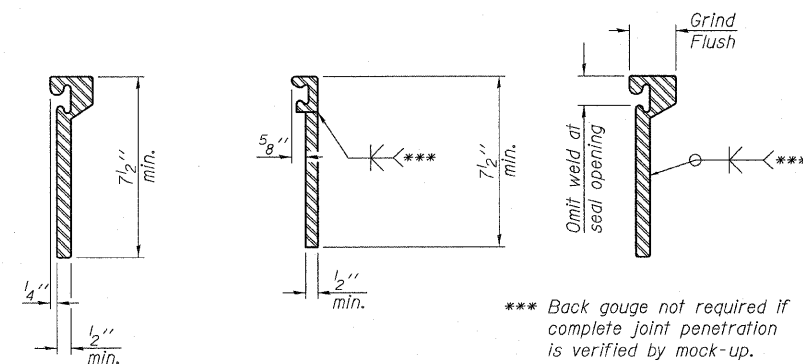
SECTION THRU WELDED RAIL JOINT



AT PARAPET
See Section A-A for end treatment of skews > 30°.

TYPICAL END TREATMENTS

Notes:
The strip seal shall be made continuous and shall have a minimum thickness of 1/4". The configuration of the strip seal shall match the configuration of the Locking Edge Rails. Open or "webbed" strip seal gland configurations are not permitted. The gland shall be sized for a maximum rated movement of 4 inches.
The Locking Edge Rails depicted are conceptual only, except for the minimum dimensions shown. The actual configuration of the Locking Edge Rails and matching strip seal may vary from manufacturer to manufacturer. Flanged edge rails will not be allowed. Locking Edge Rails may be spliced at slope discontinuities.
The manufacturer's recommended installation methods shall be followed.
The joint opening and deck dimensions detailed on the superstructure are based on a rolled rail expansion joint. If the Contractor elects to use the welded rail expansion joint, the opening and deck dimensions shall be modified according to the dimensions detailed on this sheet. Required modifications shall be made at no additional cost to the State.
All steel components shall be galvanized after fabrication according to Article 520.03 of the Standard Specifications.
Maximum space between rail segments at stage lines shall be 3/16", sealed with a suitable sealant.
The expansion joint shall not be continuous across the open joint that separates each bound of traffic. Each Abutment location will have individual expansion joints for C-D Road A, NB I-57 and SB I-57 with end treatments at each parapet as shown on this sheet.

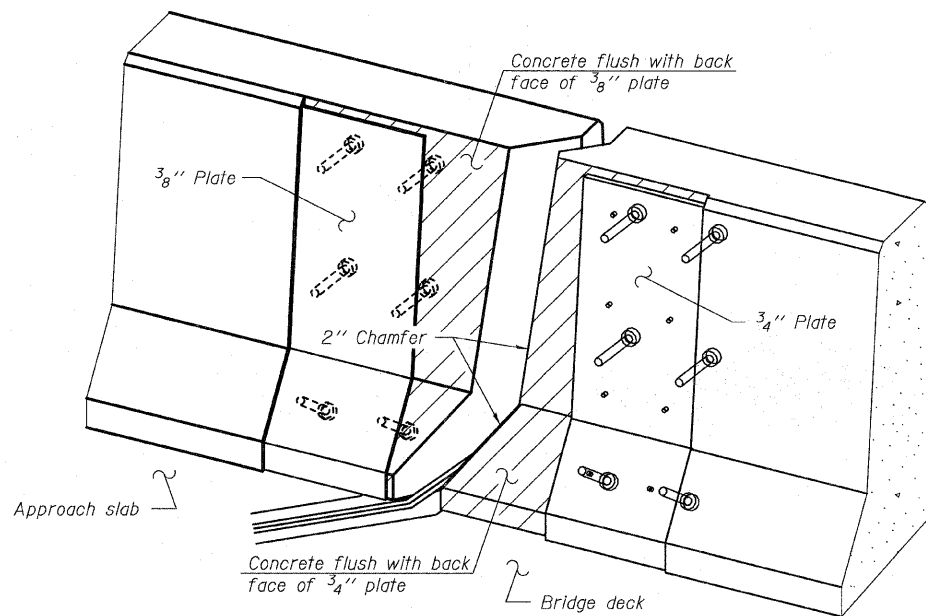


ROLLED EXTRUDED RAIL

WELDED RAIL

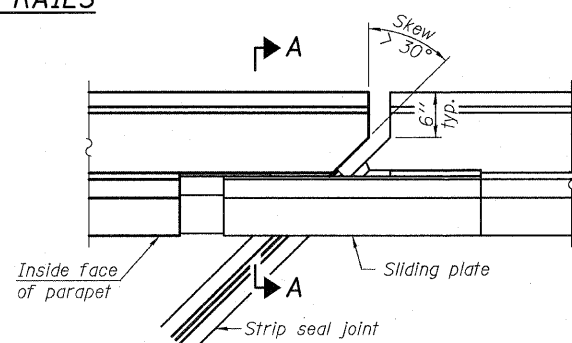
LOCKING EDGE RAIL SPLICE

The inside of the locking edge rail groove shall be free of weld residue.
Rolled rail shown, welded rail similar.

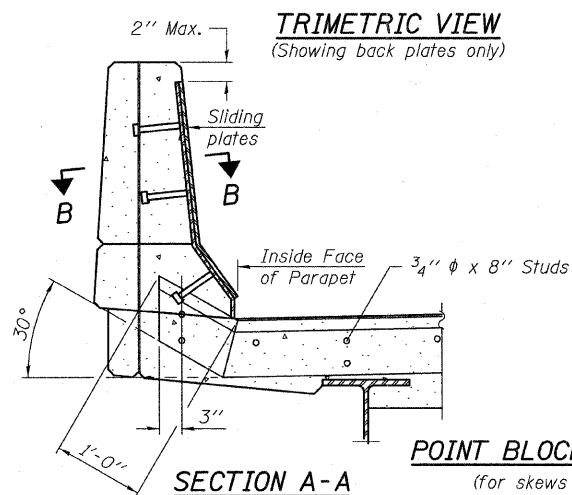


TRIMETRIC VIEW
(Showing back plates only)

LOCKING EDGE RAILS

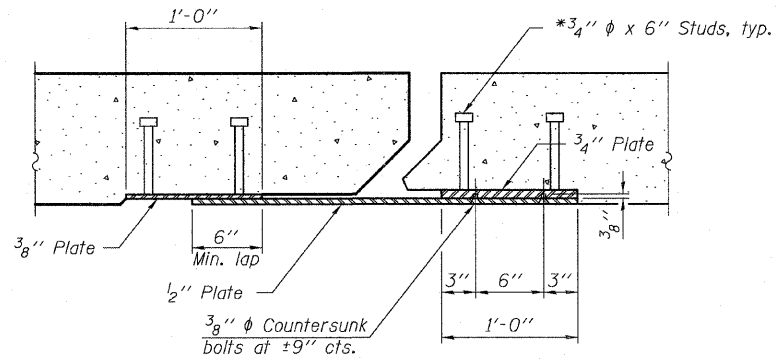


PLAN



SECTION A-A

POINT BLOCK DETAILS
(for skews > 30°)



SECTION B-B

BILL OF MATERIAL

Item	Unit	Total
Preformed Joint Strip Seal	Foot	385.0

**PREFORMED JOINT STRIP SEAL
STRUCTURE NO. 016-1252**

TYLIN INTERNATIONAL

EJ-SSJ 11-1-09

DESIGNED	DY	REVISIONS	
CHECKED	AD,LS	NAME	DATE
DRAWN	DY,EI		
CHECKED	LS,SP,PDF		
DATE	03/18/10		

SHEET NO. 39	F.A.I. RTE. 57	SECTION 1414.2B	COUNTY COOK	TOTAL SHEETS 516	SHEET NO. 352
62 SHEETS	FED. ROAD DIST. NO. 1 ILLINOIS		FED. AID PROJECT CONTRACT NO. 60J27		

P:\60254067-2941\STRUCTURAL\I-57 OVER RAMP BY F.I.N.I. submittal_03-17-2010\Final submittal_03-17-2010\0161252-60J27-039-EXP-JJ.dgn 9:54:35 AM 3/18/2010