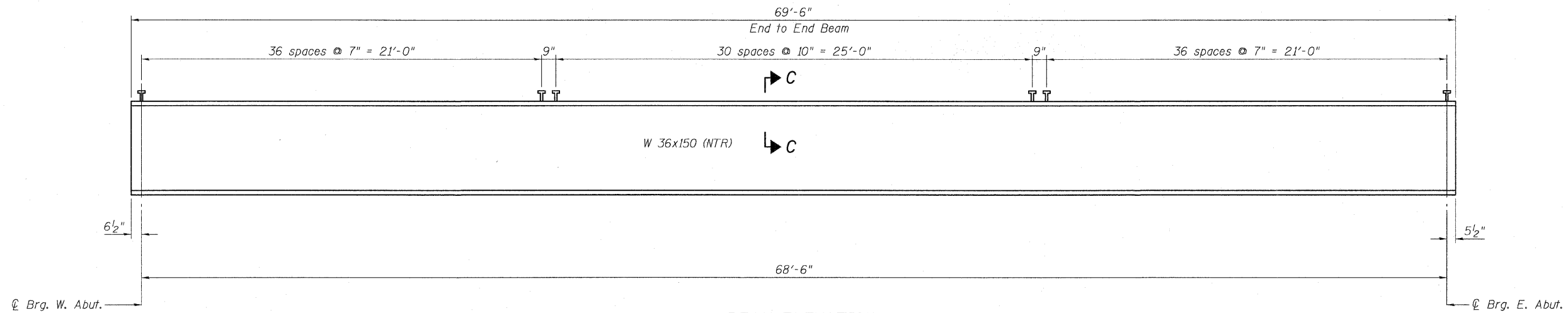
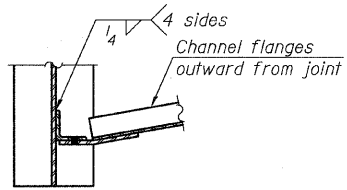


STATE OF ILLINOIS
DEPARTMENT OF TRANSPORTATION

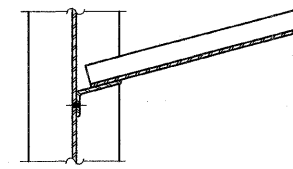


BEAM ELEVATION

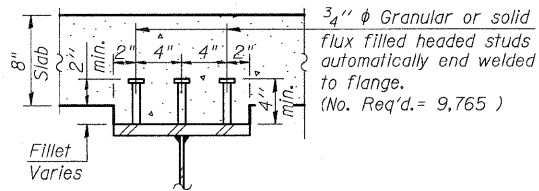
Load carrying components designated "NTR" shall conform to the Supplemental Requirements for Notch Toughness, Zone 2.



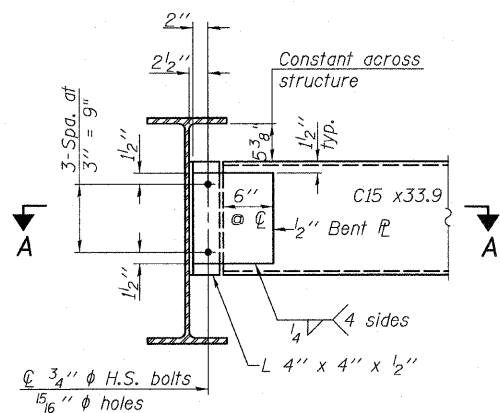
SECTION A-A



SECTION B-B



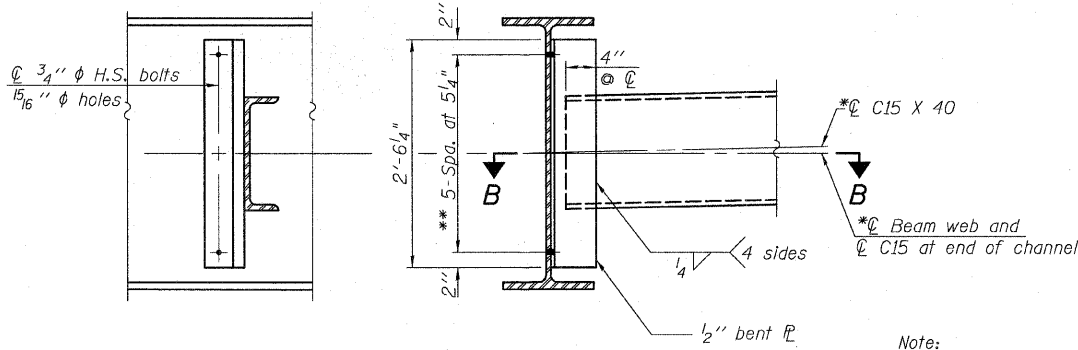
SECTION C-C



END DIAPHRAGM D1,D3

(44 - D1 required)
(12 - D3 required)

Note:
Two hardened washers required for each set of oversized holes.



INTERIOR DIAPHRAGM D2,D4

(44 - D2 required)
(12 - D4 required)

Note:
Two hardened washers required for each set of oversized holes.
*Alternate channels (C15 X 50) are permitted to facilitate material acquisition. Calculated weight of structural steel is based on the lighter section.
The alternate, if utilized, shall be provided at no additional cost to the Department.
**3/4" HS bolts, 5/16" holes

STRUCTURAL STEEL DETAILS
SN. 016-1252

| | | | | | | | | | | |
|----------------------------|---------------------|-----------|------|--------------|---|---------|--------|--------------|-----------|--|
| TYLIN INTERNATIONAL | DESIGNED - DY | REVISIONS | | SHEET NO. 41 | F.A.I. RTE. | SECTION | COUNTY | TOTAL SHEETS | SHEET NO. | |
| | CHECKED - AD,LS | NAME | DATE | | 57 | 1414.2B | COOK | 516 | 354 | |
| | DRAWN - DY,EI | | | | CONTRACT NO. 60J27 | | | | | |
| | CHECKED - LS,SP,PDF | | | | FED. ROAD DIST. NO. 1 ILLINOIS FED. AID PROJECT | | | | | |
| | DATE - 03/18/10 | | | | | | | | | |

P:\602540157-294\STRUCTURAL\1-57 OVER RAMP.BV\Final submittal_03-17-2010\Final submittal_03172010\0161252-60J27-041-FRAMING.DTL.dgn 9:54:39 AM 3/18/2010