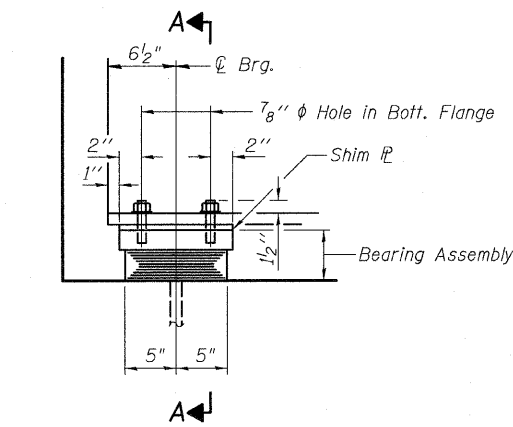
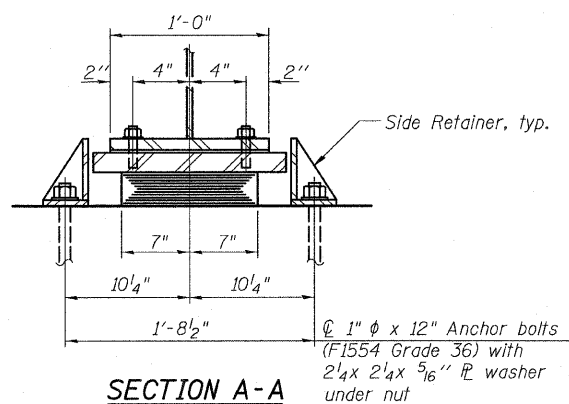


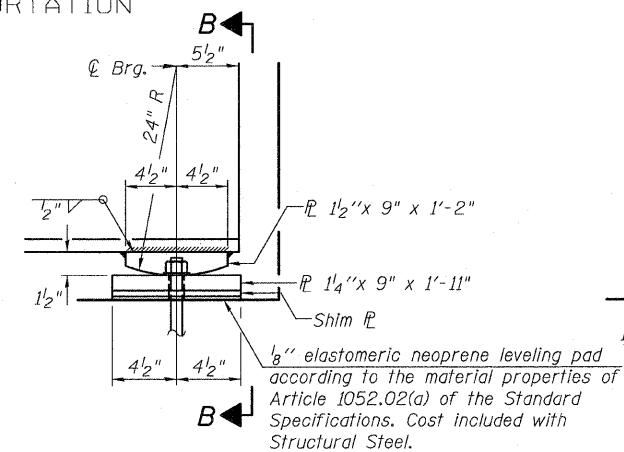
STATE OF ILLINOIS
DEPARTMENT OF TRANSPORTATION



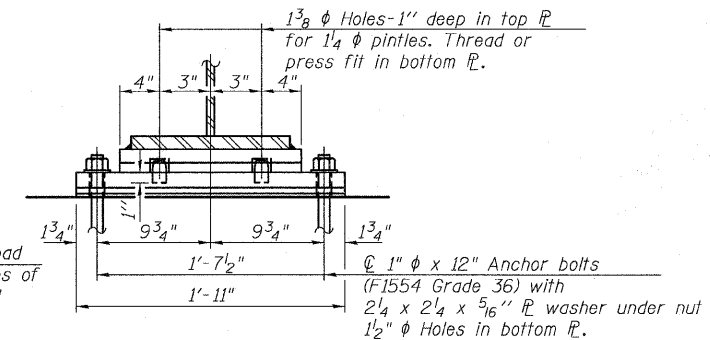
ELEVATION AT W. ABUT.



SECTION A-A

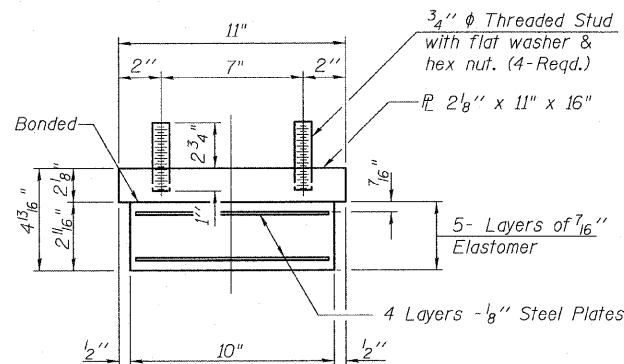


ELEVATION AT E. ABUT.



SECTION B-B

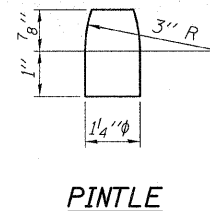
TYPE I ELASTOMERIC EXP. BRG.



BEARING ASSEMBLY

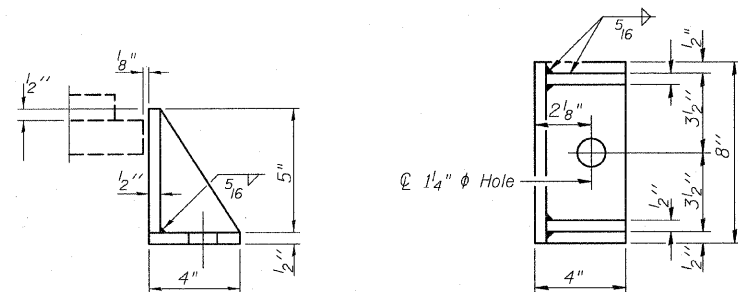
Note:
Shim plates shall not be placed under Bearing Assembly.

Notes:
Anchor bolts shall be ASTM F1554 all-thread (or an Engineer-approved alternate material) of the grade(s) and diameter(s) specified. ASTM A307 Grade C anchor bolts may be used in lieu of ASTM F1554 Grade 36 (Fy=36ksi). The corresponding specified grade of AASHTO M314 anchor bolts may be used in lieu of ASTM F1554.
Anchor bolts at fixed bearings may be either cast in place or installed in holes drilled after the supported member is in place.
Anchor bolts for side retainers may be cast in place or installed in holes drilled before or after members are in place.
Drilled and set anchor bolts shall be installed according to Article 521.06 of the Standard Specifications.
Side retainers and other steel members required for the bearing assembly shall be included in the cost of Elastomeric Bearing Assembly, Type I.



PINTLE

FIXED BEARING



SIDE RETAINER

Equivalent rolled angle with stiffeners will be allowed in lieu of welded plates.

BILL OF MATERIAL

Item	Unit	Total
Elastomeric Bearing Assembly Type I	Each	31
Anchor Bolts, 1"	Each	124

BEARING DETAILS
STRUCTURE NO. 016-1252

I-2E-1

11-1-09

TYLIN INTERNATIONAL	DESIGNED - DY	REVISIONS		SHEET NO. 42	F.A.I. RTE. 57	SECTION 1414.2B	COUNTY COOK	TOTAL SHEETS	SHEET NO.
	CHECKED - AD,LS	NAME	DATE					516	355
	DRAWN - DY,EI							CONTRACT NO. 60J27	
	CHECKED - LS,SP,PDF							FED. ROAD DIST. NO. 1 ILLINOIS FED. AID PROJECT	
	DATE - 03/18/10								

P:\602540\57-294\STRUCTURAL\1-57-OVER RAMP.BX\Final.submittal.03-17-2010\Final.submittal.03172010\0161252-60J27-012-BRG-DTL.dgn 9:54:40 AM 3/18/2010